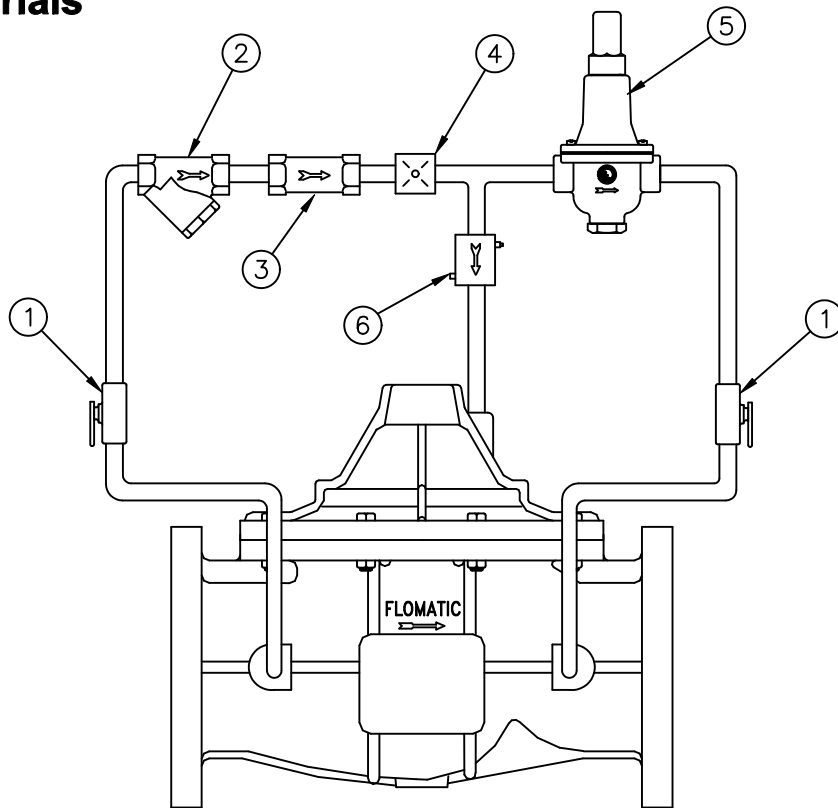
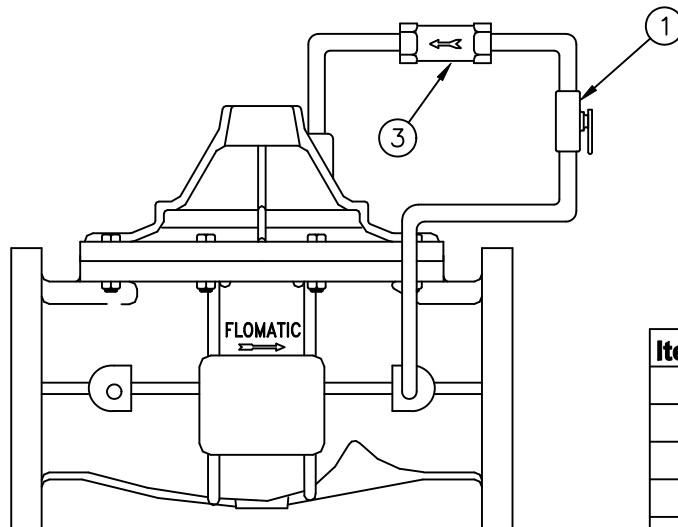


Materials



Front of Valve



Back of Valve

Item #	Qty	Description
1	3	Shut-Off Valve
2	1	Strainer
3	2	Check Valve
4	1	Orifice (or Needle Valve)
5	1	Pilot Valve
6	1	Flow Control

Flomatic Corporation can accept no responsibility for possible errors in catalogues, brochures and other printed material. Flomatic Corporation reserves the right to alter its products without notices. This also applies to product already agreed. All trademarks in this material are property of the respective companies. All right reserved. ©2011 Flomatic Corporation. The drawings & information on this drawing sheet are the sole & exclusive property of Flomatic Corporation. Any reproduction, distribution, display or use of these drawings or information in whole or in part without written authorization of Flomatic Corporation is strictly prohibited.