

# Strainer

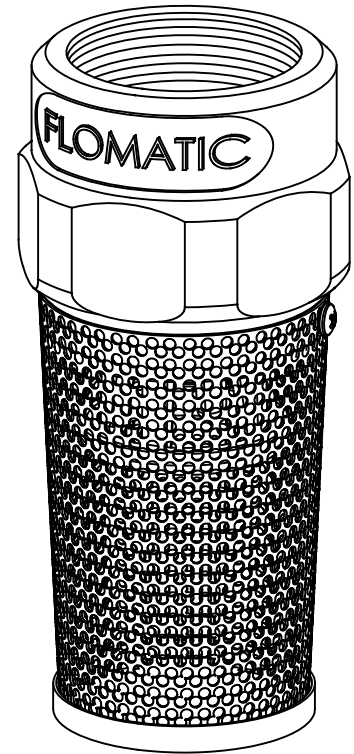
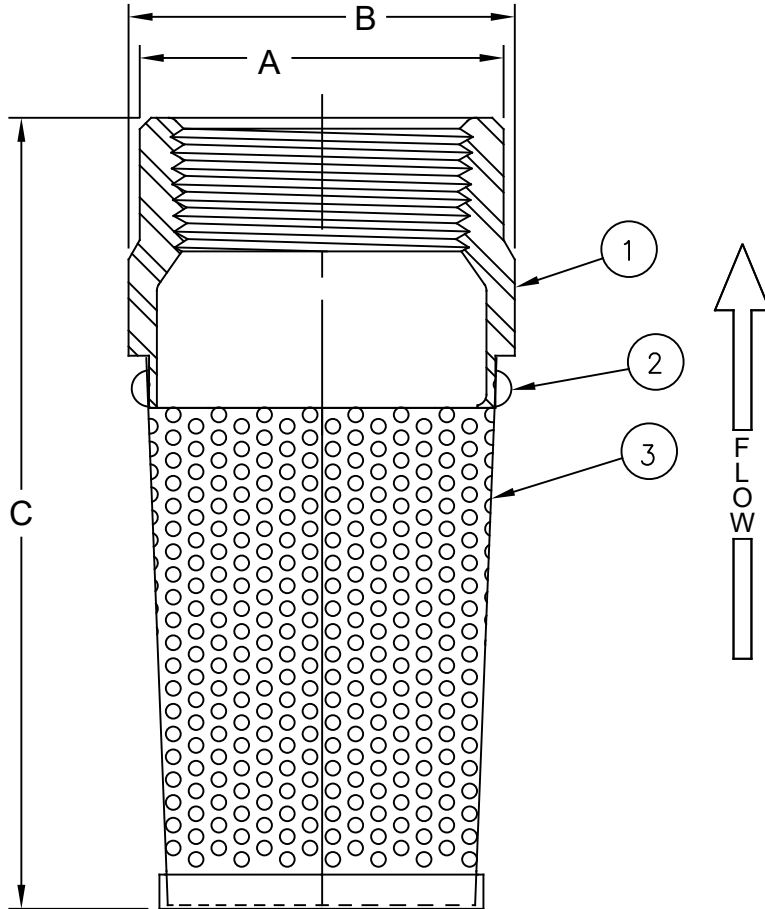
# Model 6SS



Sizes 1" & 1-1/4" / 25 mm & 32 mm



## Materials



Open Area: 35-40%  
 Max Temp 180°F (82°C)  
 Max Pressure 250psi (18bar)

Item #	Qty	Description	Material	ASTM	Item #	Qty	Description	Material	ASTM
1	1	Body	Stainless Steel	303	3	1	Screen	Stainless Steel	304
2	1	Screw	Stainless Steel	18-8					

## Dimensions (FNPT)

ANSI B1.20.1

Size		Part #	A		B		C		Weight	
inch	mm		inch	mm	inch	mm	inch	mm	lbs	kg
1	25	4371SS	1-45/64	43	1-15/16	49	4-21/64	110	19/32	.27
1-1/4	32	4372SS	1-61/64	50	2-7/64	54	4-21/64	110	19/32	.27

Flomatic Corporation can accept no responsibility for possible errors in catalogues, brochures and other printed material. Flomatic Corporation reserves the right to alter its products without notices. This also applies to product already agreed. All trademarks in this material are property of the respective companies. All rights reserved. ©2021 Flomatic Corporation. The drawings & information on this drawing sheet are the sole & exclusive property of Flomatic Corporation. Any reproduction, distribution, display or use of these drawings or information in whole or in part without written authorization of Flomatic Corporation is strictly prohibited. [www.flomatic.com](http://www.flomatic.com)



June 10, 2011  
 Dwg No: S4371S Rev: D (11/21)

FLOMATIC CORPORATION  
 GLENS FALLS, N.Y. 12801  
 PHONE (518) 761-9797  
 FAX (518) 761-9798