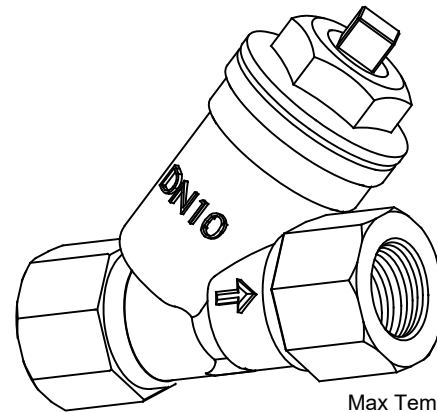
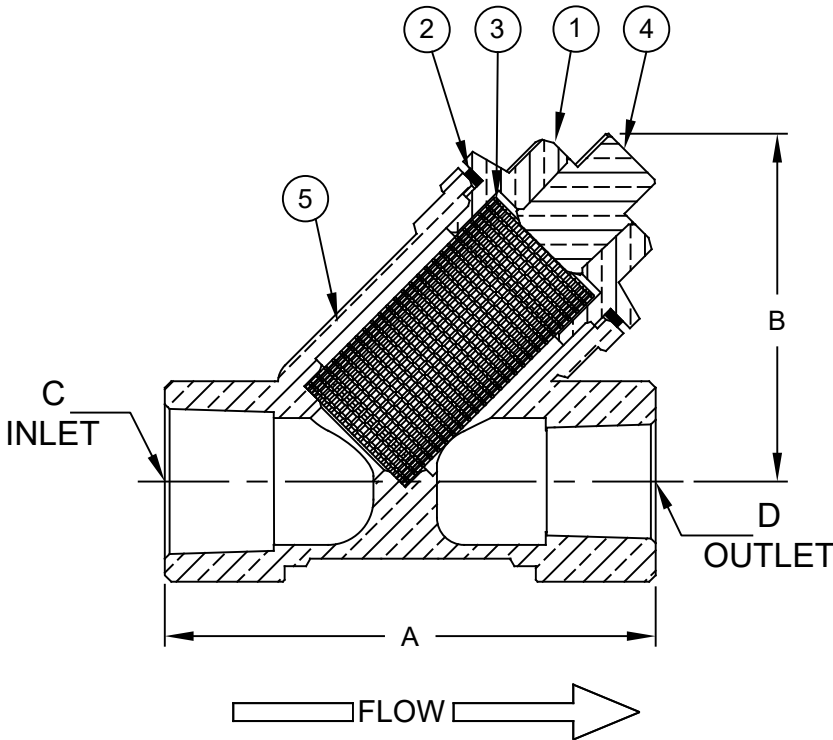


Strainer

Size 3/8" x 1/4" / 10 mm x 8mm



Material (Unleaded Bronze)



Max Temp 180°F (82°C)
Max Pressure 400 psi (28 bar)

Item #	Qty	Description	Material	ASTM
1	1	Cap	Bronze	C37700
2	1	Gasket	Non-Asbestos	----
3	1	Screen	Stainless Steel	304
4	1	Plug	Bronze	C37700
5	1	Body	Bronze	C89833

Dimensions (FNPT x FNPT)

ANSI B1.20.1

Size		Part #	A		B		C		D		Mesh
inch	mm		inch	mm	inch	mm	inch	mm	inch	mm	
3/8 X 1/4	10 X 8	8710E	2-1/8	54	1-1/2	38	3/8	10	1/4	8	20

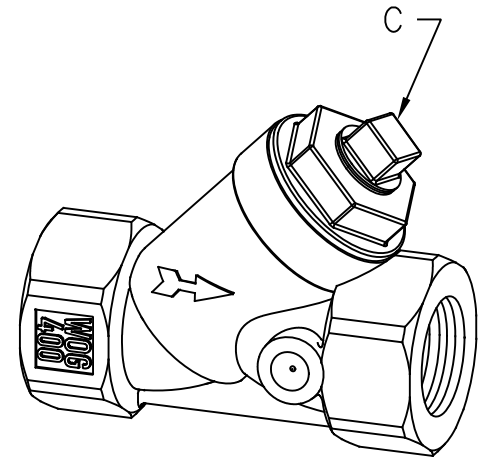
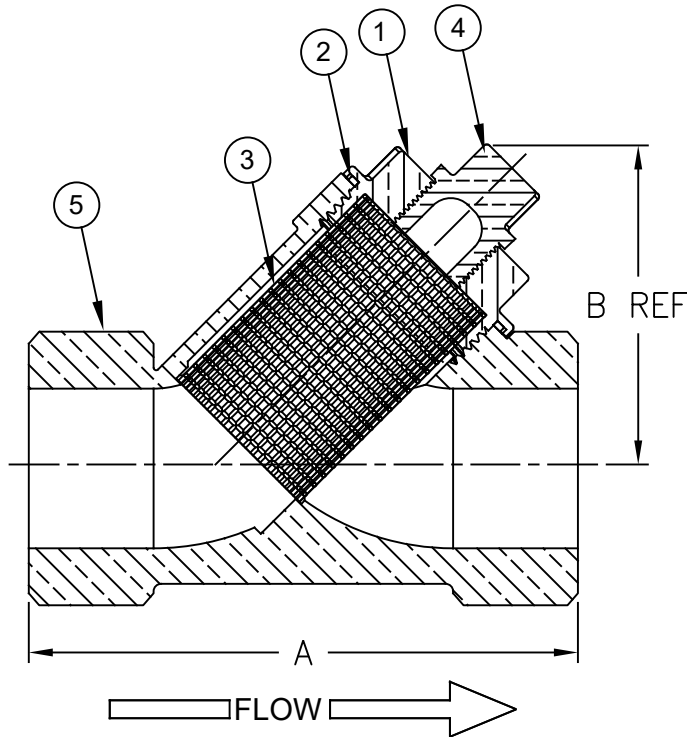
Flomatic Corporation can accept no responsibility for possible errors in catalogues, brochures and other printed material. Flomatic Corporation reserves the right to alter its products without notices. This also applies to product already agreed. All trademarks in this material are property of the respective companies. All rights reserved. ©2022 Flomatic Corporation. The drawings & information on this drawing sheet are the sole & exclusive property of Flomatic Corporation. Any reproduction, distribution, display or use of these drawings or information in whole or in part without written authorization of Flomatic Corporation is strictly prohibited. www.flomatic.com

Strainer

Sizes 3/8" Thru 2" / 10 mm Thru 50 mm



Material (Unleaded Bronze)



Max Temp 180°F (82°C)
Max Pressure 400 psi (28 bar)

Item #	Qty	Description	Material	ASTM
1	1	Cap	Bronze	C24000 / B36
2	1	Gasket	Buna-N	----
3	1	Screen (20 mesh)	Stainless Steel	303
4	1	Plug	Bronze	C24000 / B36
5	1	Body	Bronze	C24000 / B36

Dimensions (FNPT x FNPT)

ANSI B1.20.1

Size		Part #	A		B REF		C NPT	Weight	
inch	mm		inch	mm	inch	mm		lbs	kg
3/8	10	8711E	2.4	61	1.6	41	1/4	.45	.20
1/2	15	8712E	2.8	71	1.63	42	1/4	.50	.23
3/4	20	8713E	3.2	81	1.9	48	1/4	.85	.39
1	25	8714E	3.8	96	2.5	64	1/2	1.3	.59
1-1/4	32	87142E	4.4	112	2.5	64	1/2	2.0	.91
1-1/2	40	87143E	4.9	125	3.0	76	3/4	2.7	1.2
2	50	87144E	5.9	150	3.9	99	1	4.6	2.1

Flomatic Corporation can accept no responsibility for possible errors in catalogues, brochures and other printed material. Flomatic Corporation reserves the right to alter its products without notices. This also applies to product already agreed. All trademarks in this material are property of the respective companies. All rights reserved. ©022 Flomatic Corporation. The drawings & information on this drawing sheet are the sole & exclusive property of Flomatic Corporation. Any reproduction, distribution, display or use of these drawings or information in whole or in part without written authorization of Flomatic Corporation is strictly prohibited. www.flomatic.com

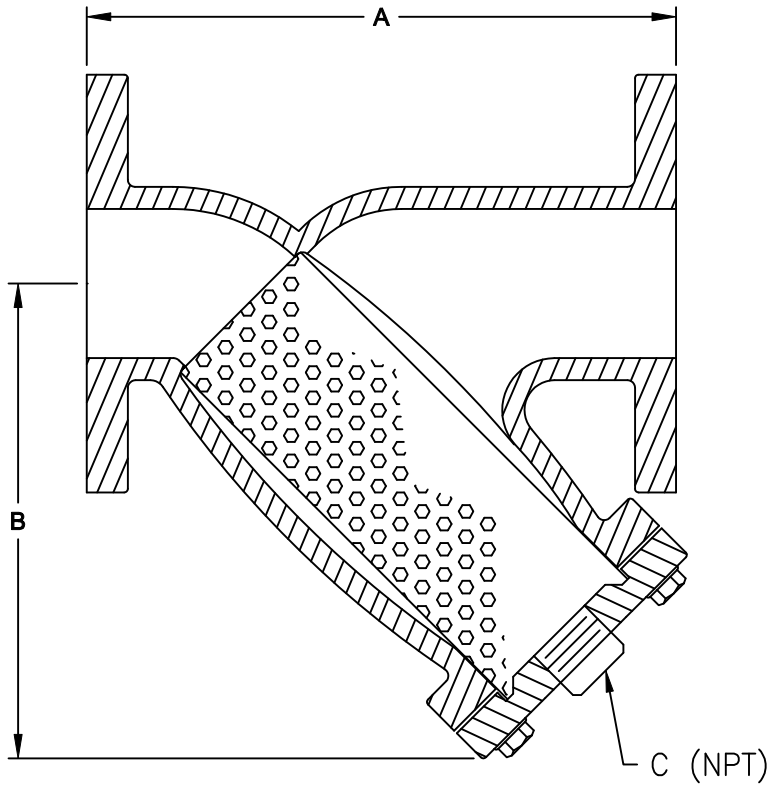
Strainer

Sizes 2-1/2" Thru 8" / 65 mm Thru 200 mm

FLOMATIC
Flomatic Corporation



Material (Cast Iron)



ANSI 125# Flange

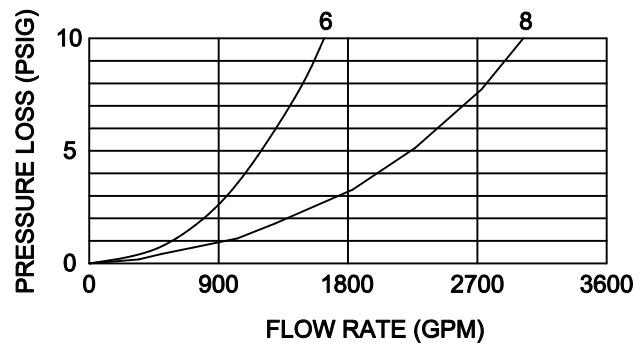
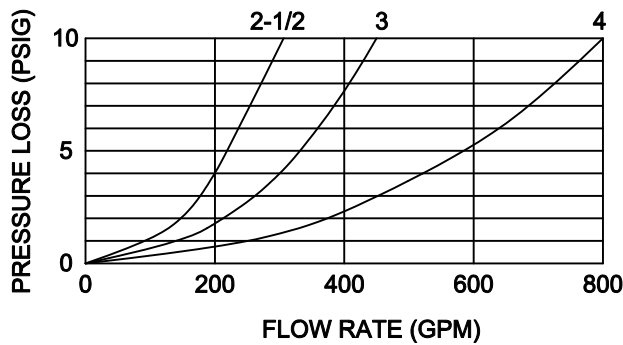
Perforated metal screen

Rated 200 psi WOG & 125 psi Steam

Conforms to MIL-S-16293F, Type 2

Fusion Epoxy Coating

Flow Data



Dimensions

Size		Part #	A		B		C (NPT)		Hole Ø	Screen Thickness	Holes per sq/in	Weight	
inch	mm		inch	mm	inch	mm	inch	mm				lbs	kg
2-1/2	65	87145	10.75	273	7.25	184	.5	15	.045	.020	225	35	16
3	80	87146	11.5	292	8.19	208	.5	15	.045	.020	225	52	24
4	100	87147	13.86	352	9.5	241	.5	15	.062	.020	98	75	34
6	150	87148	18.5	470	12.8	325	1.5	38	.062	.020	98	154	70
8	200	87149	21.38	543	15.75	400	1.5	38	.125	.020	29	243	110

Flomatic Corporation can accept no responsibility for possible errors in catalogues, brochures and other printed material. Flomatic Corporation reserves the right to alter its products without notices. This also applies to product already agreed. All trademarks in this material are property of the respective companies. All right reserved. ©2016 Flomatic Corporation. The drawings & information on this drawing sheet are the sole & exclusive property of Flomatic Corporation. Any reproduction, distribution, display or use of these drawings or information in whole or in part without written authorization of Flomatic Corporation is strictly prohibited.