

Foot Valve

Model 124P

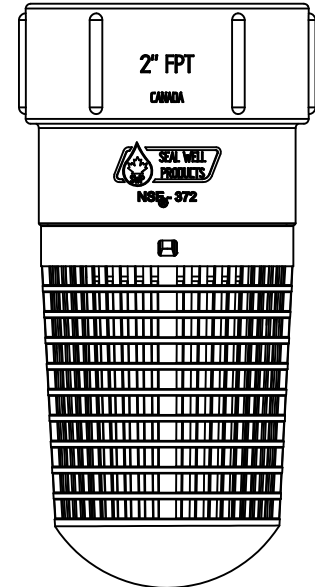
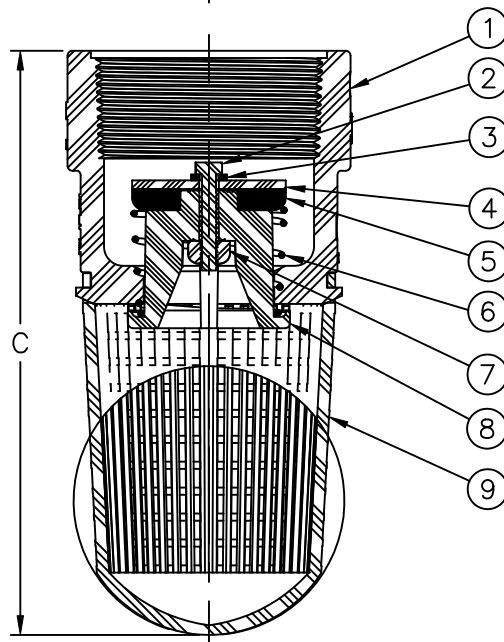
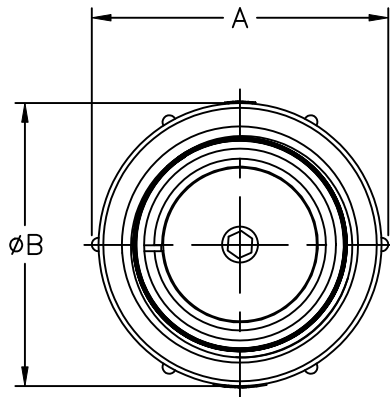


Flomatic Corporation

Sizes 2" / 50mm



Materials



Open Area: 40-42%
 Max Temp 73°F (22°C)
 Max Pressure 150psi (10bar)

| Item # | Qty | Description | Material | ASTM | Item # | Qty | Description | Material | ASTM |
|--------|-----|-------------|-----------------|-------|--------|-----|-------------|-----------------|-------|
| 1 | 1 | Body | PVC | ----- | 6 | 1 | Spring | Stainless Steel | 304 |
| 2 | 1 | Screw | Stainless Steel | 304 | 7 | 1 | Nut | Stainless Steel | 304 |
| 3 | 1 | Washer | Stainless Steel | 304 | 8 | 1 | Guide | Acteal | ----- |
| 4 | 1 | Seat Washer | Stainless Steel | 304 | 9 | 1 | Screen | Polypropylene | ----- |
| 5 | 1 | Disc | Buna-N | ----- | | | | | |

Dimensions (Female NPT)

| Size | | Part # | A | | ØB | | C | | Weight | |
|------|----|--------|--------|----|---------|----|--------|-----|--------|-----|
| inch | mm | | inch | mm | inch | mm | inch | mm | lbs | kg |
| 2 | 50 | 5735P | 3-3/32 | 78 | 2-61/64 | 67 | 6-3/32 | 155 | .58 | .26 |

Flomatic Corporation can accept no responsibility for possible errors in catalogues, brochures and other printed material. Flomatic Corporation reserves the right to alter its products without notices. This also applies to product already agreed. All trademarks in this material are property of the respective companies. All right reserved. ©2011 Flomatic Corporation. The drawings & information on this drawing sheet are the sole & exclusive property of Flomatic Corporation. Any reproduction, distribution, display or use of these drawings or information in whole or in part without written authorization of Flomatic Corporation is strictly prohibited.



August 10, 2015
 Dwg No: S5735P Rev 0

FLOMATIC CORPORATION
 GLENS FALLS, N.Y. 12801
 PHONE (518) 761-9797
 FAX (518) 761-9798