

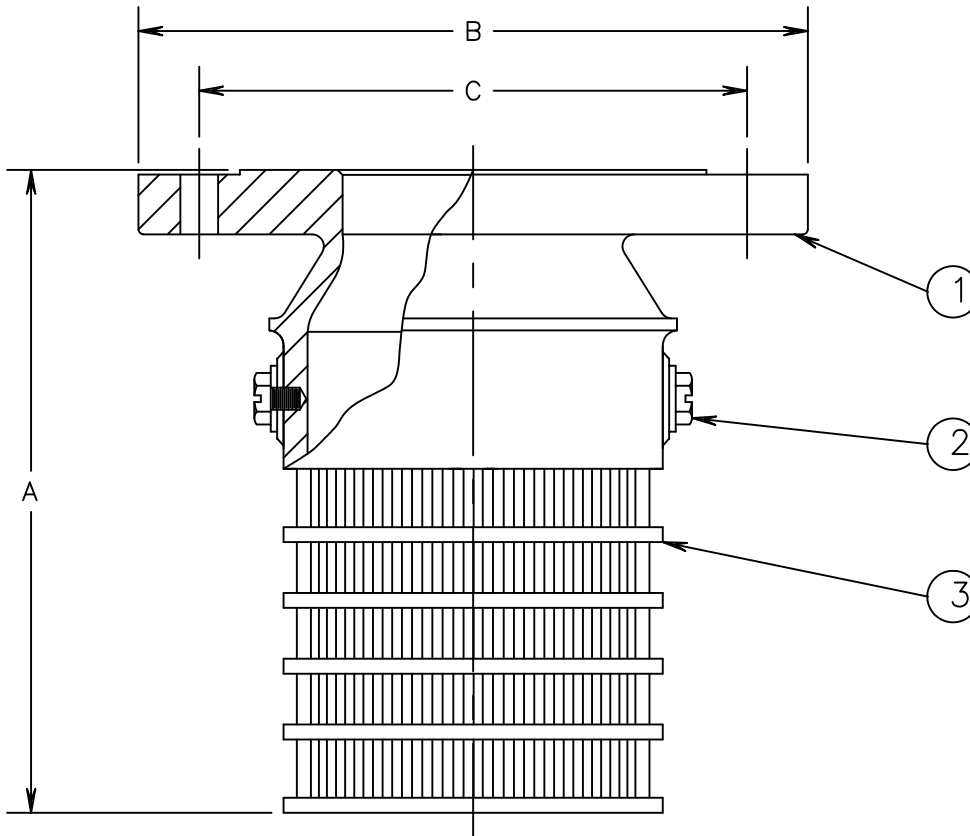
Strainer

Model 46



Sizes 2" Thru 4" / 50mm Thru 100mm

Materials



Open Area: 35-50%
 Max Temp 180°F (82°C)
 Max Pressure 250psi (18bar)

Item #	Qty	Description	Material	ASTM	Item #	Qty	Description	Material	ASTM
1	1	Flange <small>(Epoxy Coated)</small>	Cast Iron	A-48	3	1	Screen	Polypropylene	-----
2	2	Type F Screw	Plated Steel	-----					

Dimensions (ANSI Class 125# Flange)

Size		Part #	A		B		C		Weight	
Inch	mm		Inch	mm	Inch	mm	Inch	mm	lbs	kg
2	50	5814P	5	127	6-1/2	165	4-3/4	121	4-1/2	2
2-1/2	65	5815P	5-7/8	149	7-9/32	184	5-1/2	140	6	3
3	80	5816P	7-3/64	179	7-7/8	200	6	152	8-1/4	4
4	100	5817P	8-15/32	215	8-21/32	220	7-1/2	191	10-3/4	5

Fromatic Corporation can accept no responsibility for possible errors in catalogues, brochures and other printed material. Fromatic Corporation reserves the right to alter its products without notices. This also applies to product already agreed. All trademarks in this material are property of the respective companies. All right reserved. ©2011 Fromatic Corporation. The drawings & information on this drawing sheet are the sole & exclusive property of Fromatic Corporation. Any reproduction, distribution, display or use of these drawings or information in whole or in part without written authorization of Fromatic Corporation is strictly prohibited.



August 12, 1994
 Dwg No: S5814-7P Rev: E (2/14)

FLOMATIC CORPORATION
 GLENS FALLS, N.Y. 12801
 PHONE (518) 761-9797
 FAX (518) 761-9798