

Foot Valve

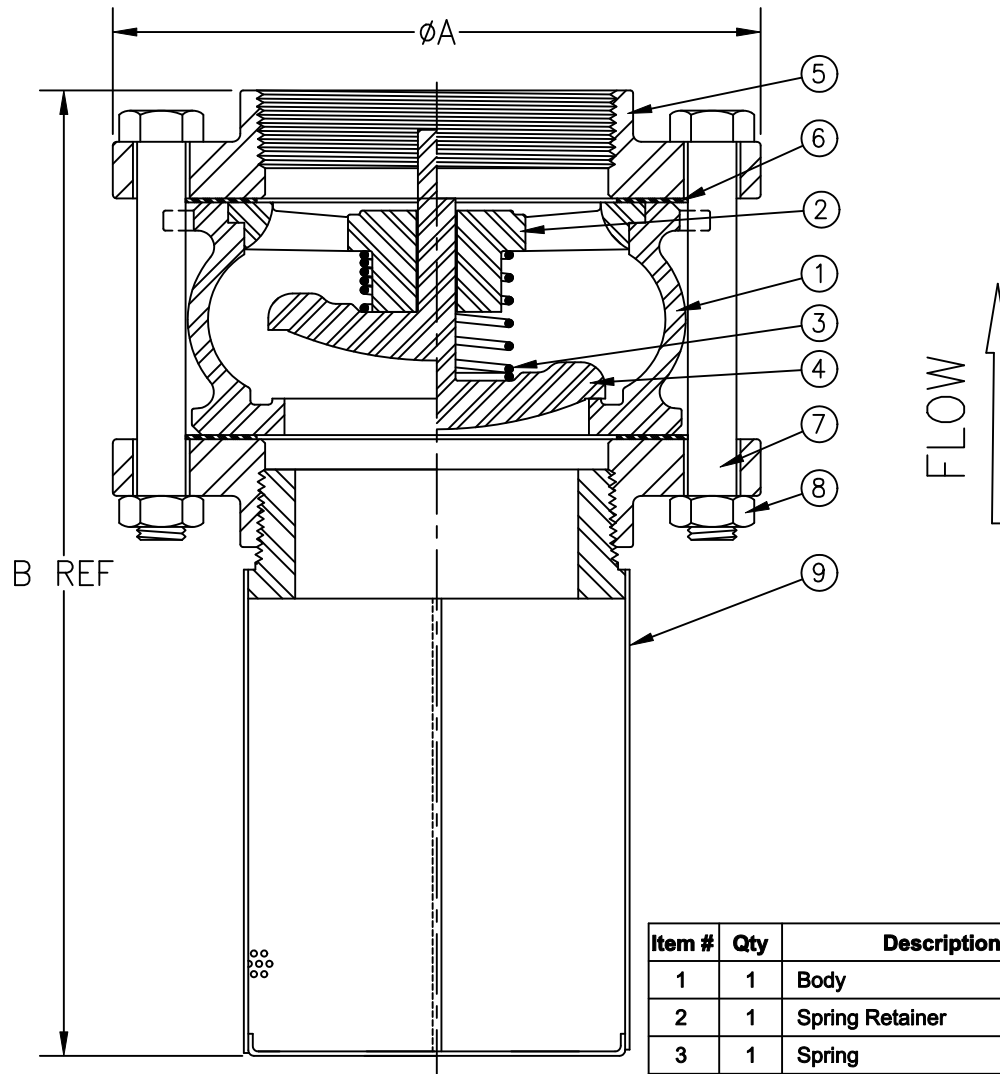
Model 812XTF



Sizes 5" Thru 8" / 125 mm & 200 mm



Materials



Open Area: 45%
 Max Temp 400°F (200°C)
 Max Pressure 300psi (21bar)

Item #	Qty	Description	Material	ASTM
1	1	Body	Stainless Steel	316
2	1	Spring Retainer	Stainless Steel	316
3	1	Spring	Stainless Steel	316
4	1	Seat Disc	Stainless Steel	316
5	2	End Flange	Stainless Steel	316
6	2	End Flange Gasket	Teflon	-----
7	AR	Hex Head Bolt	Stainless Steel	316
8	AR	Hex Nut	Stainless Steel	316
9	1	Screen*	Stainless Steel	316

Dimensions

Size		Part #	A		B (REF)		Weight	
inch	mm		inch	mm	inch	mm	lbs	kg
5	125	2429XTF	10	254	VARIES		69	31
6	150	2430XTF	11	279	15-1/2	394	87	39
8	200	2431XTF	13-1/2	343	VARIES		151	68

Fomatic Corporation can accept no responsibility for possible errors in catalogues, brochures and other printed material. Fomatic Corporation reserves the right to alter its products without notices. This also applies to product already agreed. All trademarks in this material are property of the respective companies. All right reserved. ©2011 Fomatic Corporation. The drawings & information on this drawing sheet are the sole & exclusive property of Fomatic Corporation. Any reproduction, distribution, display or use of these drawings or information in whole or in part without written authorization of Fomatic Corporation is strictly prohibited.



October 15, 2004
 Dwg No: S812XTF4 Rev B (7/13)

FLOMATIC CORPORATION
 GLENS FALLS, N.Y. 12801
 PHONE (518) 761-9797
 FAX (518) 761-9798