

# Foot Valve

# Model 193D

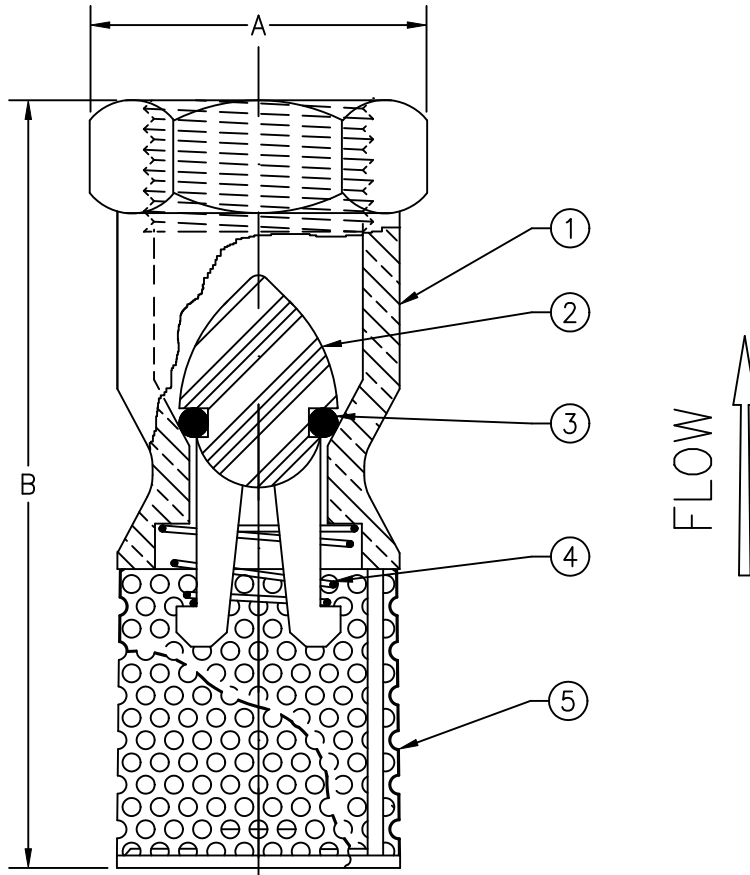


Flomatic Corporation

Sizes 3/8" & 1/2" / 10mm & 15mm



## Materials



Open Area: 60%  
 Max Temp 140°F (60°C)  
 Max Pressure 150psi (10bar)

Item #	Qty	Description	Material	ASTM
1	1	Body	Polyacetal	-----
2	1	Poppet	Polyamid	-----
3	1	Seal	Viton	-----
4	1	Spring	Stainless Steel	18-8
5	1	Strainer	Polyethylene	-----

## Dimensions

Size		Part #	A		B		Weight	
inch	mm		inch	mm	inch	mm	lbs	kg
3/8	10	5619	29/32	23	2-1/4	59	9/64	.06
1/2	15	5620	15/16	24	2-1/4	59	7/64	.05

Flomatic Corporation can accept no responsibility for possible errors in catalogues, brochures and other printed material. Flomatic Corporation reserves the right to alter its products without notices. This also applies to product already agreed. All trademarks in this material are property of the respective companies. All right reserved. ©2011 Flomatic Corporation. The drawings & information on this drawing sheet are the sole & exclusive property of Flomatic Corporation. Any reproduction, distribution, display or use of these drawings or information in whole or in part without written authorization of Flomatic Corporation is strictly prohibited.



January 15, 1998  
 Dwg No: S193D Rev: B (2/14)

FLOMATIC CORPORATION  
 GLENS FALLS, N.Y. 12801  
 PHONE (518) 761-9797  
 FAX (518) 761-9798