

Foot Valve

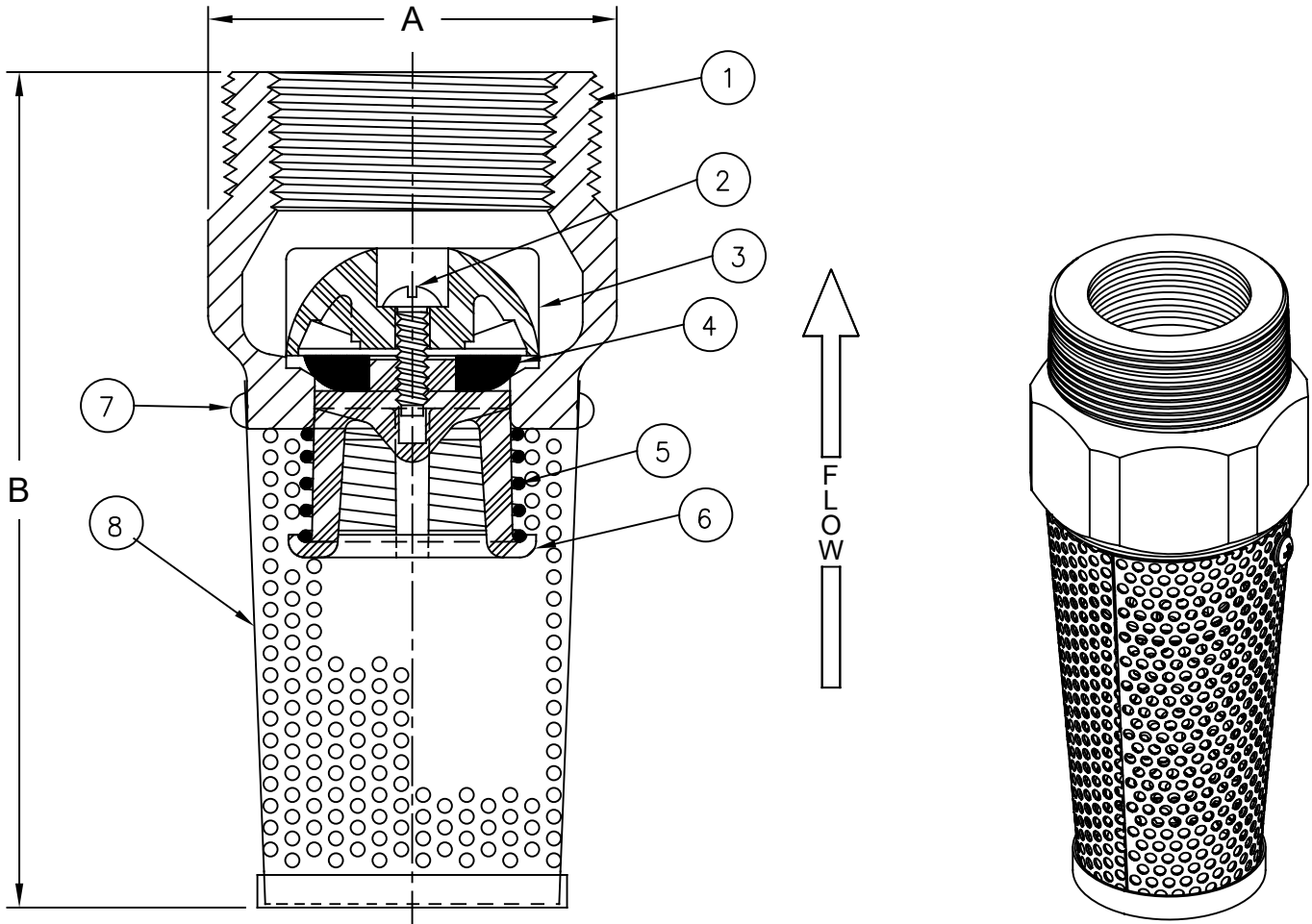
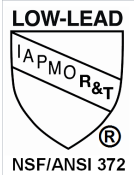
Model 333DPE



Sizes 1" x 1-1/4" / 25 mm x 32 mm
1-1/4" x 1-1/2" / 32mm x 40 mm

Materials

Enviro Check®



Max Temp 180°F (82°C)
Max Pressure 250psi (18bar)

Item #	Qty	Description	Material	ASTM	Item #	Qty	Description	Material	ASTM
1	1	Body	Unleaded Bronze	C89833	5	1	Spring	Stainless Steel	302
2	1	Screw	Stainless Steel	302	6	1	Guide*	Celcon	GC10
3	1	Dome*	Delrin	500P	7	1	Screw	Stainless Steel	18-8
4	1	Disc	Buna-n	N-5007	8	1	Screen	Stainless Steel	304

Dimensions (FNPT / MNPT)

*1-1/4" uses a Washer 18-8 Stainless Steel
*1-1/4" Guide is Delrin 500P

ANSI B1.20.1

Size		Part #	A		B		Weight	
inch	mm		inch	mm	inch	mm	lbs	kg
1 x 1-1/4	25 x 32	4181E	1-15/16	49	4-13/16	122	39/64	.27
1-1/4 x 1-1/2	32 x 40	4182E	2-11/32	60	4-53/64	123	51/64	.36

Patent # 4,971,093

Flomatic Corporation can accept no responsibility for possible errors in catalogues, brochures and other printed material. Flomatic Corporation reserves the right to alter its products without notices. This also applies to product already agreed. All trademarks in this material are property of the respective companies. All rights reserved. ©2021 Flomatic Corporation. The drawings & information on this drawing sheet are the sole & exclusive property of Flomatic Corporation. Any reproduction, distribution, display or use of these drawings or information in whole or in part without written authorization of Flomatic Corporation is strictly prohibited. www.flomatic.com



January 15, 1998
Dwg No: S4181E Rev: G (11/21)

FLOMATIC CORPORATION
GLENS FALLS, N.Y. 12801
PHONE (518) 761-9797
FAX (518) 761-9798