

# Ball Check Valve

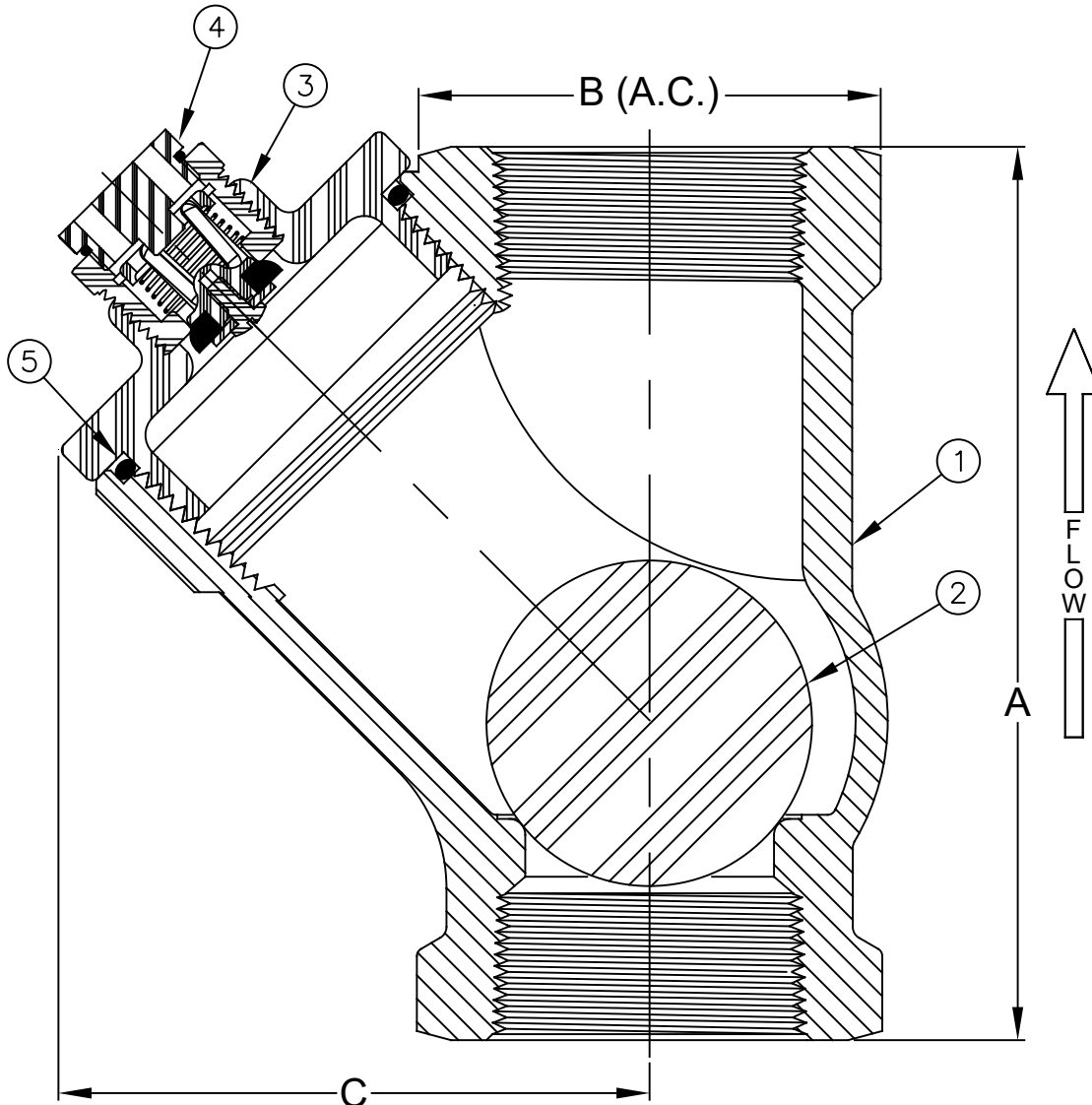
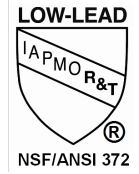
Sizes 2" / 50 mm

Model 208



Flomatic Corporation

## Materials (with Air Bleeder)



Max Temp 180°F (82°C)  
Max Inlet Pressure 150 psi (10 bar)

| Item # | Qty | Description         | Material  | ASTM  |
|--------|-----|---------------------|-----------|-------|
| 1      | 1   | Body (Epoxy Coated) | Cast Iron | A308  |
| 2      | 1   | Ball (Sinking)      | Buna-N    | ----- |
| 3      | 1   | Cover               | PVC       | ----- |
| 4      | 1   | Model 77            | PVC       | ----- |
| 5      | 1   | O-Ring              | Buna-N    | ----- |

## Dimensions (FNPT X FNPT)

ANSI B1.20.1

| Size |    | Part # | A     |     | B     |    | C      |     | Weight |    |
|------|----|--------|-------|-----|-------|----|--------|-----|--------|----|
| inch | mm |        | inch  | mm  | inch  | mm | inch   | mm  | lbs    | kg |
| 2    | 50 | 2142-1 | 6-3/4 | 171 | 3-1/2 | 89 | 4-3/16 | 106 | 9      | 4  |

Flomatic Corporation can accept no responsibility for possible errors in catalogues, brochures and other printed material. Flomatic Corporation reserves the right to alter its products without notices. This also applies to product already agreed. All trademarks in this material are property of the respective companies. All rights reserved. ©2021 Flomatic Corporation. The drawings & information on this drawing sheet are the sole & exclusive property of Flomatic Corporation. Any reproduction, distribution, display or use of these drawings or information in whole or in part without written authorization of Flomatic Corporation is strictly prohibited. [www.flomatic.com](http://www.flomatic.com)



February 17, 1998  
Dwg No:S2142-1 Rev: H (2/21)

FLOMATIC CORPORATION  
GLENS FALLS, N.Y. 12801  
PHONE (518) 761-9797  
FAX (518) 761-9798