

Ball Check Valve

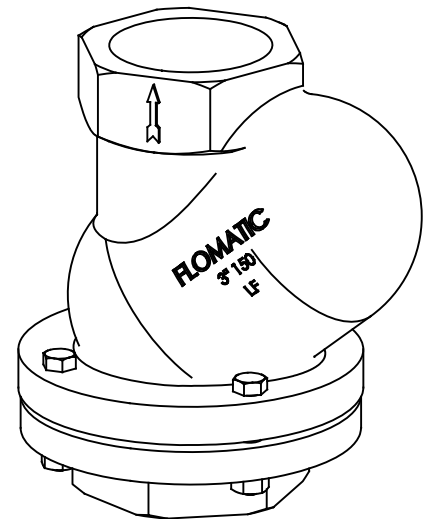
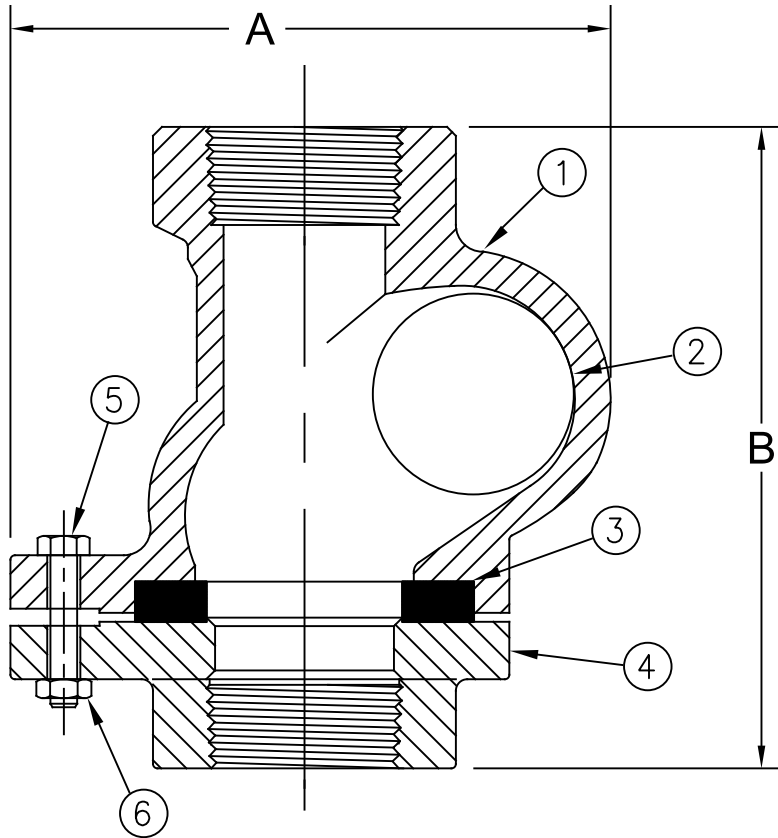
Model 508/50



Sizes 3" / 80 mm



Materials



Max Temp 180°F (82°C)
Max Inlet Pressure 150 psi (10 bar)

Item #	Qty	Description	Material	ASTM
1	1	Body (Epoxy Coated)	Cast Iron	A-48
2	1	Ball (Sinking)*	Phenolic	-----
3	1	Seal	Polyurethane	-----
4	1	Flange (Epoxy Coated)	Cast Iron	A-48
5	4	Bolt	Stainless Steel	18-8
6	4	Nut	Stainless Steel	18-8

*Optional floating ball available add "FB" to part number

Dimensions (FNPT X FNPT)

ANSI B1.20.1

Size		Part #	A		B		Weight	
inch	mm		inch	mm	inch	mm	lbs	kg
3	80	2044	8-9/16	218	9-19/32	244	30	14

Flomatic Corporation can accept no responsibility for possible errors in catalogues, brochures and other printed material. Flomatic Corporation reserves the right to alter its products without notices. This also applies to product already agreed. All trademarks in this material are property of the respective companies. All rights reserved. ©2021 Flomatic Corporation. The drawings & information on this drawing sheet are the sole & exclusive property of Flomatic Corporation. Any reproduction, distribution, display or use of these drawings or information in whole or in part without written authorization of Flomatic Corporation is strictly prohibited. www.flomatic.com



January 21, 1998
Dwg No:S2044 Rev: F (2/21)

FLOMATIC CORPORATION
GLENS FALLS, N.Y. 12801
PHONE (518) 761-9797
FAX (518) 761-9798