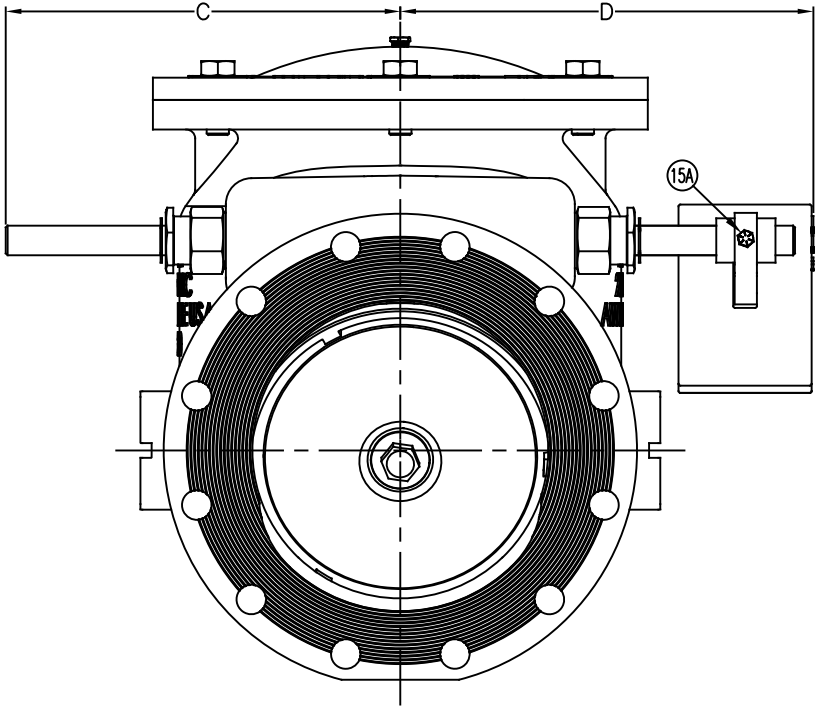
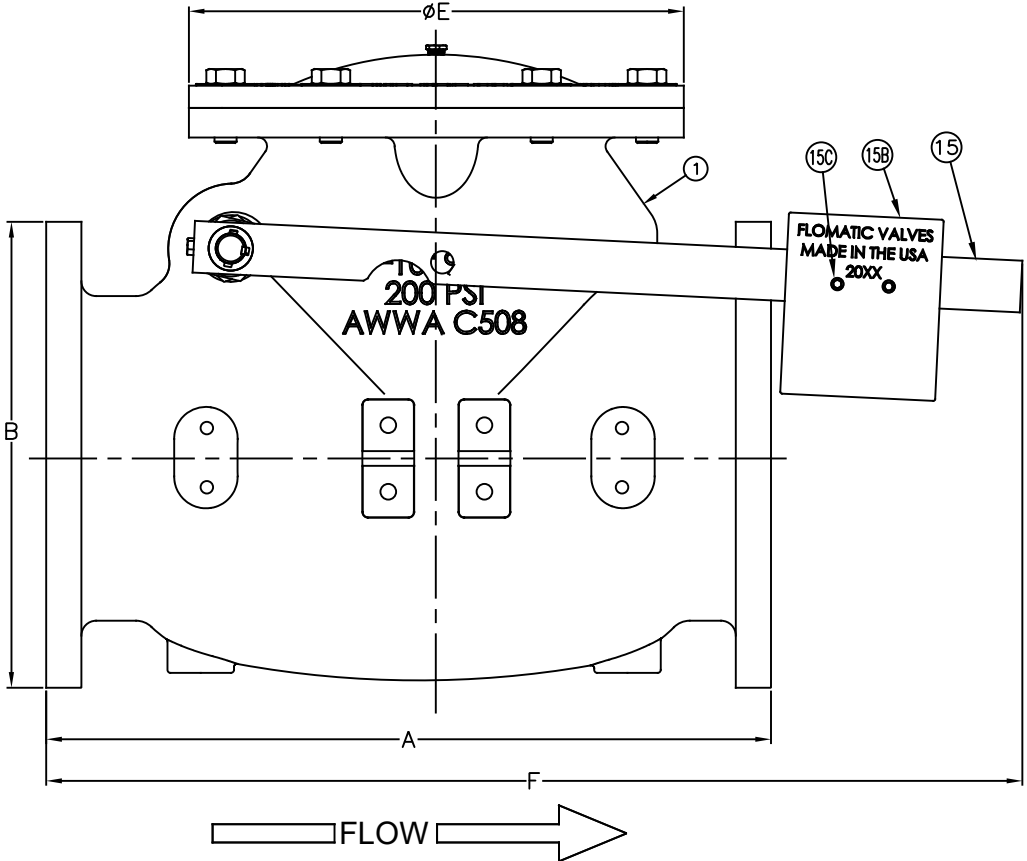


Swing Check Valves

Size 10" / 250 mm
 AIS COMPLIANT

Model 92LW **FLOMATIC**[®]

Flomatic Corporation



MANUFACTURED IN
 COMPLIANCE WITH
 AWWA C508 STANDARD

Flomatic Corporation can accept no responsibility for possible errors in catalogues, brochures and other printed material. Flomatic Corporation reserves the right to alter its products without notices. This also applies to product already agreed. All trademarks in this material are property of the respective companies. All rights reserved. ©2022 Flomatic Corporation. The drawings & information on this drawing sheet are the sole & exclusive property of Flomatic Corporation. Any reproduction, distribution, display or use of these drawings or information in whole or in part without written authorization of Flomatic Corporation is strictly prohibited. www.flomatic.com



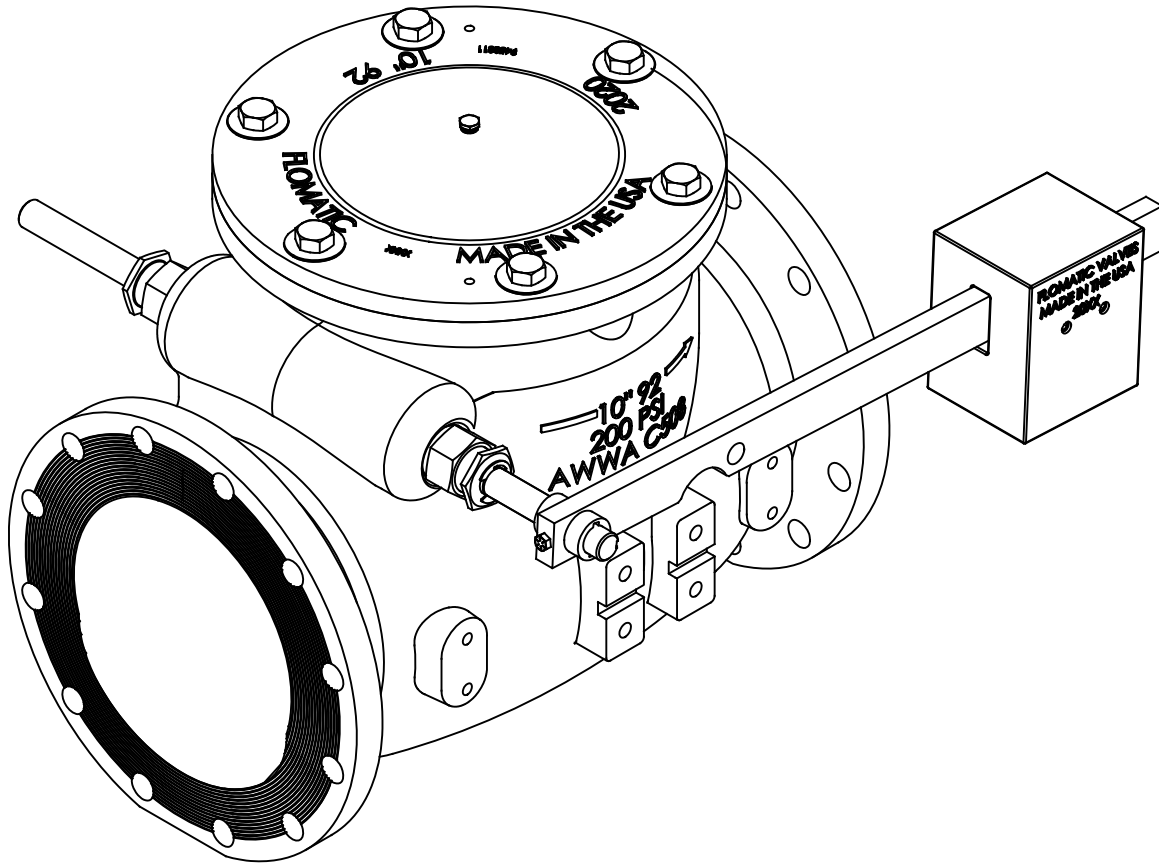
Swing Check Valve

Sizes 10" / 250 mm
 AIS COMPLIANT

Model 92CS **FLOMATIC**[®]

Flomatic Corporation

Materials



Max Temp 180°F (82°C)
 Max Pressure 200psi (14bar)

Item #	Qty	Description	Material	ASTM	Item #	Qty	Description	Material	ASTM
1	1	Body*	See spec sheet S3711L		15A	1	Bolt	Stainless Steel	18-8
14B	1	Key Stock	Stainless Steel	18-8	15B	1	Weight	Steel	-----
15	1	Lever Arm*	Hot Rolled Steel	-----	15C	1	SHSS	Stainless Steel	18-8

* Epoxy Coated

MANUFACTURED IN
 COMPLIANCE WITH
 AWWA C508 STANDARD

Dimensions (150# ANSI B16.42 Flanges)

Size		Part #	A		B		C		D		E (Ø)		F		Weight	
inch	mm		inch	mm	inch	mm	inch	mm	inch	mm	inch	mm	inch	mm	lbs	kg
10	250	3711LW	24-1/2	623	15-3/4	400	13-11/16	348	14	356	16-3/4	425	33	838	430	195

Flomatic Corporation can accept no responsibility for possible errors in catalogues, brochures and other printed material. Flomatic Corporation reserves the right to alter its products without notices. This also applies to product already agreed. All trademarks in this material are property of the respective companies. All rights reserved. ©2022 Flomatic Corporation. The drawings & information on this drawing sheet are the sole & exclusive property of Flomatic Corporation. Any reproduction, distribution, display or use of these drawings or information in whole or in part without written authorization of Flomatic Corporation is strictly prohibited. www.flomatic.com