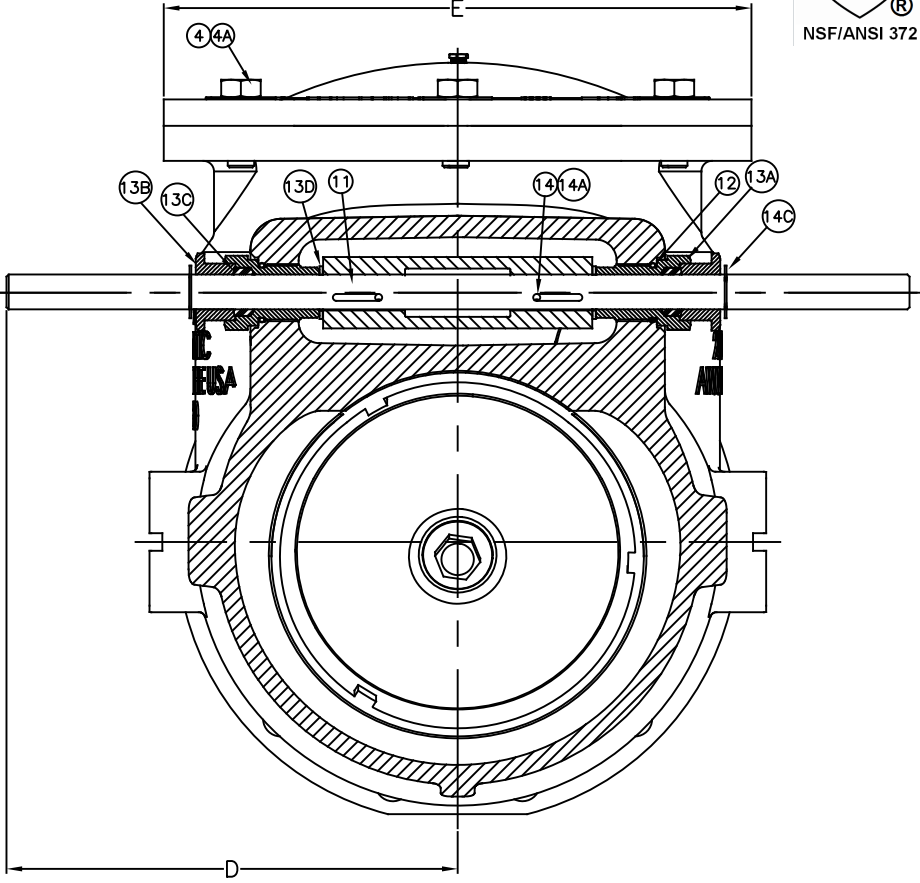
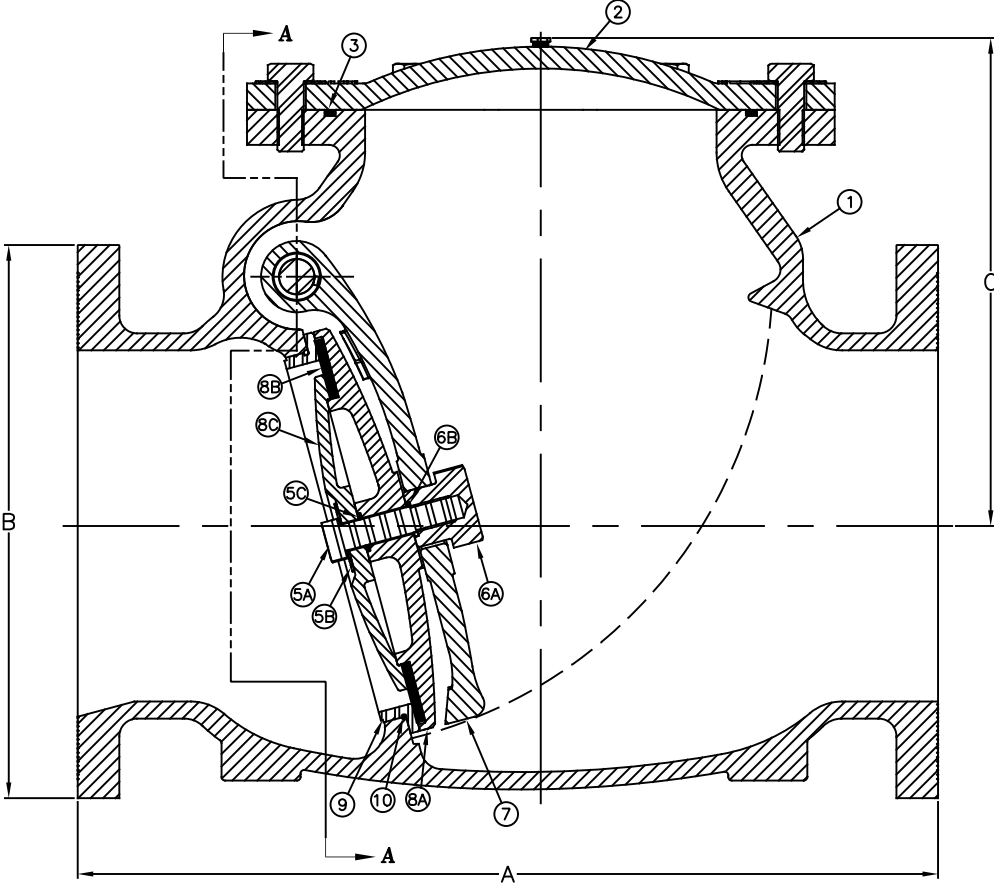


Swing Check Valves

Size 10" / 250 mm
 AIS COMPLIANT

Model 92L **FLOMATIC**[®]
 Flomatic Corporation



MANUFACTURED IN COMPLIANCE WITH AWWA C508 STANDARD

Flomatic Corporation can accept no responsibility for possible errors in catalogues, brochures and other printed material. Flomatic Corporation reserves the right to alter its products without notices. This also applies to product already agreed. All trademarks in this material are property of the respective companies. All rights reserved. ©2022 Flomatic Corporation. The drawings & information on this drawing sheet are the sole & exclusive property of Flomatic Corporation. Any reproduction, distribution, display or use of these drawings or information in whole or in part without written authorization of Flomatic Corporation is strictly prohibited. www.flomatic.com



Page 1 of 2
 September 24, 2021
 Dwg No: S3711L Rev: A (1/22)

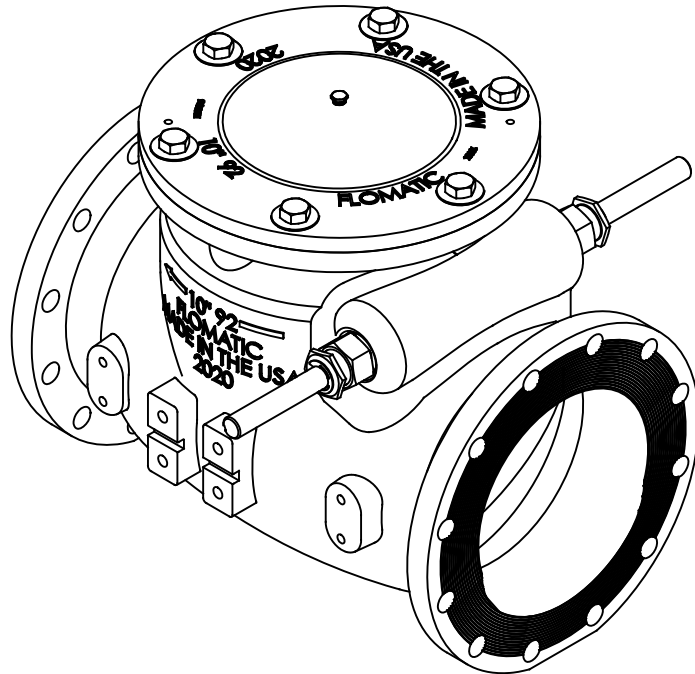
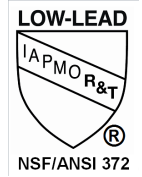
FLOMATIC CORPORATION
 GLENS FALLS, N.Y. 12801
 PHONE (518) 761-9797
 FAX (518) 761-9798

Swing Check Valve

Sizes 10" / 250 mm
 AIS COMPLIANT

Model 92L **FLOMATIC**[®]
 Flomatic Corporation

Materials



Max Temp 180°F (82°C)
 Max Pressure 200psi (14bar)

Item #	Qty	Description	Material	ASTM	Item #	Qty	Description	Material	ASTM
1	1	Body*	Ductile Iron	65-45-12	8C	1	Disc Retainer*	Ductile Iron	65-45-12
2	1	Cover w/ Pipe Plug*	Ductile Iron	65-45-12	9	1	Seat Ring	Stainless Steel	304
3	1	O'Ring (Cover)	Buna-N	-----	10	1	Seat Ring O'Ring	Buna-N	-----
4	6	Cover Bolt	Stainless Steel	304	11	1	Clapper Support Shaft	Stainless Steel	17-4
4A	6	Cover Washer	Stainless Steel	304	12	2	Bearing O'Ring	Buna-N	-----
5A	1	Clapper Bolt	Stainless Steel	304	13A	2	Shaft Support Bearing	Bronze	B140
5B	1	Clapper Washer	Stainless Steel	304	13B	2	Packing Nut	Bronze	B140
5C	1	Clapper Bolt O'Ring	Buna-N	-----	13C	8	Telfon Packing	Teflon	-----
6A	1	Clapper Nut	Stainless Steel	304	13D	2	Shaft Washers	Stainless Steel	18-8
6B	1	Clapper Nut O'Ring	Buna-N	-----	14	2	Screw	Stainless Steel	304
7	1	Hinge Lever Arm*	Ductile Iron	65-45-12	14A	1	Key Stock	Stainless Steel	18-8
8A	1	Disc Holder*	Ductile Iron	65-45-12	14B	1	Key Stock	Stainless Steel	18-8
8B	1	Disc	Buna-N	-----	14C	2	Retaining Rings	Stainless Steel	15-7

* Epoxy Coated

MANUFACTURED IN
 COMPLIANCE WITH
 AWWA C508 STANDARD

Dimensions (150# ANSI B16.42 Flanges)

Size		Part #	A		B		C		D		E (Ø)		Weight	
inch	mm		inch	mm	inch	mm	inch	mm	inch	mm	inch	mm	lbs	kg
10	250	3711L	24-1/2	623	15-3/4	400	13-11/16	348	13-11/32	339	16-3/4	425	382	173

Flomatic Corporation can accept no responsibility for possible errors in catalogues, brochures and other printed material. Flomatic Corporation reserves the right to alter its products without notices. This also applies to product already agreed. All trademarks in this material are property of the respective companies. All rights reserved. ©2022 Flomatic Corporation. The drawings & information on this drawing sheet are the sole & exclusive property of Flomatic Corporation. Any reproduction, distribution, display or use of these drawings or information in whole or in part without written authorization of Flomatic Corporation is strictly prohibited. www.flomatic.com