

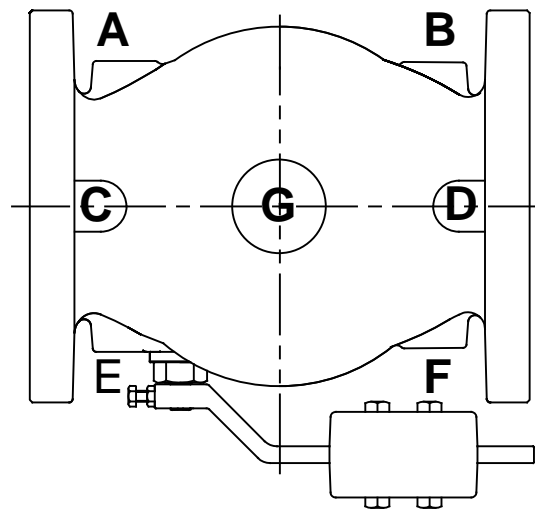
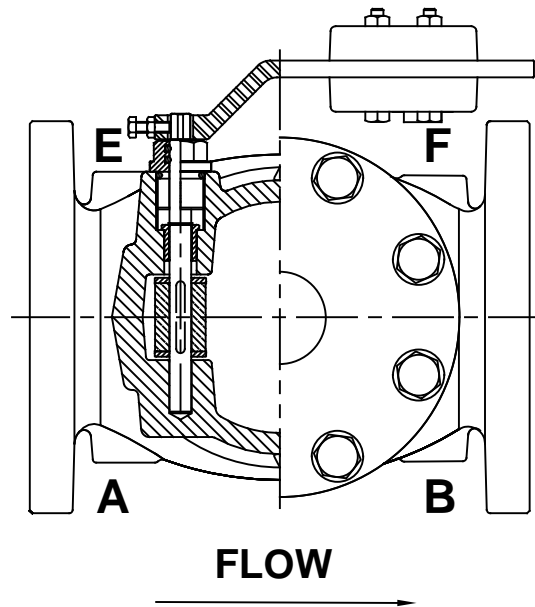
# Swing Check Valve

## Model 93LW



Flomatic Corporation

Size 2" thru 12" / 50mm thru 300mm



## Dimensions

inch	mm	NPT Tap Size for 93LW Boss Locations						
		A	B	C	D	E	F	G
2	50	3/4	3/4	3/4	N/A	N/A	N/A	N/A
3	80	3/4	3/4	3/4	N/A	3/4	3/4	N/A
4	100	1	1	1-1/4	1-1/4	1	1	N/A
6	150	1-1/4	1-1/4	1-1/4	1-1/4	1-1/4	1-1/4	N/A
8	200	2	2	1-1/4	1-1/4	2	2	3/4
10	250	2	2	1-1/4	1-1/4	2	2	3/4
12	300	2	2	1-1/4	1-1/4	2	2	3/4

Flomatic Corporation can accept no responsibility for possible errors in catalogues, brochures and other printed material. Flomatic Corporation reserves the right to alter its products without notices. This also applies to product already agreed. All trademarks in this material are property of the respective companies. All right reserved. ©2018 Flomatic Corporation. The drawings & information on this drawing sheet are the sole & exclusive property of Flomatic Corporation. Any reproduction, distribution, display or use of these drawings or information in whole or in part without written authorization of Flomatic Corporation is strictly prohibited. [www.flomatic.com](http://www.flomatic.com)



April 11, 2018  
Dwg No: S93LW\_TAPS Rev: A (8/18)

FLOMATIC CORPORATION  
GLENS FALLS, N.Y. 12801  
PHONE (518) 761-9797  
FAX (518) 761-9798