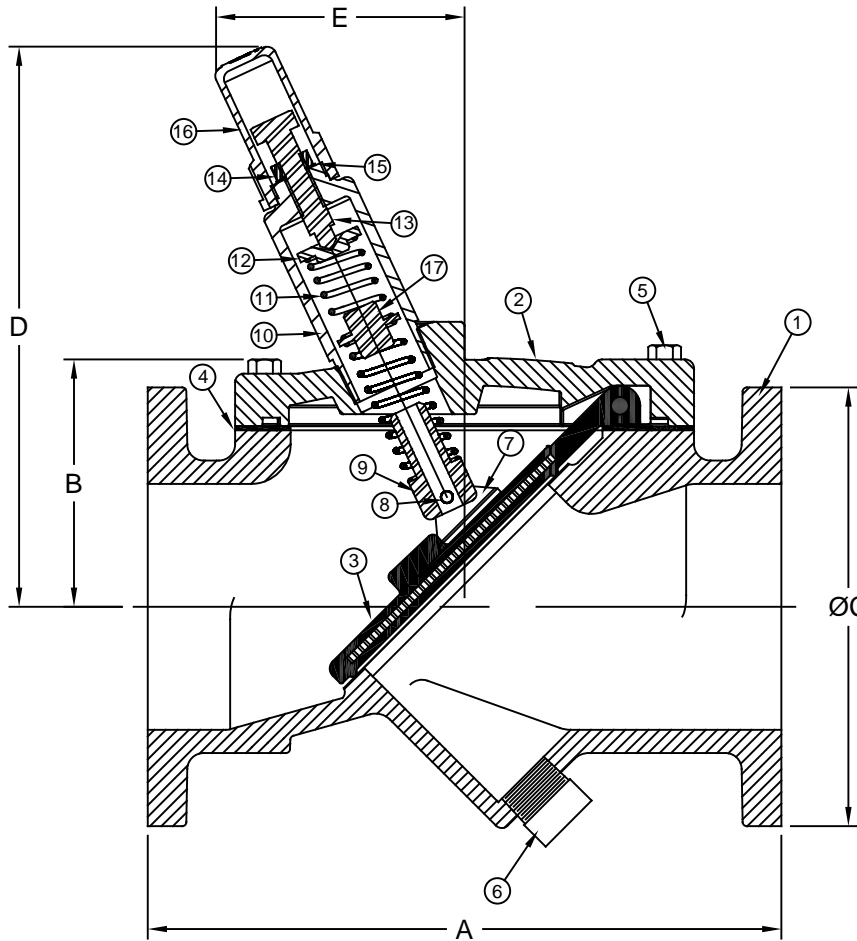


Sizes 3" / 80mm

Assisted Spring Closure (ASC)

Materials



Patent # 9,879,791

Item #	Qty	Description	Material	ASTM	Item #	Qty	Description	Material	ASTM
1	1	Body (Epoxy Coated)	Ductile Iron	A536	10	1	Spring Housing	Stainless Steel	304
2	1	Cover (Epoxy Coated)	Ductile Iron	A536	11	1	Spring	Stainless Steel	18-8
3	1	Flapper	Buna coated Steel	-----	12	1	Spring Button	Stainless Steel	304
4	1	Gasket	Buna	-----	13	1	Adjustment Bolt	Stainless Steel	18-8
5	A/R	Cover Bolt	Steel	SAE Grade 5	14	1	Jam Nut	Stainless Steel	18-8
6	1	Plug	Malleable Iron	-----	15	1	Thread Seal Washer	Stainless Steel/Buna	18-8
7	1	Bracket w/ Fasteners	CRS / SS	Epoxy/18-8	16	1	Cap w/ Seal	Stainless Steel/Nylon	304
8	1	Pin w/ Cotter Pins	Stainless Steel	304	17	1	Stabilizer	Stainless Steel	304
9	1	Spring Holder	Stainless Steel	304	A/R = Amount Required				

Dimensions (150# ANSI B16.5 flanges)

Size		A		B		C		D		E		Weight	
inch	mm	inch	mm	inch	mm	inch	mm	inch	mm	inch	mm	lbs	kg
3	80	9-1/2	241	3-7/8	98	7-1/2	191	8-1/4	210	3-1/4	83	45	20

Flomatic Corporation can accept no responsibility for possible errors in catalogues, brochures and other printed material. Flomatic Corporation reserves the right to alter its products without notices. This also applies to product already agreed. All trademarks in this material are property of the respective companies. All right reserved. ©2018 Flomatic Corporation. The drawings & information on this drawing sheet are the sole & exclusive property of Flomatic Corporation. Any reproduction, distribution, display or use of these drawings or information in whole or in part without written authorization of Flomatic Corporation is strictly prohibited.

Sizes 3" / 80mm
 Assisted Spring Closure (ASC)

NOTES:

VALVES IS PRE-SET AT 2psi STANDARD
 WHEN ORDERING VALVE USE THE SPRING TABLE BELOW FOR ANOTHER
 CRACKING PRESSURE (EACH VALVE CONTAINS (2) SPRINGS)

TO INCREASE CRACKING PRESSURE TURN ADJUSTMENT SCREW CLOCKWISE

TO DECREASE CRACKING PRESSURE TURN ADJUSTMENT SCREW COUNTERCLOCKWISE

	(2) BLUE SPRINGS
# OF TURNS ON SCREW	CRACKING PRESSURE(psi)
1	.5
2	1
3	2
4	3
5	3.5
6	4
7	4.5
8	5
PART NUMBER	2382ASC

CRACKING PRESSURE MAY VARY THIS CHART IS FOR REFERENCE ONLY
 DO NOT TURN EXCEED THE 8 TURN MAXIMUM – VALVE MAY NOT SEAL PROPERLY

Flomatic Corporation can accept no responsibility for possible errors in catalogues, brochures and other printed material. Flomatic Corporation reserves the right to alter its products without notices. This also applies to product already agreed. All trademarks in this material are property of the respective companies. All right reserved. ©2018 Flomatic Corporation. The drawings & information on this drawing sheet are the sole & exclusive property of Flomatic Corporation. Any reproduction, distribution, display or use of these drawings or information in whole or in part without written authorization of Flomatic Corporation is strictly prohibited.