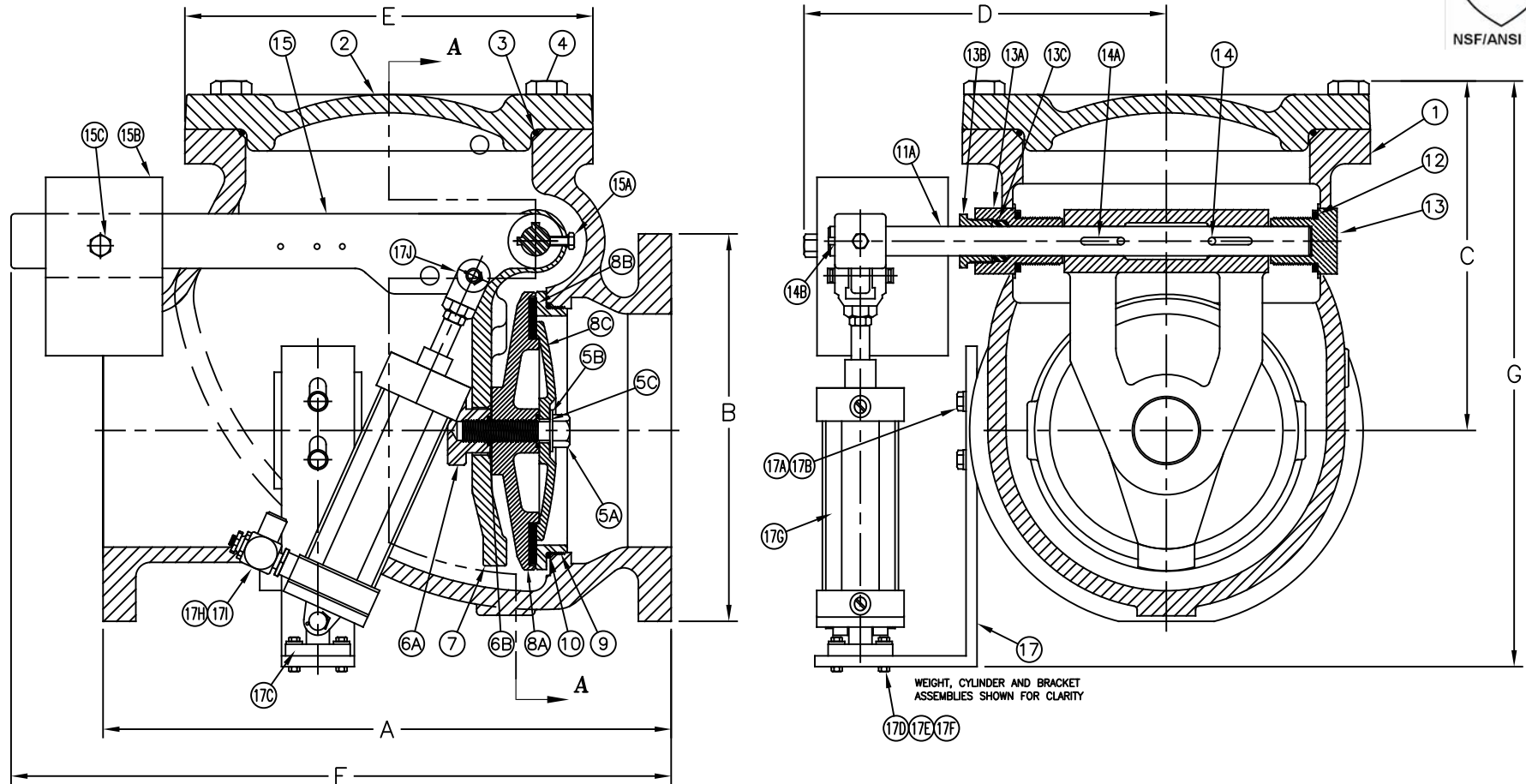
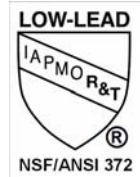


Swing Check Valves

Size 8" / 200 mm
SHORT BODY

Model 92CS

FLOMATIC[®]
Flomatic Corporation



MANUFACTURED IN
COMPLIANCE WITH
AWWA C508 STANDARD

Flomatic Corporation can accept no responsibility for possible errors in catalogues, brochures and other printed material. Flomatic Corporation reserves the right to alter its products without notices. This also applies to product already agreed. All trademarks in this material are property of the respective companies. All rights reserved. ©2020 Flomatic Corporation. The drawings & information on this drawing sheet are the sole & exclusive property of Flomatic Corporation. Any reproduction, distribution, display or use of these drawings or information in whole or in part without written authorization of Flomatic Corporation is strictly prohibited. www.flomatic.com

Swing Check Valve

Model 92CS



Sizes 8" / 200 mm
SHORT BODY

Materials (Cushion Swing)

Max Temp 180°F (82°C)
Max Pressure 200psi (14bar)

Item #	Qty	Description	Material	ASTM	Item #	Qty	Description	Material	ASTM	
1	1	Body*	Cast Iron	A126	13C	4	Teflon Packing	Teflon	-----	
2	1	Cover*	Cast Iron	A126	14	1	Screw	Stainless Steel	18-8	
3	1	Cover O'Ring	Buna-n	-----	14A	2	Key Stock	Stainless Steel	18-8	
4	6	Cover Bolt	Stainless Steel	18-8	14B	1	Key Stock	Stainless Steel	18-8	
5A	1	Flapper Bolt	Stainless Steel	18-8	15	1	Lever Arm*	Ductile Iron	65-45-12	
5B	1	Flapper Bolt Washer	Stainless Steel	18-8	15A	1	Bolt	Stainless Steel	18-8	
5C	1	Flapper Bolt O'Ring	Buna-n	-----	15B	1	Weight*	Cast Iron	A126	
6A	1	Flapper Nut	Stainless Steel	304	15C	1	Bolt*	Plated	-----	
6B	1	Flapper O'Ring	Buna-n	-----	17	1	Bracket	CRS	-----	
7	1	Hinge Lever Arm*	Ductile Iron	65-45-12	17A	2	Bolt	Plated	-----	
8A	1	Disc Holder*	Ductile Iron	65-45-12	17B	2	Lock Washer	Plated	-----	
8B	1	Disc	EPDM	-----	17C	1	Mounting Plate	Plated	-----	
8C	1	Disc Retainer*	Ductile Iron	65-45-12	17D	4	Nut	Plated	-----	
9	1	Seat Ring	Bronze	C89833	17E	4	Bolt	Stainless Steel	18-8	
10	1	Seat Ring O'Ring	Buna-n	-----	17F	4	Lock Washer	Plated	-----	
11A	1	Flapper Support Shaft	Stainless Steel	17-4	17G	1	Cylinder	Misc	-----	
12	2	Bearing O'Ring	Buna-n	-----	17H	1	Bushing	Misc	-----	
13	1	Shaft Support Bearing	Bronze	B140	17I	1	Flow Control	Brass	-----	
13A	1	Open End Support Shaft Bearing	Bronze	B140	17J	1	Rod Clevis Assembly	Plated	-----	
13B	1	Shaft Packing Nut	Bronze	B140	*Epoxy Coated					

Dimensions

Size		Part #	A		B		C		D		E		E		G (REF)		Weight	
inch	mm		inch	mm	inch	mm	inch	mm	inch	mm	inch	mm	inch	mm	inch	mm	lbs	kg
8	200	3710-18CS	18	457	13-29/64	343	12	305	12-7/16	316	14	356	22-21/32	575	26-1/2	673	355	161

MANUFACTURED IN
COMPLIANCE WITH
AWWA C508 STANDARD

Flomatic Corporation can accept no responsibility for possible errors in catalogues, brochures and other printed material. Flomatic Corporation reserves the right to alter its products without notices. This also applies to product already agreed. All trademarks in this material are property of the respective companies. All rights reserved. ©2020 Flomatic Corporation. The drawings & information on this drawing sheet are the sole & exclusive property of Flomatic Corporation. Any reproduction, distribution, display or use of these drawings or information in whole or in part without written authorization of Flomatic Corporation is strictly prohibited. www.flomatic.com

