

Swing Check Valve

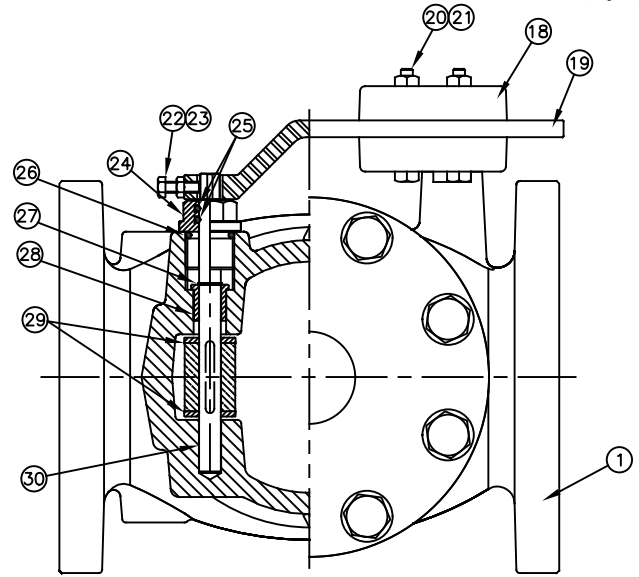
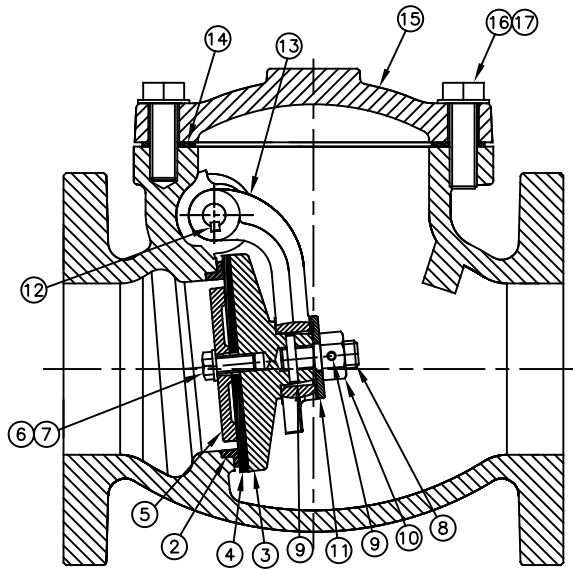
Model 93LW



Flomatic Corporation

Size 2" thru 6" / 50mm thru 150mm

LEAD FREE
NSF/ANSI 61



Max Temp 180°F (82°C)
Max Pressure 200psi (14bar)

Item #	Qty	Description	Material	ASTM	Item #	Qty	Description	Material	ASTM
1	1	Body*	Ductile Iron	A536	16	8	Bolts	Carbon Steel	Zinc Plated
2	1	Seat	Stainless Steel	316	17	8	Washers	Carbon Steel	Zinc Plated
3	1	Disc Holder*	Ductile Iron	A536	18	1	Weight*	Cast Iron	A126
4	1	Disc	EPDM	-----	19	1	Weight Lever	Carbon Steel	Zinc Plated
5	1	Disc Retainer*	Ductile Iron	A536	20	2	Bolts	Carbon Steel	Zinc Plated
6	1	Bolt	Stainless Steel	304	21	2	Nuts	Carbon Steel	Zinc Plated
7	1	Washer	Stainless Steel	304	22	1	Bolts	Carbon Steel	Zinc Plated
8	1	Disc Stud	Brass	B36	23	1	Nuts	Carbon Steel	Zinc Plated
9	2	Roll Pin	Stainless Steel	304	24	1	Hinge Pin Nut	Brass	B36
10	1	Disc Nut	Brass	B36	25	2	Oring	Buna-N	-----
11	1	Washer	Brass	B36	26	1	Oring	Buna-N	-----
12	1	Key	Stainless Steel	304	27	1	Jump Ring	Stainless Steel	304
13	1	Clapper Arm*	Ductile Iron	A536	28	1	Bushing	Brass	B36
14	1	Cover Gasket	EPDM	-----	29	2	Washer	Brass	B36
15	1	Cover*	Cast Iron	A126	30	1	Pin	Stainless Steel	304

*NSF 61 approved Epoxy Coated
Flanges drilled to ANSI B16.1

MANUFACTURED IN
COMPLIANCE WITH
AWWA C508 STANDARD

Flomatic Corporation can accept no responsibility for possible errors in catalogues, brochures and other printed material. Flomatic Corporation reserves the right to alter its products without notices. This also applies to product already agreed. All trademarks in this material are property of the respective companies. All right reserved. ©2018 Flomatic Corporation. The drawings & information on this drawing sheet are the sole & exclusive property of Flomatic Corporation. Any reproduction, distribution, display or use of these drawings or information in whole or in part without written authorization of Flomatic Corporation is strictly prohibited. www.flomatic.com



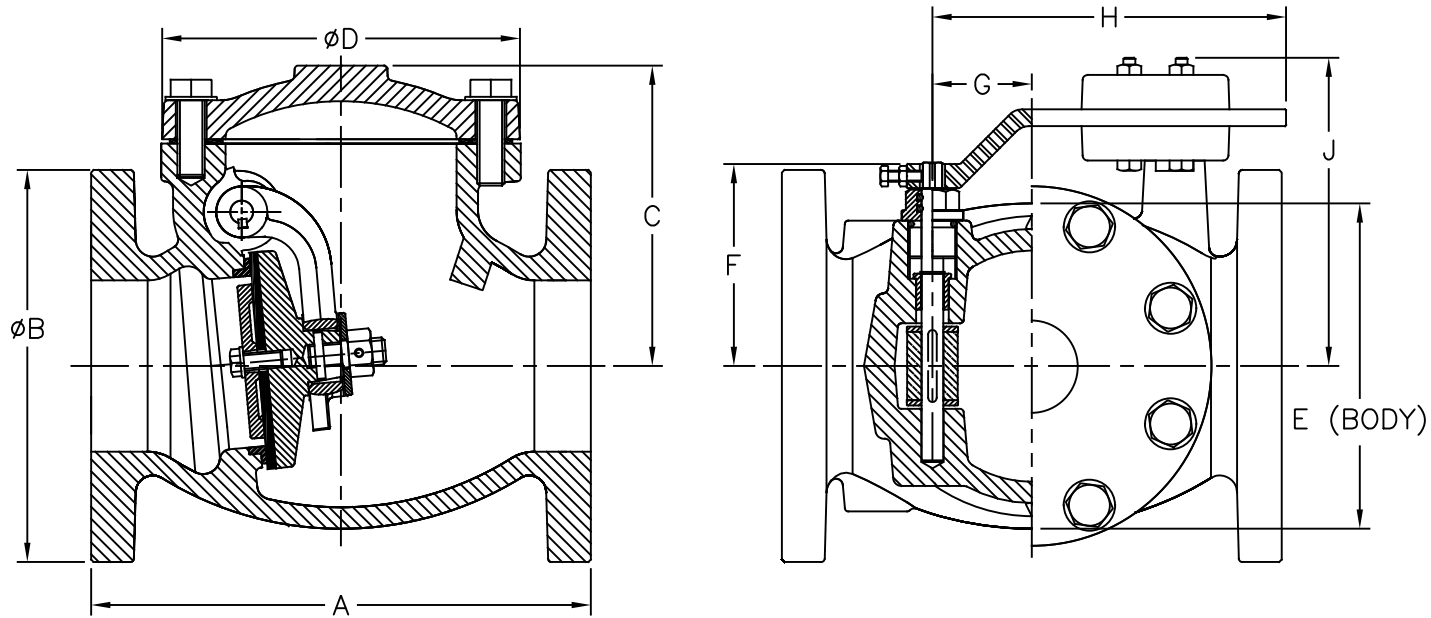
Swing Check Valves

Size 2" thru 6" / 50mm thru 150mm

Model 93LW **FLOMATIC**[®]

Flomatic Corporation

LEAD FREE
NSF/ANSI 61



Dimensions (ANSI B16.1 150# Flange)

Size		Part #	A		B		C		D		E		F		G		H		J		Weight	
inch	mm		inch	mm	inch	mm	inch	mm	inch	mm	inch	mm	inch	mm	inch	mm	inch	mm	inch	mm	lbs	kg
2	50	2804LW	8.00	203	6.50	165	5.57	142	7.17	182	4.96	126	3.66	93	1.38	35	5.81	148	6.14	156	38	17
3	80	2806LW	9.50	241	7.87	200	6.81	173	7.91	201	6.54	166	4.53	115	2.17	55	6.20	158	6.69	170	62	28
4	100	2807LW	11.50	292	9.00	229	6.92	176	8.25	210	7.17	182	4.69	119	2.28	58	8.13	207	7.09	180	90	41
6	150	2809LW	14.00	356	11.22	285	9.37	238	11.22	285	9.80	249	6.42	163	3.03	77	14.63	238	8.90	226	163	74

MANUFACTURED IN
COMPLIANCE WITH
AWWA C508 STANDARD

Flomatic Corporation can accept no responsibility for possible errors in catalogues, brochures and other printed material. Flomatic Corporation reserves the right to alter its products without notices. This also applies to product already agreed. All trademarks in this material are property of the respective companies. All right reserved. ©2018 Flomatic Corporation. The drawings & information on this drawing sheet are the sole & exclusive property of Flomatic Corporation. Any reproduction, distribution, display or use of these drawings or information in whole or in part without written authorization of Flomatic Corporation is strictly prohibited. www.flomatic.com