

Swing Check Valve

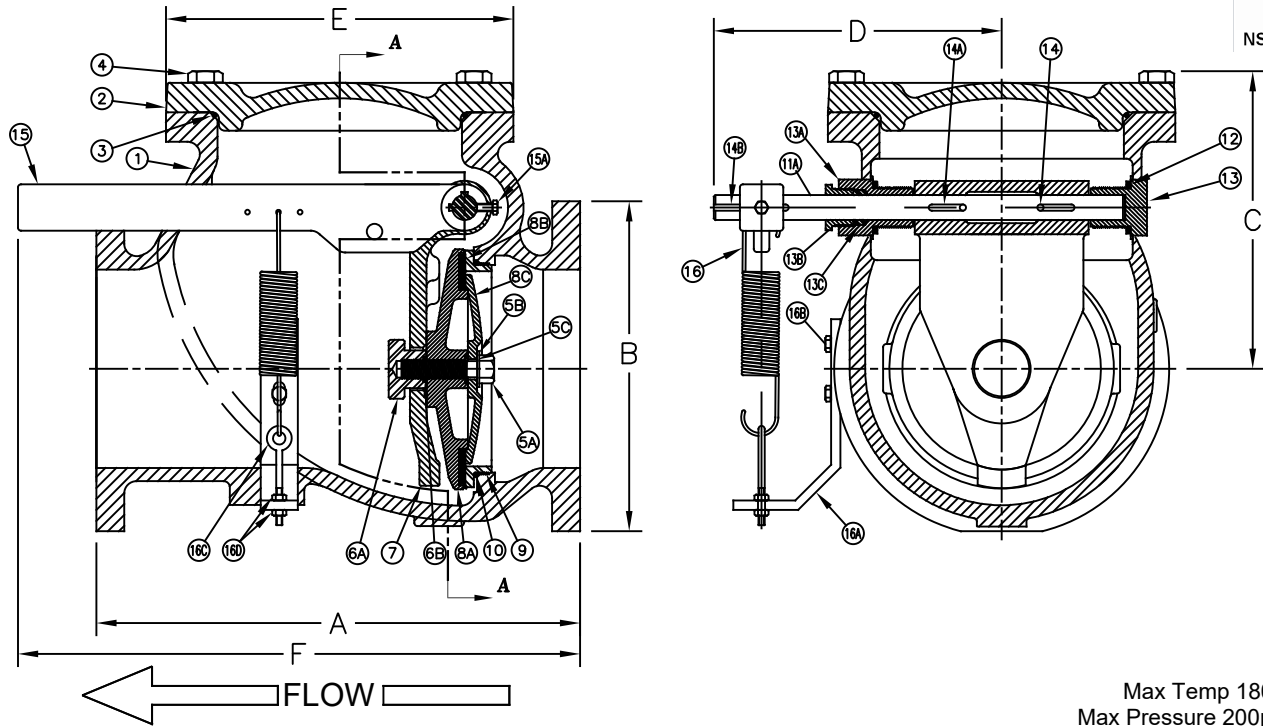
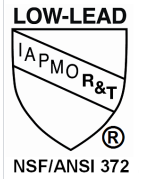
Sizes 8" / 200 mm

Model 92LS



Flomatic Corporation

Materials (Lever & Spring)



Max Temp 180°F (82°C)
Max Pressure 200psi (14bar)

Item #	Qty	Description	Material	ASTM	Item #	Qty	Description	Material	ASTM
1	1	Body (Epoxy Coated)	Cast Iron	A126	12	2	Bearing O-Ring	Buna-N	N6000AA
2	1	Cover (Epoxy Coated)	Cast Iron	A126	13	1	Support Bearing (Closed End)	Bronze	B140
3	1	Cover O-Ring	Buna-N	N6000AA	13A	1	Support Bearing (Open End)	Bronze	B140
4	6	Cover Bolt	Stainless Steel	18-8	13B	1	Packing Nut	Bronze	B140
5A	1	Clapper Bolt	Stainless Steel	316	13C	4	Teflon Packing	Teflon	-----
5B	1	Clapper Bolt Washer	Stainless Steel	304	14	1	Screw	Stainless Steel	18-8
5C	1	Flapper Bolt O-Ring	Buna-N	N6000AA	14A	2	Key Stock	Stainless Steel	18-8
6A	1	Clapper Nut	Stainless Steel	304	14B	1	Key Stock	Stainless Steel	18-8
6B	1	Clapper O-Ring	Buna-N	N6000AA	15	1	Lever Arm	Ductile Iron	65-45-12
7	1	Hinge Lever Arm (Epoxy Coated)	Ductile Iron	65-45-12	15A	1	Bolt	Stainless Steel	18-8
8A	1	Disc Holder (Epoxy Coated)	Ductile Iron	65-45-12	16	1	Spring	Stainless Steel	316
8B	1	Disc	Buna-N	N6000AA	16A	1	Spring Mounting Bracket	CRS	-----
8C	1	Disc Retainer (Epoxy Coated)	Ductile Iron	65-45-12	16B	2	Bolt	Zinc Plated	-----
9	1	Seat Ring	Stainless Steel	304	16C	1	Eyebolt	Zinc Plated	-----
10	1	Seat Ring O-Ring	Buna-N	N6000AA	16D	2	Nut	Stainless Steel	316
11A	1	Clapper Shaft	Stainless Steel	17-4					

Dimensions (ANSI B16.1 - 125# Flanges)

Size		Part #	A		B		C		D		E (Ø)		F		Weight	
inch	mm		inch	mm	inch	mm	inch	mm	inch	mm	inch	mm	inch	mm	lbs	kg
8	200	3710LS	19-1/2	495	13-29/64	343	12	305	11-19/32	343	14	356	22-21/32	575	320	145

MANUFACTURED IN COMPLIANCE WITH AWWA C508 STANDARD

Flomatic Corporation can accept no responsibility for possible errors in catalogues, brochures and other printed material. Flomatic Corporation reserves the right to alter its products without notices. This also applies to product already agreed. All trademarks in this material are property of the respective companies. All rights reserved. ©2021 Flomatic Corporation. The drawings & information on this drawing sheet are the sole & exclusive property of Flomatic Corporation. Any reproduction, distribution, display or use of these drawings or information in whole or in part without written authorization of Flomatic Corporation is strictly prohibited. www.flomatic.com



July 29, 2004
Dwg No: S3710LS Rev G (4/22)

FLOMATIC CORPORATION
GLENS FALLS, N.Y. 12801
PHONE (518) 761-9797
FAX (518) 761-9798