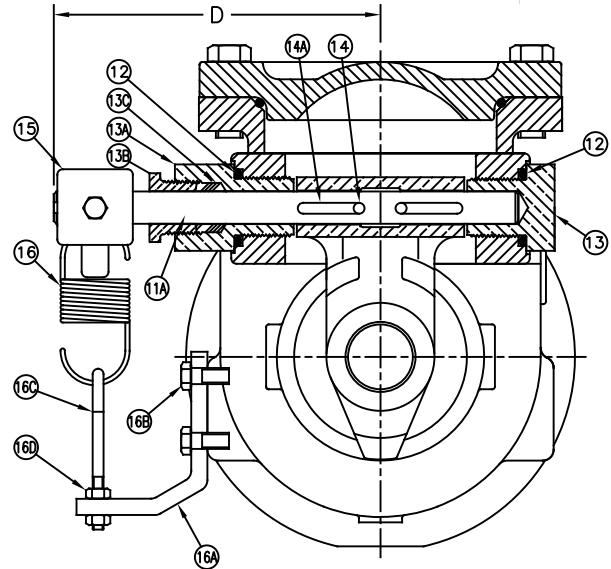
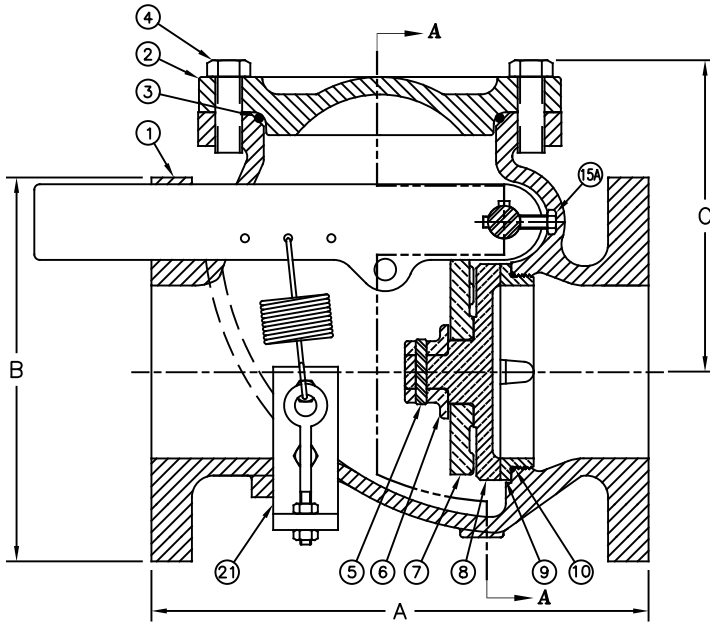


Swing Check Valve

Sizes 4" & 6" / 100 mm & 150 mm

Model 92LS **FLOMATIC**[®]
Flomatic Corporation

Materials (Lever & Spring)



Max Temp 180°F (82°C)
Max Pressure 200psi (14bar)

Item #	Qty	Description	Material	ASTM	Item #	Qty	Description	Material	ASTM
1	1	Body (Epoxy Coated)	Cast Iron	A126	13A	1	Support Bearing (Open End)	Bronze	B140
2	1	Cover (Epoxy Coated)	Cast Iron	A126	13B	1	Packing Nut	Bronze	B140
3	1	Cover O-Ring	Buna-N	N6000AA	13C	4	Teflon Packing	Teflon	-----
4	4	Cover Bolt	Stainless Steel	18-8	14	1	Screw	Stainless Steel	18-8
5	1	Clapper Screw & Nut	Stainless Steel	316	14A	3	Key Stock	Stainless Steel	18-8
6	1	Clapper End Cap	Bronze	C89833	15	1	Lever Arm (Epoxy Coated)	Ductile Iron	65-45-12
7	1	Clapper Arm	Bronze	C89833	15A	1	Bolt	Stainless Steel	18-8
8	1	Clapper Plate	Bronze	C89833	16	1	Spring	Stainless Steel	316
9	1	Seat Ring	Bronze	C89833	16A	1	Spring Mounting Bracket	CRS	-----
10	1	Seat Ring O-Ring	Buna-N	N6000AA	16B	2	Bolt	Zinc Plated	-----
11A	1	Clapper Shaft	Stainless Steel	17-4	16C	1	Eyebolt	Zinc Plated	-----
12	2	Bearing O-Ring	Buna-N	N6000AA	16D	2	Nut	Zinc Plated	-----
13	1	Support Bearing (Closed End)	Bronze	B140	Optional resilient seat (Nitrile) available, add "R" to the end of the part number				

Dimensions (ANSI B16.1 - 125# Flanges)

Size		Part #	A		B		C		D		Weight	
inch	mm		inch	mm	inch	mm	inch	mm	inch	mm	lbs	kg
4	100	3707LS	11-1/2	292	8-57/64	226	7-7/32	183	7-9/16	192	119	54
6	150	3709LS	14	356	10-3/4	273	8-17/32	217	8-17/32	217	205	93

MANUFACTURED IN COMPLIANCE WITH AWWA C508 STANDARD

Flomatic Corporation can accept no responsibility for possible errors in catalogues, brochures and other printed material. Flomatic Corporation reserves the right to alter its products without notices. This also applies to product already agreed. All trademarks in this material are property of the respective companies. All rights reserved. ©2021 Flomatic Corporation. The drawings & information on this drawing sheet are the sole & exclusive property of Flomatic Corporation. Any reproduction, distribution, display or use of these drawings or information in whole or in part without written authorization of Flomatic Corporation is strictly prohibited. www.flomatic.com