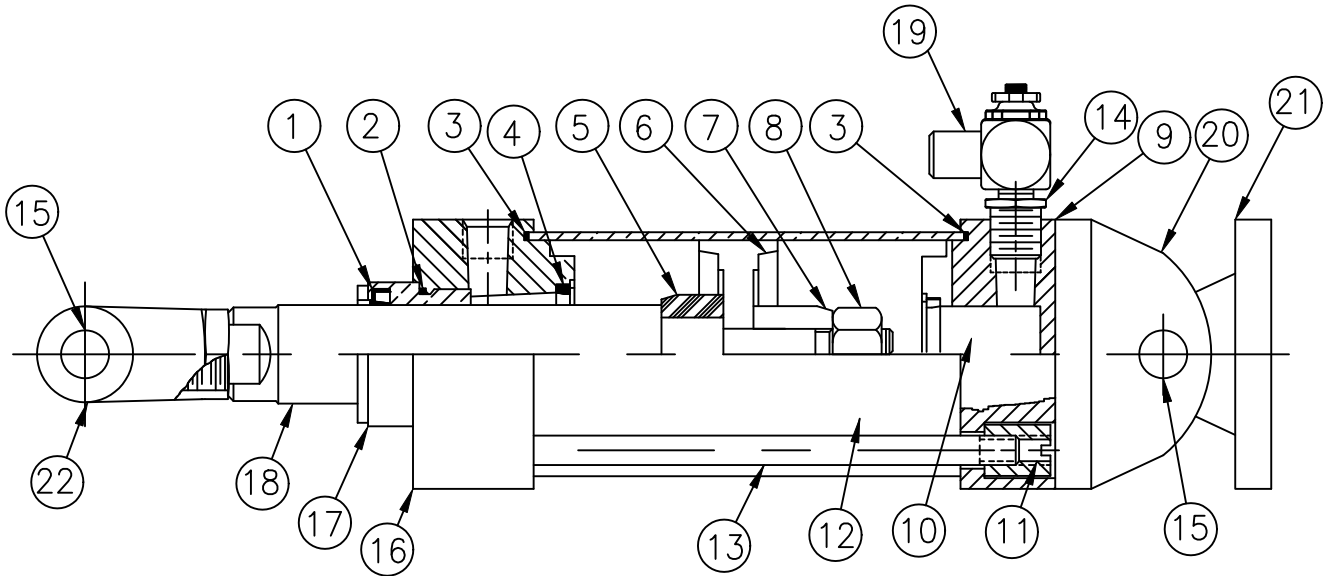


# Swing Check Valve

Sizes 3" thru 30" / 75mm thru 750mm

Cylinder **FLOMATIC**

Flomatic Corporation



Item #	Qty	Description	Material	ASTM	Item #	Qty	Description	Material	ASTM
1	1	Rod Wiper-Seal	Buna-n	——	12	1	Cylinder Body	Aluminum Tubing	A-108
2	1	Gland to Head O'ring	Buna-n	——	13	1	Tie Rods	Steel Bar	B210
3	2	End Seal Gasket	Armstrong N8092	——	14	1	Bushing	Zinc Plate	A108 E112
4	1	Cushion Check Seal Head	Polyurethane	——	15	1	Pivot Pin	Carbon Steel	——
5	1	Cushion Sleeve-Head End	Powered Metal M584-A	——	16	1	Head	Stainless Steel	——
6	1	Piston	Steel Core Urethane	A-29	17	1	Gland	Cast Copper Alloy	B85
7	1	Cushion Sleeve-Cap End	Powered Metal M584-A	——	18	1	Piston Rod	Aluminum Alloy	B505
8	1	Piston to Rod Nut	Steel 12L14	A-29	19	1	Flow Control	Brass	A108 E112
9	1	Cap	Aluminum Alloy	A-108	20	1	Clevis Bracket	Carbon Steel	——
10	1	Cushion Check Seal-Cap	Polyurethane	B85	21	1	Mounting Plate & Eye Bracket	Carbon Steel	——
11	1	Barrel Nut	Steel 12L14	——	22	1	Female Rod Clevis	Carbon Steel	——

Flomatic Corporation can accept no responsibility for possible errors in catalogues, brochures and other printed material. Flomatic Corporation reserves the right to alter its products without notices. This also applies to product already agreed. All trademarks in this material are property of the respective companies. All right reserved. ©2011 Flomatic Corporation. The drawings & information on this drawing sheet are the sole & exclusive property of Flomatic Corporation. Any reproduction, distribution, display or use of these drawings or information in whole or in part without written authorization of Flomatic Corporation is strictly prohibited.