

Swing Check Valve

Limit Switch

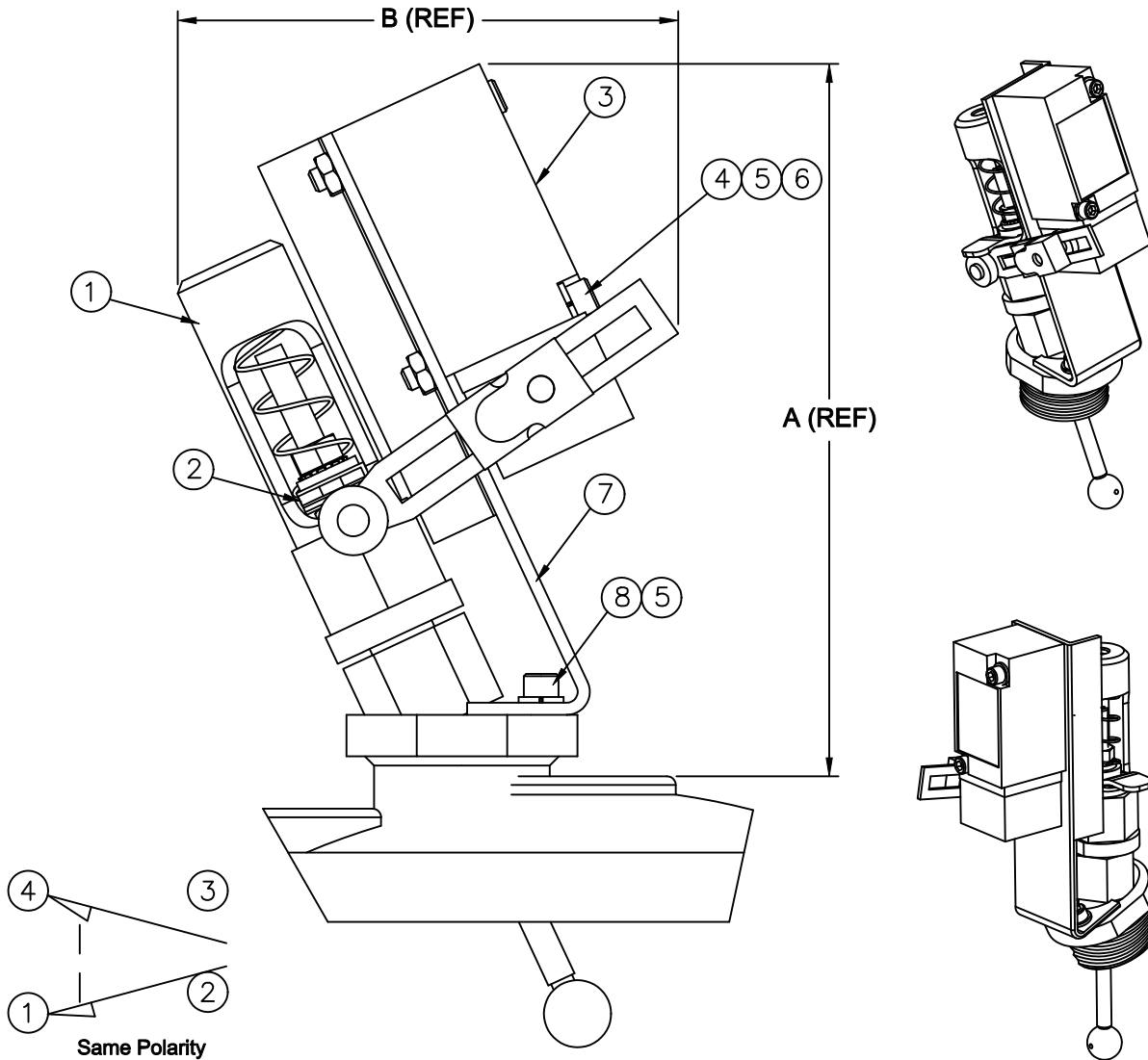
Model 745LS



Flomatic Corporation

Sizes 3" Thru 16" / 80mm Thru 400mm

Materials



Item #	Qty	Description	Material	ASTM	Item #	Qty	Description	Material	ASTM
1	1	Position Indicator*	Various	----	5	4	Lock Washer	Stainless Steel	18-8
2	1	Lever	Stainless Steel	301	6	1	Jam Nut	Stainless Steel	18-8
3	1	Limit Switch**	Various	----	7	1	Bracket w/ Label	Hot Rolled Steel	A36
4	2	SHCS	Stainless Steel	18-8	8	2	SHCS	Stainless Steel	18-8

*For Position Indicator details see sheet S745PI
 **Honeywell Model LSH1A or equal

Dimensions

Size		Part #	A		B		C (Width)		Weight	
inch	mm		inch	mm	inch	mm	inch	mm	lbs	kg
3 - 8	80 - 200	LS03, 04, 05, 06 or 08	7-3/4	197	5-7/16	138	2-3/4	70	7	3.2
10 - 16	250 - 400	LS10, 12, 14 or 16	7-3/4	197	5-7/16	138	2-3/4	70	8	3.6

Flomatic Corporation can accept no responsibility for possible errors in catalogues, brochures and other printed material. Flomatic Corporation reserves the right to alter its products without notices. This also applies to product already agreed. All trademarks in this material are property of the respective companies. All right reserved. ©2016 Flomatic Corporation. The drawings & information on this drawing sheet are the sole & exclusive property of Flomatic Corporation. Any reproduction, distribution, display or use of these drawings or information in whole or in part without written authorization of Flomatic Corporation is strictly prohibited.



September 22, 2011
 Dwg No: S745LS Rev: A (7/16)

FLOMATIC CORPORATION
 GLENS FALLS, N.Y. 12801
 PHONE (518) 761-9797
 FAX (518) 761-9798