

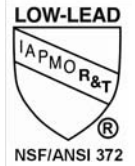
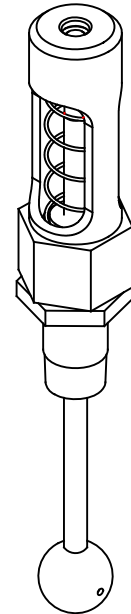
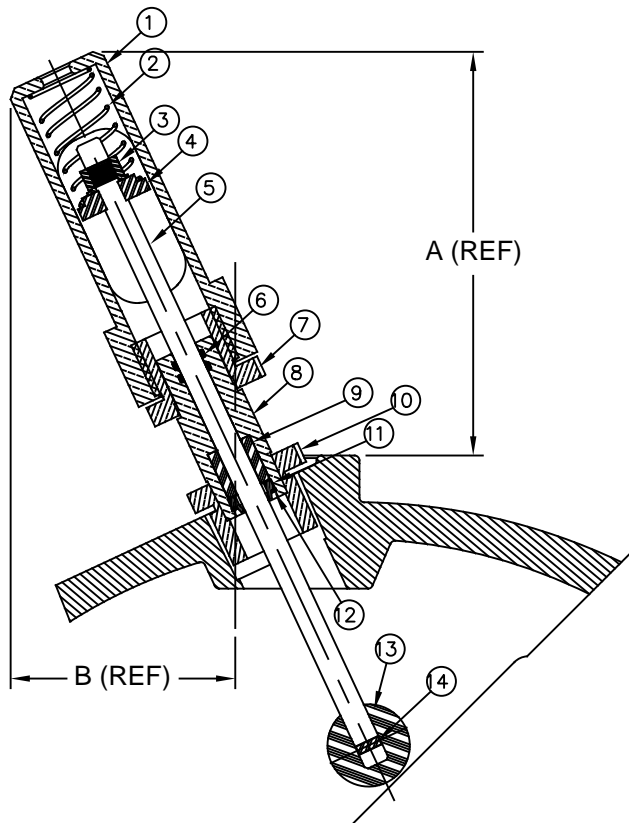
Swing Check Valve Position Indicator

Sizes 3" Thru 12" / 80 mm Thru 300 mm

Model 745 **FLOMATIC**[®]

Flomatic Corporation

Materials



Working Pressure: 250 psi / 17 Bar
For Valve Dimensions see sheet S745

| Item # | Qty | Description | Material | ASTM | Item # | Qty | Description | Material | ASTM |
|--------|-----|---------------|-----------------|--------|--------|-----|----------------|-----------------|--------|
| 1 | 1 | Sight Housing | Brass | C36000 | 8 | 1 | Body | Bronze | C93200 |
| 2 | 1 | Spring | Stainless Steel | 302 | 9 | 1 | Bushing | Acetal | ----- |
| 3 | 1 | Nut/Washer | Stainless Steel | 18-8 | 10 | 1 | Bushing | Bronze | C36000 |
| 4 | 1 | Spring Seat | Stainless Steel | 304 | 11 | 1 | Rod Wiper | Molythane | ----- |
| 5 | 1 | Rod | Stainless Steel | 304 | 12 | 1 | Retaining Ring | Stainless Steel | 302 |
| 6 | 2 | O'Ring | Buna-N | ----- | 13 | 1 | Contact Ball | Acetal | ----- |
| 7 | 1 | Nut | Bronze | C36000 | 14 | 1 | Pin | Stainless Steel | 420 |

Dimensions

| Size | | Part # | A (REF) | | B (REF) | | Weight | |
|------|-----|--------|---------|-----|---------|----|--------|-----|
| inch | mm | | inch | mm | inch | mm | lbs | kg |
| 3 | 80 | 2382PI | 5-1/2 | 140 | 2-3/4 | 70 | 1.22 | .55 |
| 4 | 100 | 2383PI | 5-1/2 | 140 | 2-3/4 | 70 | 1.22 | .55 |
| 6 | 150 | 2385PI | 5-1/2 | 140 | 2-3/4 | 70 | 1.25 | .57 |
| 8 | 200 | 2386PI | 5-1/2 | 140 | 2-3/4 | 70 | 1.27 | .58 |
| 10 | 250 | 2387PI | 5-1/2 | 140 | 2-3/4 | 70 | 1.30 | .59 |
| 12 | 300 | 2388PI | 5-1/2 | 140 | 2-3/4 | 70 | 1.32 | .60 |

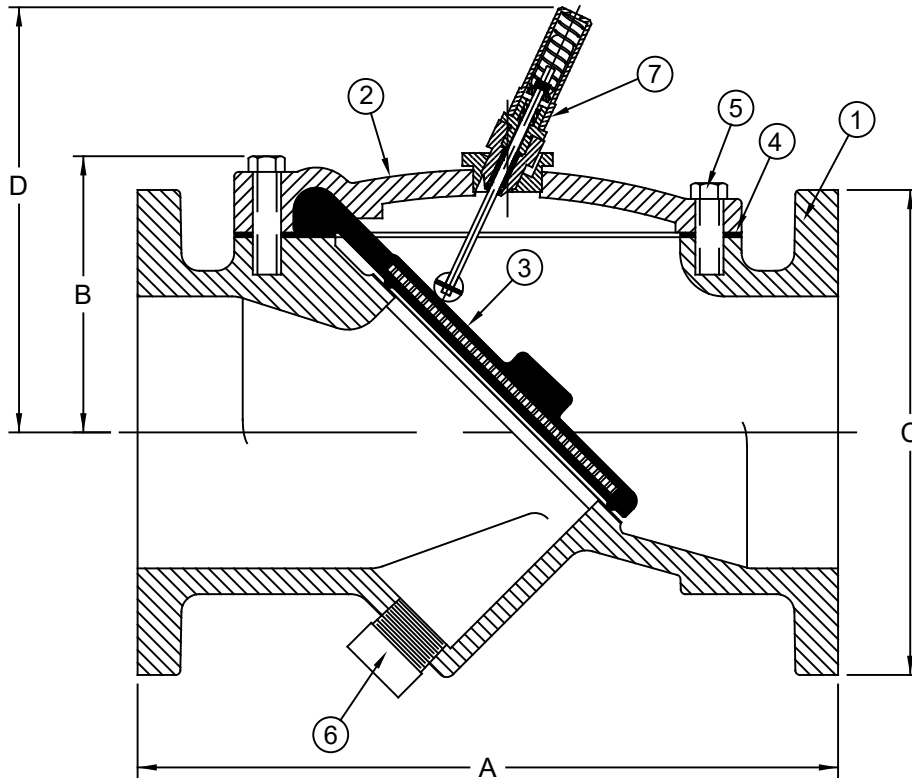
Flomatic Corporation can accept no responsibility for possible errors in catalogues, brochures and other printed material. Flomatic Corporation reserves the right to alter its products without notices. This also applies to product already agreed. All trademarks in this material are property of the respective companies. All rights reserved. ©2019 Flomatic Corporation. The drawings & information on this drawing sheet are the sole & exclusive property of Flomatic Corporation. Any reproduction, distribution, display or use of these drawings or information in whole or in part without written authorization of Flomatic Corporation is strictly prohibited. www.flomatic.com

Swing Check Valve

Sizes 14" Thru 24" / 350 mm Thru 600 mm

Model 745 **FLOMATIC**[®]
Flomatic Corporation

Materials (w/ Position Indicator)



Max Temp 140°F (60°C)
Max Pressure 250psi (18bar)

| Item # | Qty | Description | Material | ASTM |
|--------|-----|--------------------------|-------------------|-------------|
| 1 | 1 | Body | Ductile Iron | A536 |
| 2 | 1 | Cover | Ductile Iron | A536 |
| 3 | 1 | Disc* | Buna coated Steel | ----- |
| 4 | 1 | Gasket | Buna | ----- |
| 5 | A/R | Cover Bolt | Steel | SAE Grade 5 |
| 6 | 1 | Plug | Malleable Iron | ----- |
| 7 | 1 | Position Indicator Assm. | Various | ----- |

Dimensions (150# ANSI B16.42 Flanges)

* Optional Buna-N or Viton Coated Steel

| Size | | Part # | A | | B | | C | | D | | Weight | |
|------|-----|--------|------|------|--------|-----|--------|-----|------|----|--------|------|
| inch | mm | | inch | mm | inch | mm | inch | mm | inch | mm | lbs | kg |
| 14 | 350 | 2390PI | 31 | 787 | 13-3/8 | 240 | 21 | 533 | x | x | 740 | 336 |
| 16 | 400 | 2391PI | 32 | 813 | 15-3/8 | 391 | 23-1/2 | 597 | x | x | 1035 | 470 |
| 18 | 450 | 2392PI | 36 | 914 | 17-1/8 | 435 | 25 | 635 | x | x | 1540 | 699 |
| 20 | 500 | 2393PI | 40 | 1016 | 19-1/8 | 486 | 27-1/2 | 699 | x | x | 1835 | 832 |
| 24 | 600 | 2394PI | 48 | 1219 | 22-3/4 | 578 | 32 | 813 | x | x | 2475 | 1123 |

Flomatic Corporation can accept no responsibility for possible errors in catalogues, brochures and other printed material. Flomatic Corporation reserves the right to alter its products without notices. This also applies to product already agreed. All trademarks in this material are property of the respective companies. All rights reserved. ©2021 Flomatic Corporation. The drawings & information on this drawing sheet are the sole & exclusive property of Flomatic Corporation. Any reproduction, distribution, display or use of these drawings or information in whole or in part without written authorization of Flomatic Corporation is strictly prohibited. www.flomatic.com



July 14, 2009
Dwg No: S745PI_10-24 Rev: G (9/21)

FLOMATIC CORPORATION
GLENS FALLS, N.Y. 12801
PHONE (518) 761-9797
FAX (518) 761-9798