

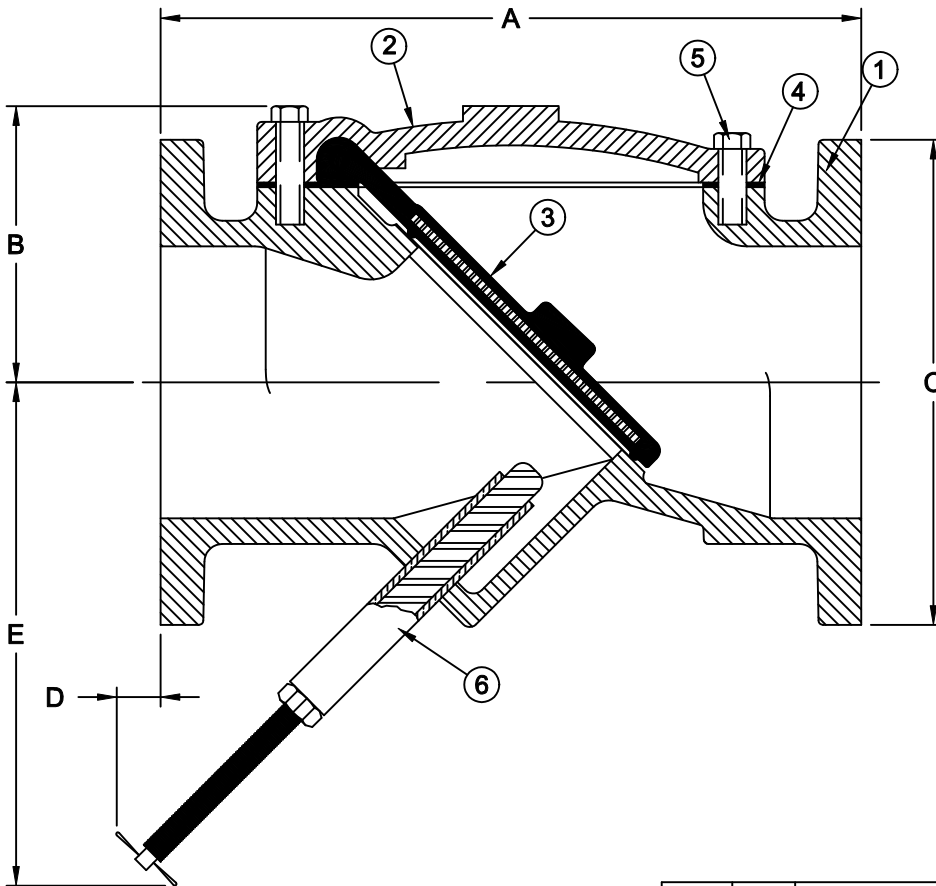
Swing Check Valve

Sizes 2" Thru 8" / 50 mm Thru 200 mm

Model 745BF **FLOMATIC**[®]

Flomatic Corporation

Materials (w/ Backflush)



Max Temp 140°F (60°C)
Max Pressure 250psi (18bar)

Item #	Qty	Description	Material	ASTM
1	1	Body	Ductile Iron	A536
2	1	Cover	Ductile Iron	A536
3	1	Disc*	Buna coated Steel	-----
4	1	Gasket	Buna	-----
5	A/R	Cover Bolt	Steel	SAE Grade 5
6	1	Backflow Actuator**	Brass	-----

* Optional Buna-N or Viton Coated Steel

** 2" & 2-1/2" Do not have a mechanical indicator boss.

Dimensions

Size		Part #	A		B		C		D		E		Weight	
Inch	mm		Inch	mm	Inch	mm	Inch	mm	Inch	mm	Inch	mm	lbs	kg
2	50	2380BF	8	203	3-3/8	86	6	152	-1/2	13	6-3/4	171	27	12
2-1/2	65	2381BF	8-1/2	216	3-3/8	86	7	178	-1/2	13	7	178	35	16
3	80	2382BF	9-1/2	241	3-7/8	98	7-1/2	191	-3/8	10	7-1/2	191	40	18
4	100	2383BF	11-1/2	292	4-5/8	117	9	229	1-1/2	38	7-1/4	184	68	31
6	150	2385BF	15	381	5-7/8	149	11	279	2	51	12	305	128	58
8	200	2386BF	19-1/2	495	7-5/8	194	13-1/2	343	2	51	15-3/4	400	235	107

Dimension "D" does not exceed past the flange on sizes 2" thru 3"

Flomatic Corporation can accept no responsibility for possible errors in catalogues, brochures and other printed material. Flomatic Corporation reserves the right to alter its products without notices. This also applies to product already agreed. All trademarks in this material are property of the respective companies. All right reserved. ©2016 Flomatic Corporation. The drawings & information on this drawing sheet are the sole & exclusive property of Flomatic Corporation. Any reproduction, distribution, display or use of these drawings or information in whole or in part without written authorization of Flomatic Corporation is strictly prohibited.

Swing Check Valve

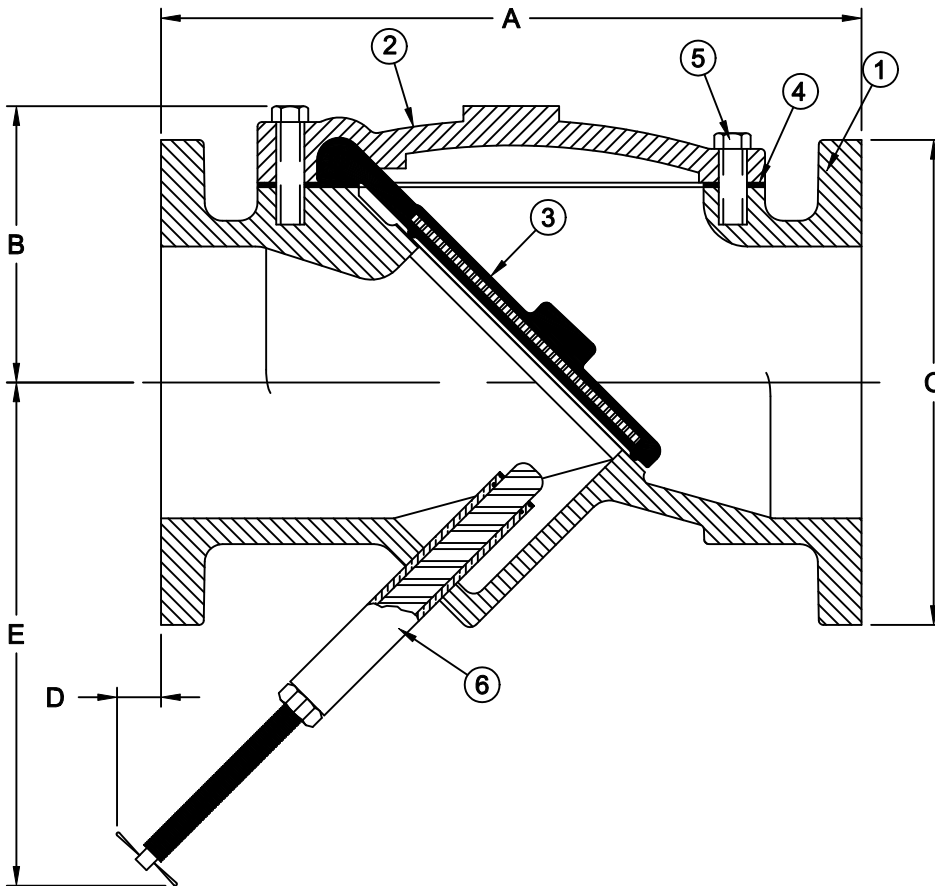
Sizes 10" Thru 24" / 250 mm Thru 600 mm

Model 745BF



Flomatic Corporation

Materials (w/ Backflush)



Max Temp 140°F (60°C)
Max Pressure 250psi (18bar)

Item #	Qty	Description	Material	ASTM
1	1	Body	Ductile Iron	A536
2	1	Cover	Ductile Iron	A536
3	1	Disc*	Buna coated Steel	-----
4	1	Gasket	Buna	-----
5	A/R	Cover Bolt	Steel	SAE Grade 5
6	1	Backflow Actuator	Brass	-----

* Optional Buna-N or Viton Coated Steel

Dimensions

Size		Part #	A		B		C		D		E		Weight	
Inch	mm		Inch	mm	Inch	mm	Inch	mm	Inch	mm	Inch	mm	lbs	kg
10	250	2387BF	24-1/2	622	9-7/8	251	16	406	4	102	20-5/8	524	380	173
12	300	2388BF	27-1/2	699	11-3/8	289	19	483	3-1/2	89	22-1/2	572	620	281
14	350	2389BF	31	787	13-3/8	240	21	533	4	102	26-1/4	667	740	336
16	400	2390BF	32	813	15-3/8	391	23-1/2	597	4-5/8	117	30	762	1035	470
18	450	2391BF	36	914	17-1/8	435	25	635	5-1/4	133	33-3/4	857	1540	699
20	500	2392BF	40	1016	19-1/8	486	27-1/2	699	5-7/8	149	37-1/2	953	1835	832
24	600	2394BF	48	1219	22-3/4	578	32	813	7	178	45	1143	2475	1123

Flomatic Corporation can accept no responsibility for possible errors in catalogues, brochures and other printed material. Flomatic Corporation reserves the right to alter its products without notices. This also applies to product already agreed. All trademarks in this material are property of the respective companies. All right reserved. ©2016 Flomatic Corporation. The drawings & information on this drawing sheet are the sole & exclusive property of Flomatic Corporation. Any reproduction, distribution, display or use of these drawings or information in whole or in part without written authorization of Flomatic Corporation is strictly prohibited.



May 26, 2004
Dwg No: S745BF_2 Rev: E (9/16)

FLOMATIC CORPORATION
GLENS FALLS, N.Y. 12801
PHONE (518) 761-9797
FAX (518) 761-9798