

# Wafer Check Valve

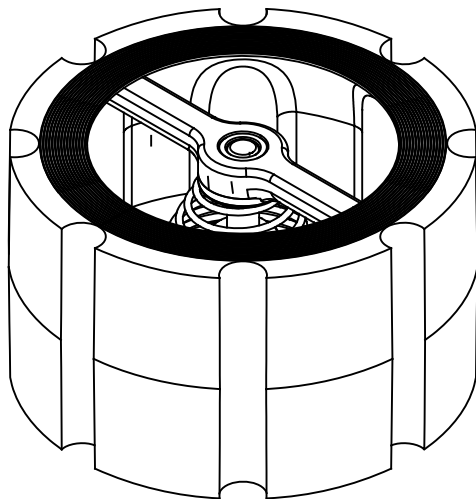
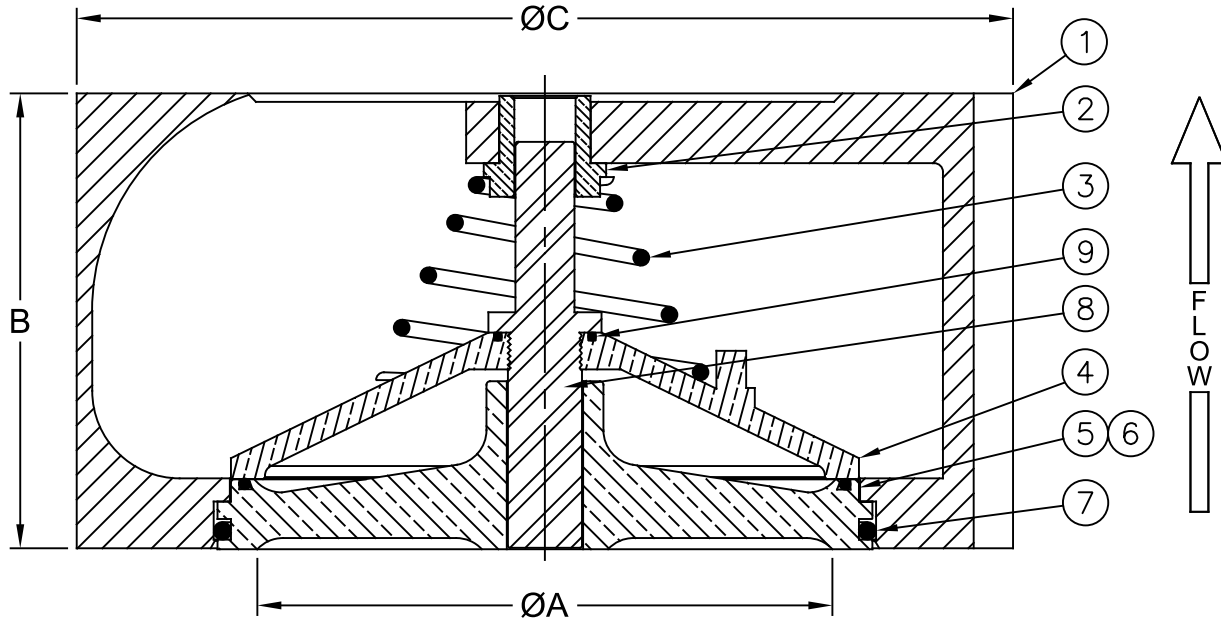
Silent Check

Model 888R **FLOMATIC®**

Sizes 8" & 10" / 200 mm & 250 mm

Flomatic Corporation

## Materials (Ductile Iron Body)



Max Temp 200°F (93°C)  
Max Inlet Pressure @ 150° F (65°C) 150# 300 psi (21bar)

Item #	Qty	Description	Material	ASTM
1	1	Body (Epoxy Coated)	Ductile Iron	A536 65-45-12
2	1	Bushing	Bronze	C95400
3	1	Spring	Stainless Steel	302
4	1	Poppet	Silicon Brass	C87800
5	1	Seat Ring*	Silicon Brass	C87800
6	1	O-Ring	EPDM	5778-70
7	1	O-Ring	EPDM	5778-70
8	1	Stem	Stainless Steel	316
9	1	O-Ring	EPDM	5778-70

\*OPTIONAL METAL TO METAL SEAT AVAILABLE, REMOVE "R" FROM PART NUMBER

## Dimensions

MSS SP-125 Compliant  
PATENT # 6,024,121

Size		Part #	ØA		B		ØC		Weight		# of Bolts	Bolt Size by Flange	
inch	mm		inch	mm	inch	mm	inch	mm	lbs	kg		150#	150#
8	200	2438R	8-7/32	209	6-1/2	165	13-3/8	340	80	36	8	3/4 X 9	
10	250	2439R	10-7/64	257	8-1/4	210	16	406	129	59	12	7/8 X 12-1/2	

Flomatic Corporation can accept no responsibility for possible errors in catalogues, brochures and other printed material. Flomatic Corporation reserves the right to alter its products without notices. This also applies to product already agreed. All trademarks in this material are property of the respective companies. All rights reserved. ©2021 Flomatic Corporation. The drawings & information on this drawing sheet are the sole & exclusive property of Flomatic Corporation. Any reproduction, distribution, display or use of these drawings or information in whole or in part without written authorization of Flomatic Corporation is strictly prohibited. www.flomatic.com