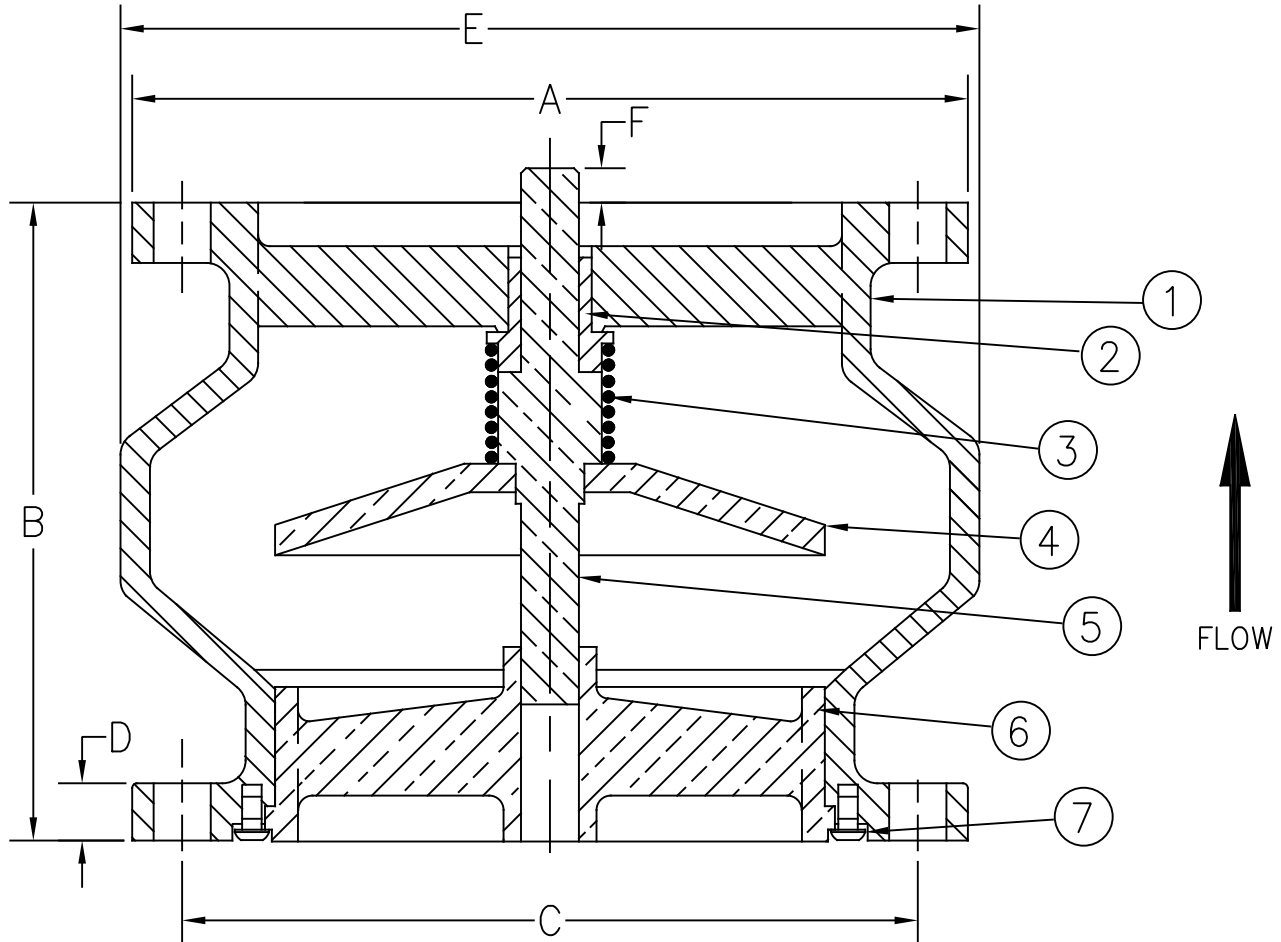




Materials



Item #	Qty	Description	Material	ASTM
1	1	Body (Epoxy Coated)	Cast Iron	A126 CLASS B
2	1	Bushing	Bronze	C95400
3	1	Spring	Stainless Steel	316
4	1	Poppet	Bronze	95500
5	1	Stem	Bronze	C97600
6	1	*Seat Ring	Bronze	C87600
7	3	Retaining Screws	Stainless Steel	316

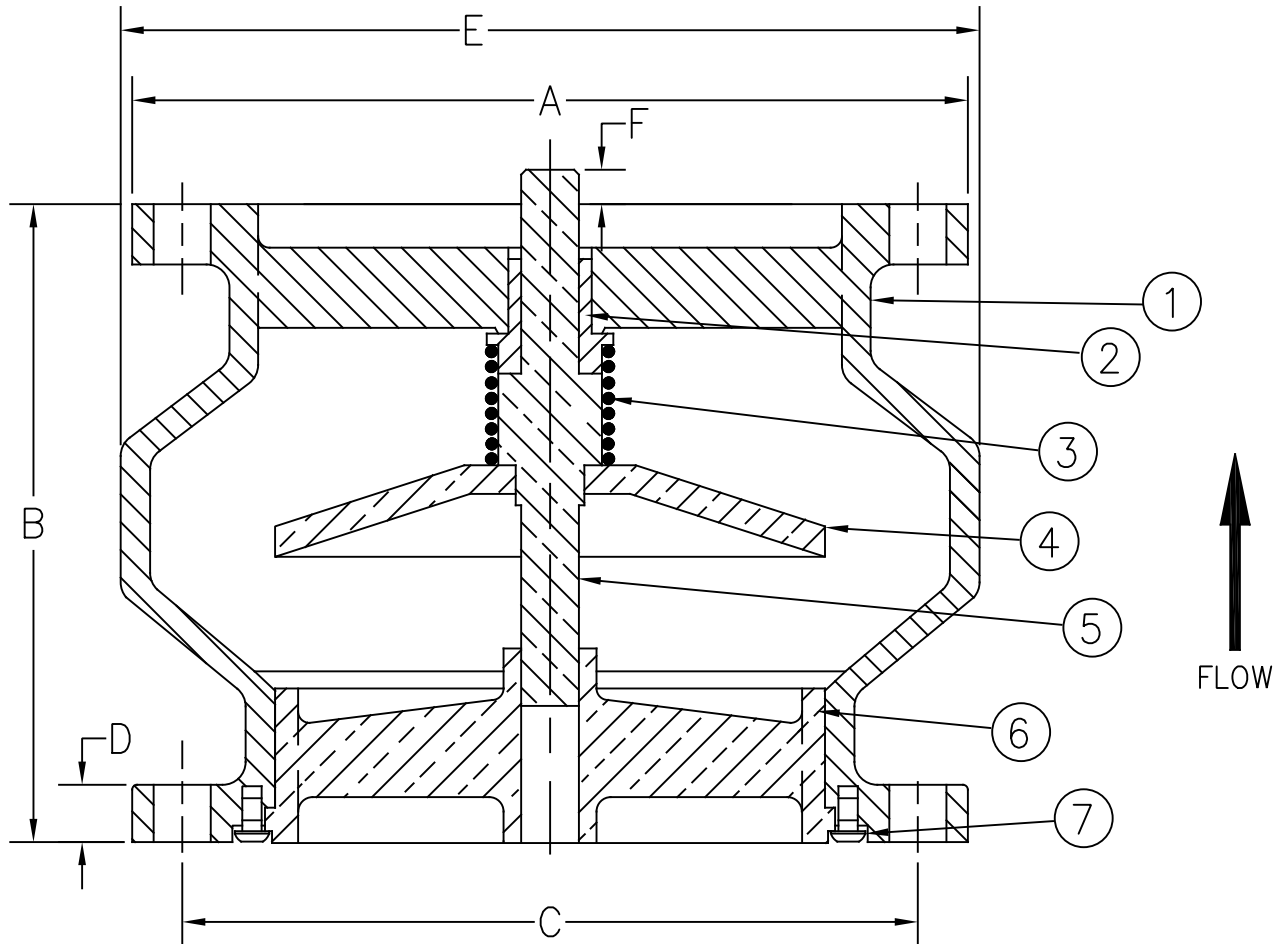
*OPTIONAL RESILIENT SEAT AVAILABLE, ADD "R" TO THE PART NUMBER
Max Inlet Pressure @ 150°F (65°C) 250# 300psi (21bar)
MSS SP-125 Compliant

Dimensions (250# Ansi B16.1 Flanges)

Size		Part #	ØA		B		ØC		D		ØE		F		Weight		Bolt Size	# of Bolts
inch	mm		inch	mm	inch	mm	inch	mm	inch	mm	inch	mm	lbs	kg				
14	350	2249BT2	23	584	15-3/4	400	20-1/4	514	2-1/8	54	22	559	1-7/16	37	500	227	1-1/8	20
16	400	2250BT2	25-1/2	648	17-5/8	448	22-1/2	572	2-1/4	57	25	635	2-1/4	57	700	318	1-1/4	20
18	450	2251BT2	28	711	18-3/4	476	24-3/4	629	2-3/8	60	28	711	2-1/4	57	950	431	1-1/4	24

Flomatic Corporation can accept no responsibility for possible errors in catalogues, brochures and other printed material. Flomatic Corporation reserves the right to alter its products without notices. This also applies to product already agreed. All trademarks in this material are property of the respective companies. All rights reserved. ©2020 Flomatic Corporation. The drawings & information on this drawing sheet are the sole & exclusive property of Flomatic Corporation. Any reproduction, distribution, display or use of these drawings or information in whole or in part without written authorization of Flomatic Corporation is strictly prohibited. www.flomatic.com

Materials



Item #	Qty	Description	Material	ASTM
1	1	Body (Epoxy Coated)	Cast Iron	A126 CLASS B
2	1	Bushing	Bronze	C95400
3	1	Spring	Stainless Steel	316
4	1	Poppet	Bronze	C95500
5	1	Stem	Bronze	C95400
6	1	*Seat Ring	Bronze	C87600
7	3	Retaining Screws	Stainless Steel	316

*OPTIONAL RESILIENT SEAT AVAILABLE, ADD "R" TO THE PART NUMBER
Max Inlet Pressure @ 150°F (65°C) 250# 300psi (21bar)
MSS SP-125 Compliant

Dimensions (250# Ansi B16.1 Flanges)

Size		Part #	ØA		B		ØC		D		ØE		F		Weight		Bolt Size	# of Bolts
inch	mm		inch	mm	inch	mm	inch	mm	inch	mm	inch	mm	inch	mm	lbs	kg		
20	500	2252BT2	30-1/2	775	20-5/8	524	27	686	2-1/2	64	31	787	2-15/16	75	1200	544	1-1/4	24
24	600	2254BT2	36	914	24	610	32	813	2-3/4	70	37	940	3-5/8	92	1700	771	1-1/2	24

Flomatic Corporation can accept no responsibility for possible errors in catalogues, brochures and other printed material. Flomatic Corporation reserves the right to alter its products without notices. This also applies to product already agreed. All trademarks in this material are property of the respective companies. All right reserved. ©2016 Flomatic Corporation. The drawings & information on this drawing sheet are the sole & exclusive property of Flomatic Corporation. Any reproduction, distribution, display or use of these drawings or information in whole or in part without written authorization of Flomatic Corporation is strictly prohibited.