

# Globe Style

# Silent Check

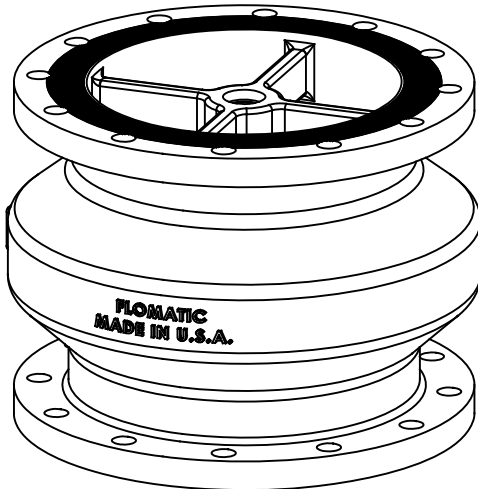
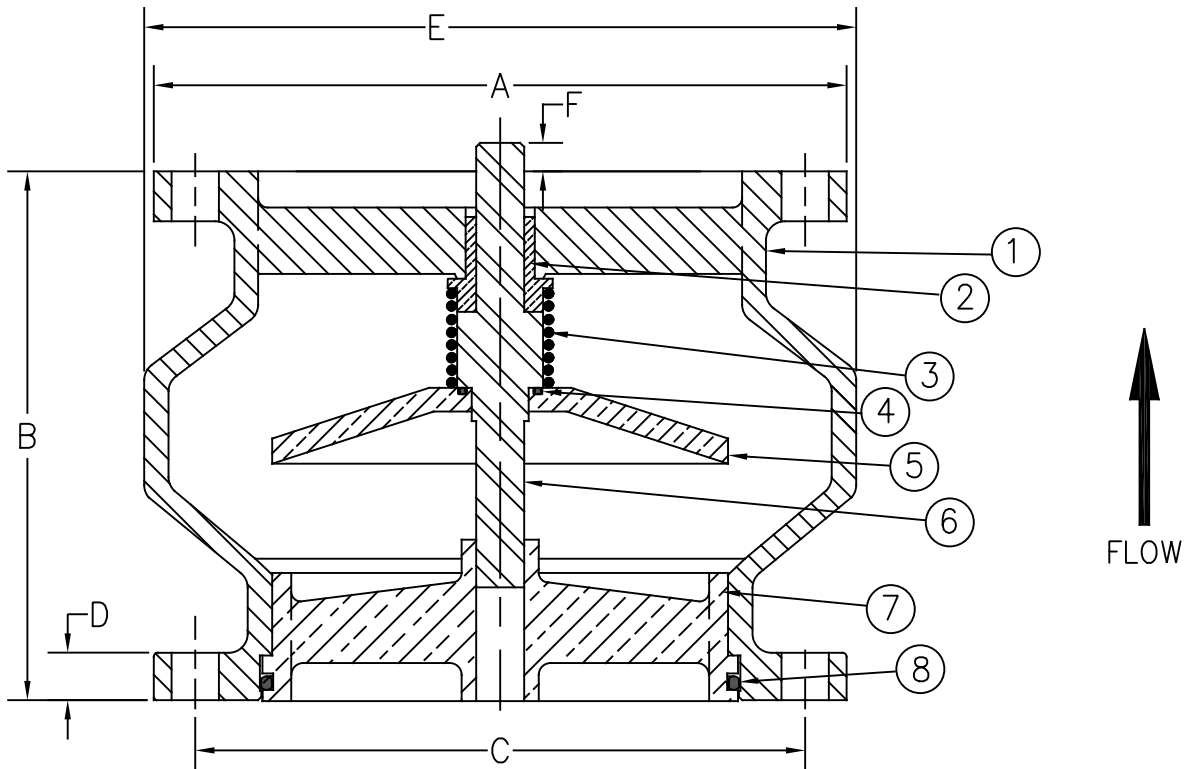
# Model 402BT



Sizes 12" / 300 mm  
150# Flange

Flomatic Corporation

## Materials



Item #	Qty	Description	Material	ASTM
1	1	Body (Epoxy Coated)	Ductile Iron	A 536 65-45-12
2	1	Bushing	Bronze	C95400
3	1	Spring	Stainless Steel	304
4	1	O'Ring	EPDM	5778-70
5	1	Poppet	Silicone Brass	C87800
6	1	Stem	Stainless Steel	316
7	1	*Seat Ring	Bronze	C89833
8	1	O'Ring	EPDM	5778-70

\*OPTIONAL RESILIENT SEAT AVAILABLE, ADD "R" TO THE PART NUMBER

Max Temp 200°F (93°C)

Max Inlet Pressure @ 150° F (65°C) 150# 300 psi (21bar)

MSS SP-125 Compliant

PATENT # 6,024,121

## Dimensions (150# Ansi B16.42 Flanges)

Size		Part #	ØA		B		ØC		D		ØE		F		Weight		Bolt Size	# of Bolts
inch	mm		inch	mm	inch	mm	inch	mm	inch	mm	inch	mm	inch	mm	lbs	kg		
12	300	2248BT	19	483	14-1/2	368	17	432	1-1/4	32	19-1/2	495	13/16	21	306	139	7/8	12

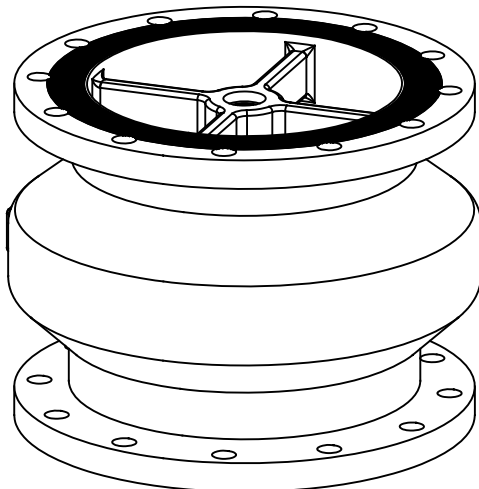
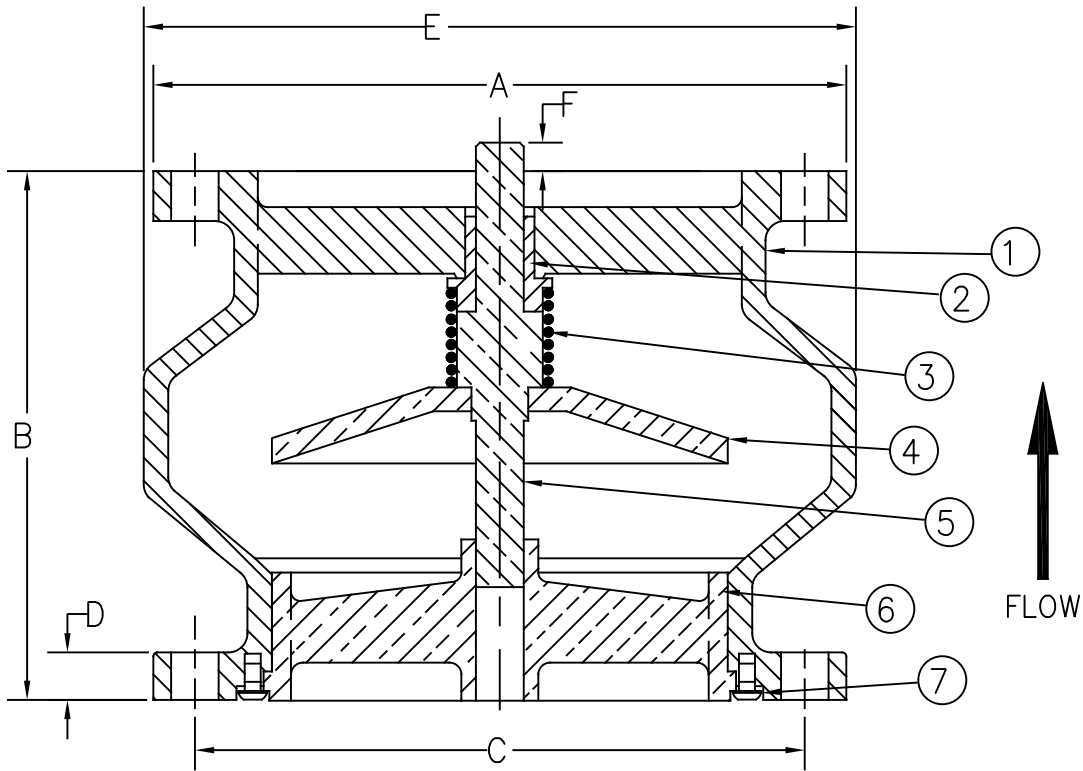
Flomatic Corporation can accept no responsibility for possible errors in catalogues, brochures and other printed material. Flomatic Corporation reserves the right to alter its products without notices. This also applies to product already agreed. All trademarks in this material are property of the respective companies. All rights reserved. ©2020 Flomatic Corporation. The drawings & information on this drawing sheet are the sole & exclusive property of Flomatic Corporation. Any reproduction, distribution, display or use of these drawings or information in whole or in part without written authorization of Flomatic Corporation is strictly prohibited. [www.flomatic.com](http://www.flomatic.com)



April 4, 1995  
Dwg No: S402BT-3 Rev: N (3/20)

FLOMATIC CORPORATION  
GLENS FALLS, N.Y. 12801  
PHONE (518) 761-9797  
FAX (518) 761-9798

Materials



Item #	Qty	Description	Material	ASTM
1	1	Body (Epoxy Coated)	Cast Iron	A126 Class B
2	1	Bushing	Bronze	C95400
3	1	Spring	Stainless Steel	316
4	1	Poppet	Bronze	C87600
5	1	Stem	Bronze	B584
6	1	*Seat Ring	Bronze	C87600
7	3	Button Head Socket Screw	Stainless Steel	316

\*OPTIONAL RESILIENT SEAT AVAILABLE, ADD "R" TO THE PART NUMBER  
Max Temp 180°F (82°C)

Max Inlet Pressure @ 150° F (65°C) 125# 150 psi (10bar)  
MSS SP-125 Compliant

Dimensions (125# Ansi B16.1 Flanges)

Size		Part #	ØA		B		ØC		D		ØE		F		Weight		Bolt Size	# of Bolts
inch	mm		inch	mm	inch	mm	inch	mm	inch	mm	inch	mm	inch	mm	lbs	kg		
14	350	2249BT	21	533	15-3/4	400	18-3/4	476	1-3/8	35	22	559	1-7/16	37	380	172	1	12
18	450	2251BT	25	635	18-3/4	476	22-3/4	578	1-9/16	40	28	711	2-1/4	57	724	328	1-1/8	16

Flomatic Corporation can accept no responsibility for possible errors in catalogues, brochures and other printed material. Flomatic Corporation reserves the right to alter its products without notices. This also applies to product already agreed. All trademarks in this material are property of the respective companies. All rights reserved. ©2020 Flomatic Corporation. The drawings & information on this drawing sheet are the sole & exclusive property of Flomatic Corporation. Any reproduction, distribution, display or use of these drawings or information in whole or in part without written authorization of Flomatic Corporation is strictly prohibited. www.flomatic.com