

Globe Style

Silent Check

Model 402BT



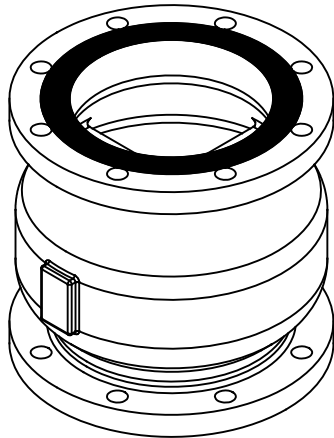
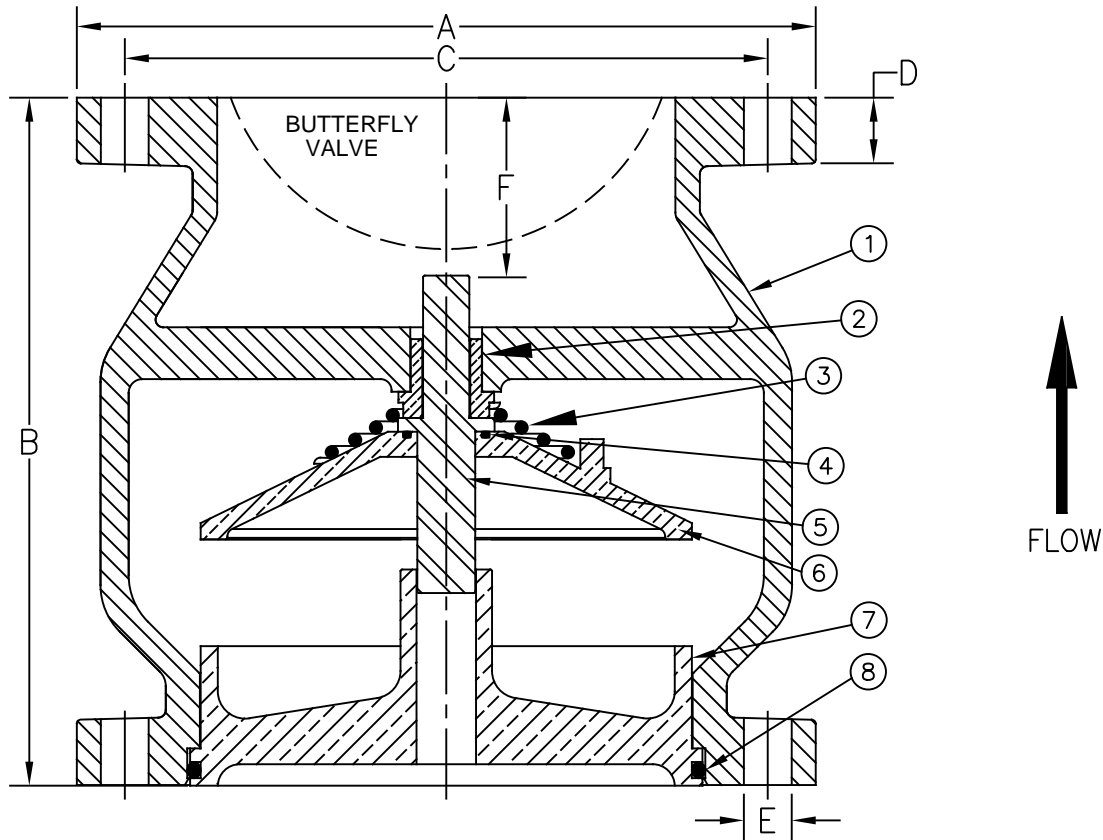
Sizes 8" Thru 10" / 200 mm Thru 250 mm
150# Flange

Flomatic Corporation

LEAD FREE
NSF/ANSI 61



Materials



Item #	Qty	Description	Material	ASTM
1	1	Body (Epoxy Coated)	Ductile Iron	A536 65-45-12
2	1	Bushing	Bronze	C95400
3	1	Spring	Stainless Steel	302
4	1	O'ring	EPDM	5778-70
5	1	Stem	Stainless Steel	316
6	1	Poppet	Silicone Brass	C87800
7	1	*Seat Ring	Bronze	C89833
8	1	O-Ring	EPDM	5778-70

*OPTIONAL RESILIENT SEAT AVAILABLE, ADD "R" TO THE PART NUMBER

Max Temp 200°F (93°C)

Max Inlet Pressure @ 150° F (65°C) 150# 300 psi (21bar)

MSS SP-125 Compliant

PATENT # 6,024,121

Dimensions (150# Ansi B16.42 Flanges)

Size		Part #	ØA		B		ØC		D		ØE		F		Weight		Bolt Size	# of Bolts
inch	mm		inch	mm	inch	mm	inch	mm	inch	mm	inch	mm	inch	mm	lbs	kg		
8	200	2245BT	13-1/2	343	12-9/16	319	11-3/4	299	1-1/8	29	7/8	22	3-1/4	83	116	53	3/4	8
10	250	2247BT	16	406	15-1/2	394	14-1/4	362	1-3/16	30	1	25	4-1/4	108	194	88	7/8	12

Flomatic Corporation can accept no responsibility for possible errors in catalogues, brochures and other printed material. Flomatic Corporation reserves the right to alter its products without notices. This also applies to product already agreed. All trademarks in this material are property of the respective companies. All rights reserved. ©2020 Flomatic Corporation. The drawings & information on this drawing sheet are the sole & exclusive property of Flomatic Corporation. Any reproduction, distribution, display or use of these drawings or information in whole or in part without written authorization of Flomatic Corporation is strictly prohibited. www.flomatic.com



April 5, 1995
Dwg No: S402BT-2 Rev: R (4/20)

FLOMATIC CORPORATION
GLENS FALLS, N.Y. 12801
PHONE (518) 761-9797
FAX (518) 761-9798