

Stainless Steel Check Valve Model 80S6CLVFD

Sizes 3" Thru 8" / 75mm Thru 200mm

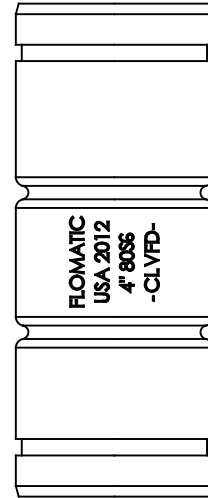
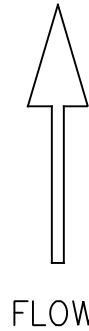
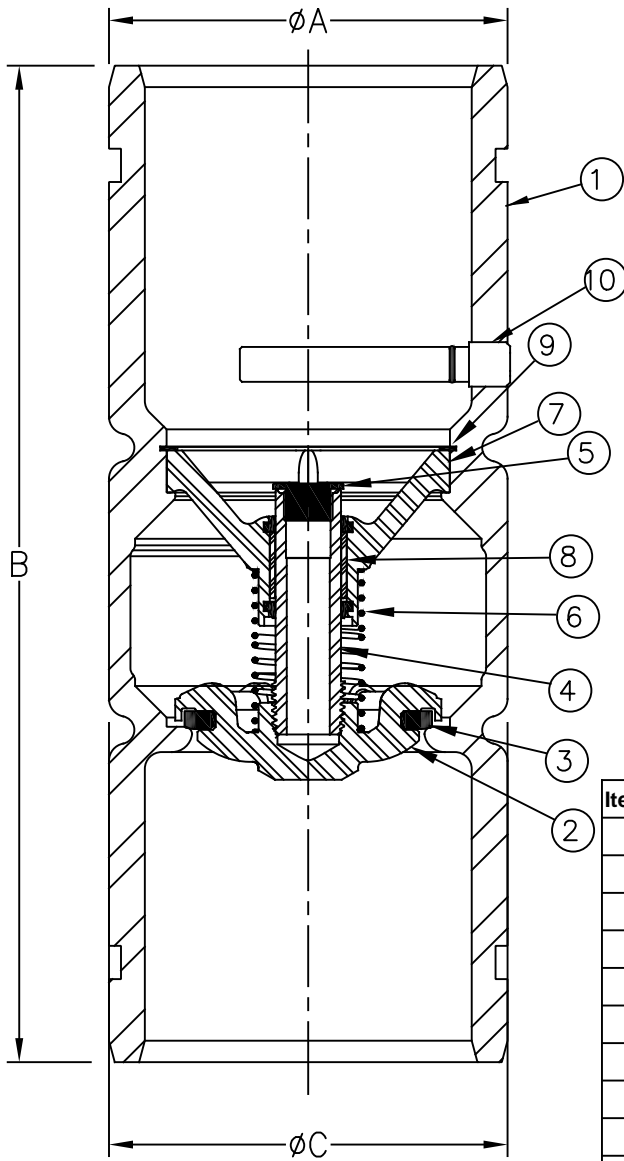


Flomatic Corporation

LEAD FREE
NSF/ANSI 61



Materials



Max Temp 180°F (82°C)
Max Pressure 400psi (28bar)

Item #	Qty	Description	Material	ASTM
1	1	Body	Stainless Steel	316
2	1	Poppet	Stainless Steel	316
3	1	Seat Disc	Buna-N	-----
4	1	Stem	Stainless Steel	316
5	1	Stem Cap	Engineered Composite	-----
6	1	Spring	Stainless Steel	316
7	1	Stem Guide	Stainless Steel	316
8	1	Bushing	Engineered Composite	-----
9	1	Retaining Ring	Stainless Steel	302
10	1	Optional Break-Off Plug	Stainless Steel or Nylon (NSF Approved)	304 or Ultramin

Dimensions (Certa-Lok®)

Patent # 9,032,992

Size		Part #	A		B		C		Weight	
inch	mm		inch	mm	inch	mm	inch	mm	lbs	kg
3	75	7938S6CLVFD	3-1/2	89	9-37/64	243	4-1/8	105	10	5
4	100	7939S6CLVFD	4-1/2	114	11-1/4	286	4-1/2	114	27	12
5	125	4088S6CLVFD	5-3/4	146	12-3/4	324	5-9/16	141	32	15
6	150	4089S6CLVFD	5-5/8	168	14-1/4	362	7-1/2	191	47	21
8	200	4090S6CLVFD	8-5/8	219	19-1/2	495	9	229	90	41

Flomatic Corporation can accept no responsibility for possible errors in catalogues, brochures and other printed material. Flomatic Corporation reserves the right to alter its products without notices. This also applies to product already agreed. All trademarks in this material are property of the respective companies. All right reserved. ©2018 Flomatic Corporation. The drawings & information on this drawing sheet are the sole & exclusive property of Flomatic Corporation. Any reproduction, distribution, display or use of these drawings or information in whole or in part without written authorization of Flomatic Corporation is strictly prohibited. www.flomatic.com



April 2, 2013
Dwg No: S7939S6-VFDCL Rev: D (9/18)

FLOMATIC CORPORATION
GLENS FALLS, N.Y. 12801
PHONE (518) 761-9797
FAX (518) 761-9798