

Stainless Steel Check Valve

Model 80S6-VFD

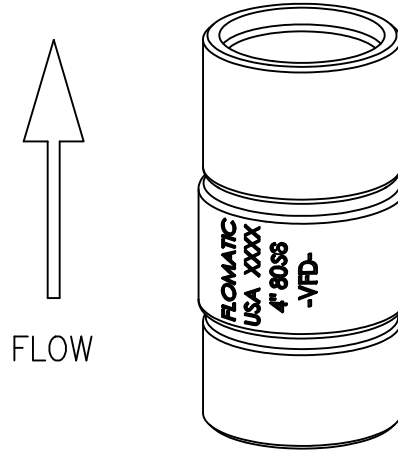
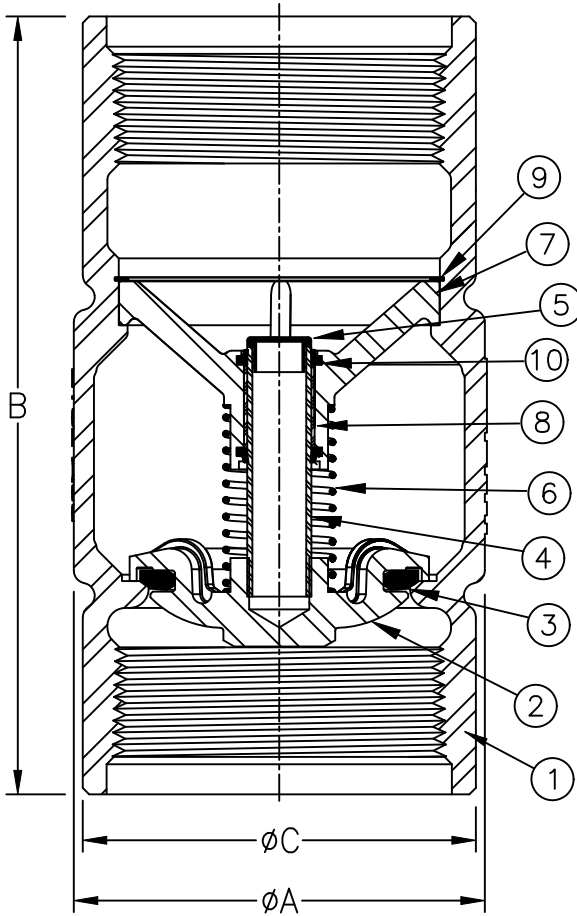


Flomatic Corporation

Sizes 2" thru 8" / 50mm thru 200mm



Materials



Max Temp 180°F (82°C)
Max Pressure 600psi (42bar)
Optional Female 8 round Threads

Item #	Qty	Description	Material	ASTM
1	1	Body	Stainless Steel	316
2	1	Poppet	Stainless Steel	316
3	1	Seat Disc	Buna-N	N-5007*
4	1	Stem	Stainless Steel	316
5	1	Stem Cap**	Engineered Composite	-----
6	1	Spring	Stainless Steel	304
7	1	Stem Guide	Stainless Steel	316
8	1	Bushing	Engineered Composite	-----
9	1	Retaining Ring	Stainless Steel	302
10	2	Wiper	Engineered Composite	Molythane

Dimensions (FNPT x FNPT)

*8" uses N-6010
** Not Used on 2" & 2-1/2"

Size		Part #	A		B		C		Weight	
inch	mm		inch	mm	inch	mm	inch	mm	lbs	kg
2	50	4034S6VFD	3	76	5-5/32	131	2-7/8	73	5	2.3
2-1/2	65	7936S6VFD	3-5/8	92	6-31/32	177	3-3/8	86	10	4.5
3	75	7938S6VFD	4-3/8	111	8-37/64	218	4-13/64	107	13	5.9
4	100	7939S6VFD	5-3/4	146	11-1/4	286	5-1/2	140	30	14
5	125	4088S6VFD	6-29/32	175	13-5/8	346	6-19/32	167	42	19
6	150	4089S6VFD	8	203	15-9/64	385	7-21/32	194	69	31
8	200	4090XSSVFD	9-11/16	246	15-27/32	402	9-11/16	246	95	43

Flomatic Corporation can accept no responsibility for possible errors in catalogues, brochures and other printed material. Flomatic Corporation reserves the right to alter its products without notices. This also applies to product already agreed. All trademarks in this material are property of the respective companies. All right reserved. ©2016 Flomatic Corporation. The drawings & information on this drawing sheet are the sole & exclusive property of Flomatic Corporation. Any reproduction, distribution, display or use of these drawings or information in whole or in part without written authorization of Flomatic Corporation is strictly prohibited.



September 27, 2012
Dwg No: S7939S6-VFD Rev: E (8/16)

FLOMATIC CORPORATION
GLENS FALLS, N.Y. 12801
PHONE (518) 761-9797
FAX (518) 761-9798