

# Stainless Steel Check Valve

# Model CV80S6

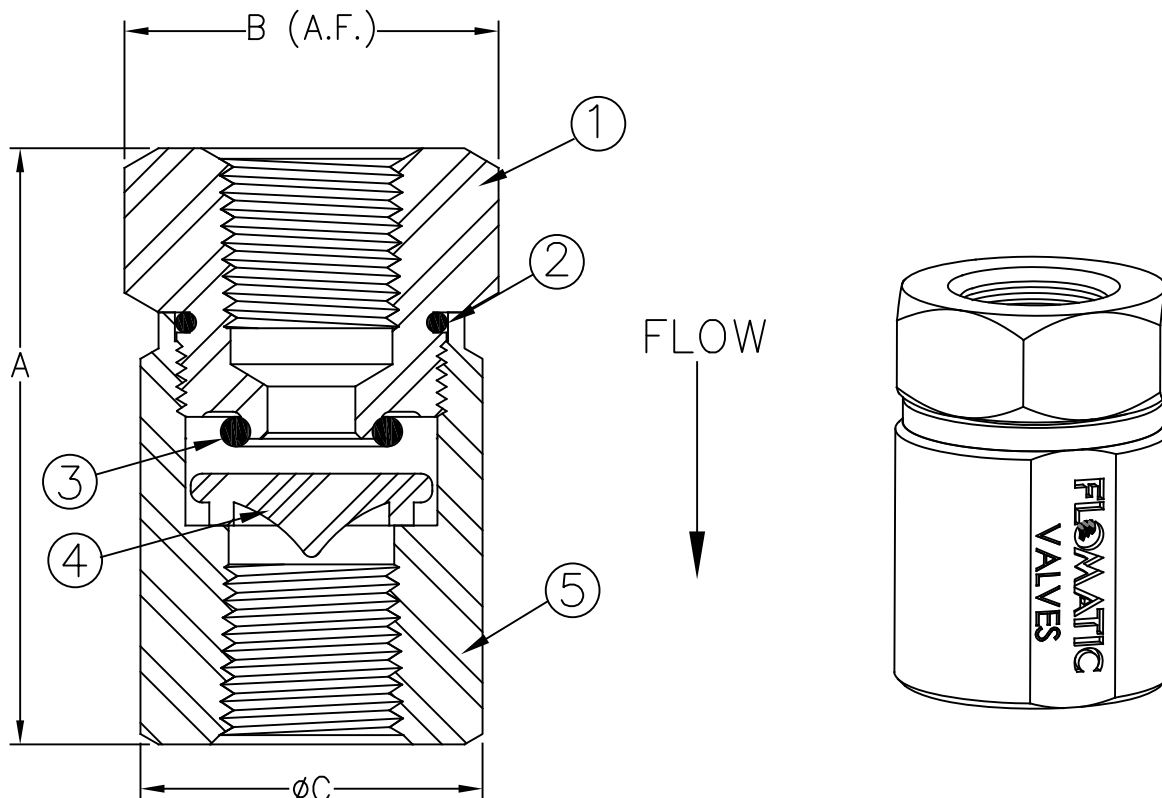


Flomatic Corporation

Sizes 1/4" thru 1/2" / 8 mm thru 15 mm



## Materials



Item #	Qty	Description	Material	ASTM
1	1	Tailpiece	Stainless Steel	316
2	1	O'Ring*	Buna-N	316
3	1	O'Ring*	Buna-N	-----
4	2	Poppet	Delrin	500P
5	1	Body	Stainless Steel	316

\* Viton available

Max Temp 180°F (82°C)  
Max Pressure 400psi (28bar)

## Dimensions

Size		Part #	A		B Hex		ØC		Weight	
inch	mm		inch	mm	inch	mm	inch	mm	lbs	kg
1/4	8	5158	2-1/16	52	1-1/8	29	1-3/16	30	.45	.21
3/8	10	5159	2-1/16	52	1-1/8	29	1-3/16	30	.43	.20
1/2	15	4029	2-5/64	53	1-3/8	35	1-7/16	37	.59	.27

Flomatic Corporation can accept no responsibility for possible errors in catalogues, brochures and other printed material. Flomatic Corporation reserves the right to alter its products without notices. This also applies to product already agreed. All trademarks in this material are property of the respective companies. All right reserved. ©2018 Flomatic Corporation. The drawings & information on this drawing sheet are the sole & exclusive property of Flomatic Corporation. Any reproduction, distribution, display or use of these drawings or information in whole or in part without written authorization of Flomatic Corporation is strictly prohibited. [www.flomatic.com](http://www.flomatic.com)



Sept 9, 2009  
Dwg No:SCV80SS Rev D (10/19)

FLOMATIC CORPORATION  
GLENS FALLS, N.Y. 12801  
PHONE (518) 761-9797  
FAX (518) 761-9798