

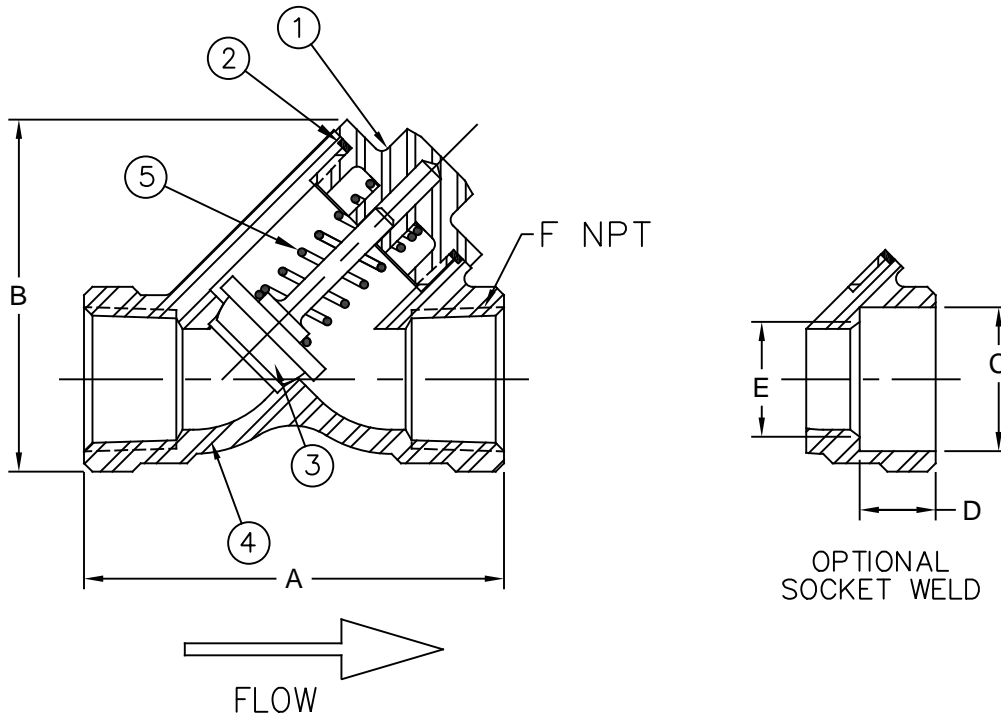
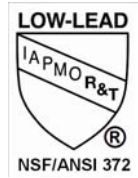
Stainless Steel Check Valve

Model 816 **FLOMATIC**[®]

Sizes 1/4" thru 2" / 8mm thru 50mm

Flomatic Corporation

Materials



Max Temp 450°F (230°C)
Max Pressure 600psi (43bar)

Item #	Qty	Description	Material	ASTM
1	1	Cap	Stainless Steel	316
2	1	Gasket	PTFE	-----
3	1	Plunger Assembly	Stainless Steel/PTFE	316
4	1	Body	Stainless Steel	316
5	1	Spring	Stainless Steel	316

Dimensions (NPT ANSI B 1.20.1)

Size		Part #	A		B		C		D		E (Sch 5)		E (Sch 40)		E (Sch 80)		Weight	
inch	mm		inch	mm	inch	mm	inch	mm	inch	mm	inch	mm	inch	mm	inch	mm	lbs	kg
1/4	8	YV250110100	2.44	62	2.20	56	.565	14.4	.38	9.7	.442	11.2	.364	9.2	.302	7.7	.9	.41
3/8	10	YV375110100	2.44	62	2.20	56	.700	17.8	.38	9.7	.527	13.4	.493	12.5	.423	10.7	.85	.39
1/2	15	YV500110100	2.44	62	2.20	56	.865	22.0	.38	9.7	.710	18.0	.622	15.8	.546	13.9	.8	.36
3/4	20	YV750110100	3.13	80	2.76	70	1.075	27.3	.50	12.7	.920	23.4	.824	20.9	.742	18.9	1.2	.54
1	25	YV001110100	3.50	89	3.30	84	1.340	34.0	.50	12.7	1.185	30.1	1.049	26.6	.957	24.3	1.7	.77
1-1/4	32	YV125110100	4.75	121	3.95	100	1.685	42.8	.50	12.7	1.530	38.9	1.380	35.1	1.278	32.5	4.0	1.8
1-1/2	40	YV015110100	4.75	121	4.43	113	1.925	48.9	.50	12.7	1.770	45.0	1.610	40.9	1.500	38.1	4.0	1.8
2	50	YV002110100	6.00	152	5.49	139	2.416	61.4	.62	15.8	2.245	57.0	2.067	25.5	1.939	49.3	6.7	3.0

Flomatic Corporation can accept no responsibility for possible errors in catalogues, brochures and other printed material. Flomatic Corporation reserves the right to alter its products without notices. This also applies to product already agreed. All trademarks in this material are property of the respective companies. All rights reserved. ©2020 Flomatic Corporation. The drawings & information on this drawing sheet are the sole & exclusive property of Flomatic Corporation. Any reproduction, distribution, display or use of these drawings or information in whole or in part without written authorization of Flomatic Corporation is strictly prohibited. www.flomatic.com

Stainless Steel Check Valve

Model 816



Flomatic Corporation

Sizes 1/4" thru 2" / 8mm thru 50mm
Cracking Pressures 2 thru 20 psi



Stainless Steel (NPT ANSI B1.20.1, 316 SS body, PTFE Seat & Seal, Optional Cracking Pressure)

Size		Standard Part #	Cracking Pressure				
inch	mm		2 psi	5 psi	10 psi	15 psi	20 psi
1/4	8	YV250110100	YV250110107-2	YV250110107-5	YV250110107-10	YV250110107-15	YV250110107-20
3/8	10	YV375110100	YV375110107-2	YV375110107-5	YV375110107-10	YV375110107-15	YV375110107-20
1/2	15	YV500110100	YV500110107-2	YV500110107-5	YV500110107-10	YV500110107-15	YV500110107-20
3/4	20	YV750110100	YV750110107-2	YV750110107-5	YV750110107-10	YV750110107-15	YV750110107-20
1	25	YV001110100	YV001110107-2	YV001110107-5	YV001110107-10	YV001110107-15	YV001110107-20
1-1/4	32	YV125110100	YV125110107-2	YV125110107-5	YV125110107-10	YV125110107-15	YV125110107-20
1-1/2	40	YV015110100	YV015110107-2	YV015110107-5	YV015110107-10	YV015110107-15	YV015110107-20
2	50	YV002110100	YV002110107-2	YV002110107-5	YV002110107-10	YV002110107-15	YV002110107-20

Carbon Steel (NPT ANSI B1.20.1, WCB Steel body, PTFE Seat & Seal, Optional Cracking Pressure)

Size		Standard Part #	Cracking Pressure				
inch	mm		2 psi	5 psi	10 psi	15 psi	20 psi
1/4	8	YV250120100	YV250120107-2	YV250120107-5	YV250120107-10	YV250120107-15	YV250120107-20
3/8	10	YV375120100	YV375120107-2	YV375120107-5	YV375120107-10	YV375120107-15	YV375120107-20
1/2	15	YV500120100	YV500120107-2	YV500120107-5	YV500120107-10	YV500120107-15	YV500120107-20
3/4	20	YV750120100	YV750120107-2	YV750120107-5	YV750120107-10	YV750120107-15	YV750120107-20
1	25	YV001120100	YV001120107-2	YV001120107-5	YV001120107-10	YV001120107-15	YV001120107-20
1-1/4	32	YV125120100	YV125120107-2	YV125120107-5	YV125120107-10	YV125120107-15	YV125120107-20
1-1/2	40	YV015120100	YV015120107-2	YV015120107-5	YV015120107-10	YV015120107-15	YV015120107-20
2	50	YV002120100	YV002120107-2	YV002120107-5	YV002120107-10	YV002120107-15	YV002120107-20

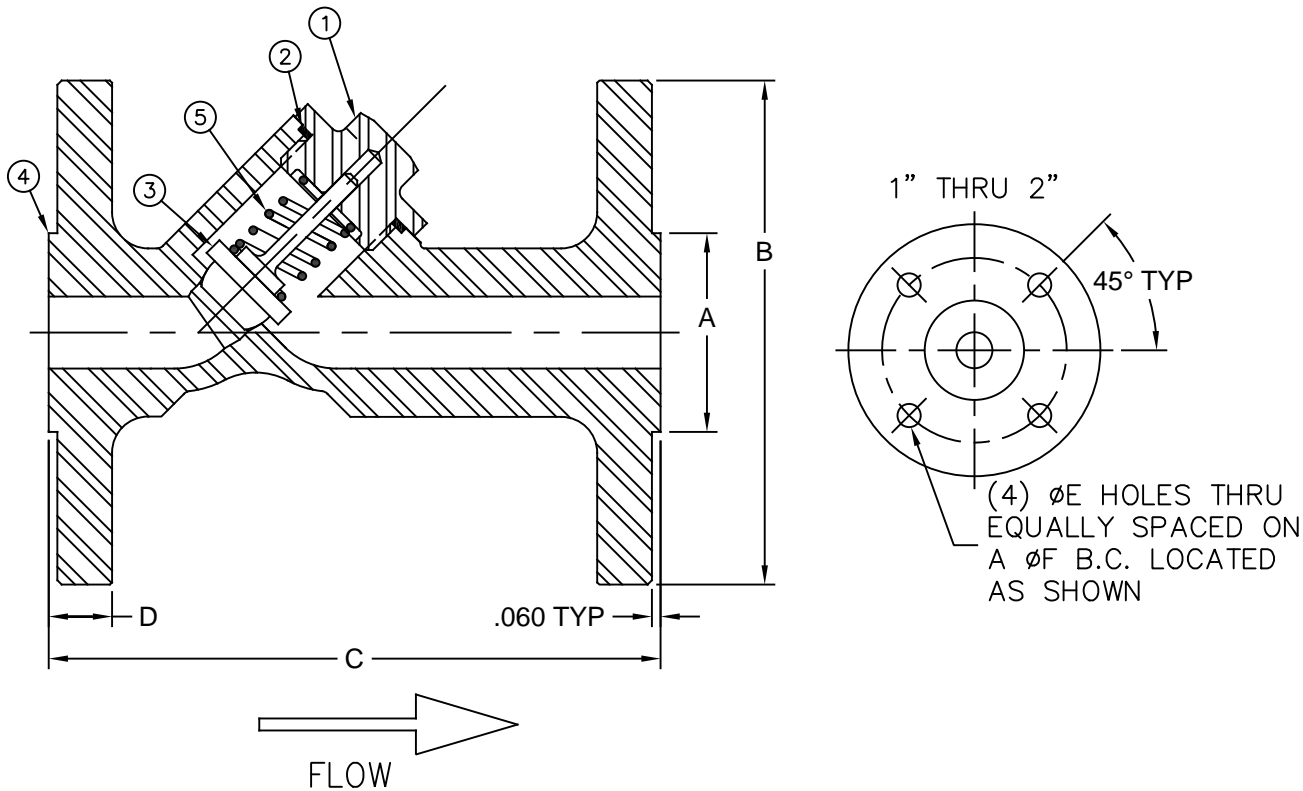
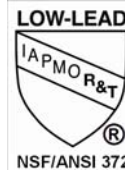
Flomatic Corporation can accept no responsibility for possible errors in catalogues, brochures and other printed material. Flomatic Corporation reserves the right to alter its products without notices. This also applies to product already agreed. All trademarks in this material are property of the respective companies. All rights reserved. ©2020 Flomatic Corporation. The drawings & information on this drawing sheet are the sole & exclusive property of Flomatic Corporation. Any reproduction, distribution, display or use of these drawings or information in whole or in part without written authorization of Flomatic Corporation is strictly prohibited. www.flomatic.com

Stainless Steel Check Valve

Sizes 1" thru 2" / 25mm thru 50mm

Model 816FL **FLOMATIC**[®]

Flomatic Corporation



Max Temp 450°F (230°C)
Max Pressure 600psi (43bar)

Item #	Qty	Description	Material	ASTM
1	1	Cap	Stainless Steel	316
2	1	Gasket	PTFE	-----
3	1	Plunger Assembly	Stainless Steel/PTFE	316
4	1	Body	Stainless Steel	316
5	1	Spring	Stainless Steel	316

Dimensions (150# ANSI B16.5 Flanges)

Size		Part #	A		B		C		D		E		F (REF)		Weight	
inch	mm		inch	mm	inch	mm	inch	mm	inch	mm	inch	mm	inch	mm	lbs	kg
1	25	YV001410100	2-1/8	54	4-1/4	108	5	127	7/16	11	5/8	16	3-1/8	79	5.4	2.4
1-1/4	32	YV125410100	2-1/2	64	4-5/8	117	5-1/2	140	1/2	13	5/8	16	3-1/2	89	7.6	3.4
1-1/2	40	YV015410100	2-7/8	73	5	127	6-1/2	165	9/16	14	5/8	16	3-7/8	98	10	4.5
2	50	YV002410100	3-5/8	92	6	152	8	203	5/8	16	3/4	19	4-3/4	121	15.3	6.9

Flomatic Corporation can accept no responsibility for possible errors in catalogues, brochures and other printed material. Flomatic Corporation reserves the right to alter its products without notices. This also applies to product already agreed. All trademarks in this material are property of the respective companies. All rights reserved. ©2020 Flomatic Corporation. The drawings & information on this drawing sheet are the sole & exclusive property of Flomatic Corporation. Any reproduction, distribution, display or use of these drawings or information in whole or in part without written authorization of Flomatic Corporation is strictly prohibited. www.flomatic.com

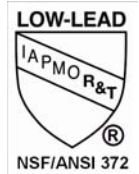
Stainless Steel Check Valve

Model 816FL



Flomatic Corporation

Sizes 1" thru 2" / 25mm thru 50mm
Cracking Pressures 2 thru 20 psi



Stainless Steel (150# ANSI B16.5, 316 SS body, PTFE Seat & Seal, Optional Cracking Pressure)

Size		Standard Part #	Cracking Pressure				
inch	mm		2 psi	5 psi	10 psi	15 psi	20 psi
1	25	YV001410100	YV001410107-2	YV001410107-5	YV001410107-10	YV001410107-15	YV001410107-20
1-1/4	32	YV125410100	YV125410107-2	YV125410107-5	YV125410107-10	YV125410107-15	YV125410107-20
1-1/2	40	YV015410100	YV015410107-2	YV015410107-5	YV015410107-10	YV015410107-15	YV015410107-20
2	50	YV002410100	YV002410107-2	YV002410107-5	YV002410107-10	YV002410107-15	YV002410107-20

Carbon Steel (150# ANSI B16.5, WCB Steel body, PTFE Seat & Seal, Optional Cracking Pressure)

Size		Standard Part #	Cracking Pressure				
inch	mm		2 psi	5 psi	10 psi	15 psi	20 psi
1	25	YV001420100	YV001420107-2	YV001420107-5	YV001420107-10	YV001420107-15	YV001420107-20
1-1/4	32	YV125420100	YV125420107-2	YV125420107-5	YV125420107-10	YV125420107-15	YV125420107-20
1-1/2	40	YV015420100	YV015420107-2	YV015420107-5	YV015420107-10	YV015420107-15	YV015420107-20
2	50	YV002420100	YV002420107-2	YV002420107-5	YV002420107-10	YV002420107-15	YV002420107-20

Flomatic Corporation can accept no responsibility for possible errors in catalogues, brochures and other printed material. Flomatic Corporation reserves the right to alter its products without notices. This also applies to product already agreed. All trademarks in this material are property of the respective companies. All rights reserved. ©2020 Flomatic Corporation. The drawings & information on this drawing sheet are the sole & exclusive property of Flomatic Corporation. Any reproduction, distribution, display or use of these drawings or information in whole or in part without written authorization of Flomatic Corporation is strictly prohibited. www.flomatic.com

