

Ductile Iron Check Valve

Model 80MDI-VFD



Flomatic Corporation

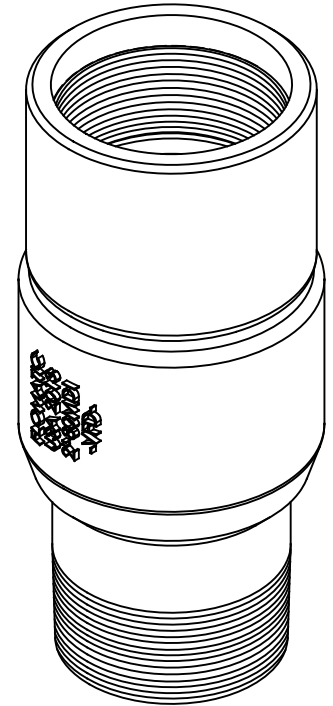
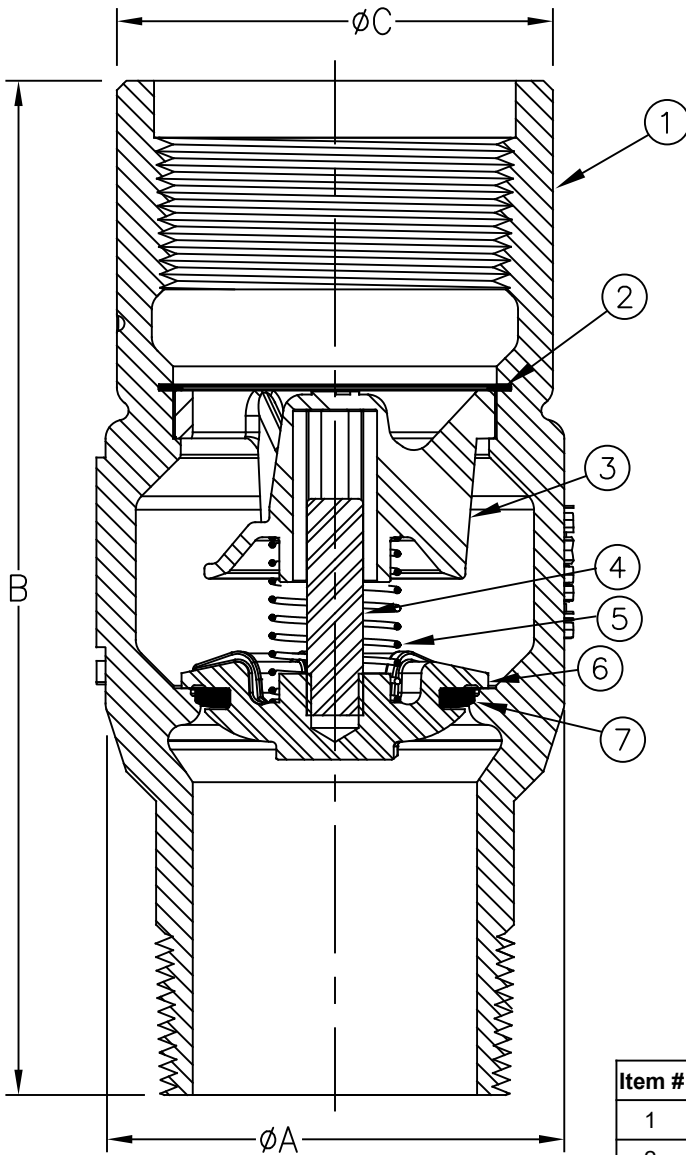
LEAD FREE
NSF/ANSI 61



Sizes 2" / 50mm

FOR VERTICAL INSTALLATION ONLY

Materials



Max Temp 180°F (82°C)
Max Pressure 600psi (42bar)

Item #	Qty	Description	Material	ASTM
1	1	Body	Ductile Iron	65-45-12
2	1	Retaining Ring	Stainless Steel	302
3	1	Stem Guide	Noryl	GFN2-780S
4	1	Stem	Stainless Steel	316
5	1	Spring	Stainless Steel	316
6	1	Poppet	Stainless Steel	316
7	1	Seat Disc	Buna-N	N-5007

Dimensions (MNPT X FNPT)

ANSI B1.20.1

Size		Part #	A		B		C		Weight	
inch	mm		inch	mm	inch	mm	inch	mm	lbs	kg
2	50	4084VFD	3	76	6-11/16	170	2-7/8	73	4	1.8

Flomatic Corporation can accept no responsibility for possible errors in catalogues, brochures and other printed material. Flomatic Corporation reserves the right to alter its products without notices. This also applies to product already agreed. All trademarks in this material are property of the respective companies. All right reserved. ©2022 Flomatic Corporation. The drawings & information on this drawing sheet are the sole & exclusive property of Flomatic Corporation. Any reproduction, distribution, display or use of these drawings or information in whole or in part without written authorization of Flomatic Corporation is strictly prohibited. www.flomatic.com



May 4, 2016
Dwg No: S4084VFD Rev: B (1/22)

FLOMATIC CORPORATION
GLENS FALLS, N.Y. 12801
PHONE (518) 761-9797
FAX (518) 761-9798