

# Ductile Iron Check Valve

# Model 80DIMCLVFD



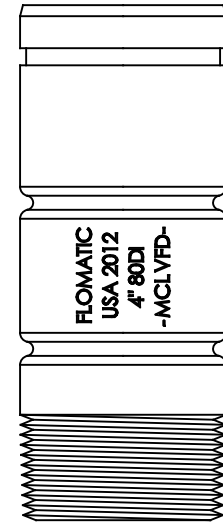
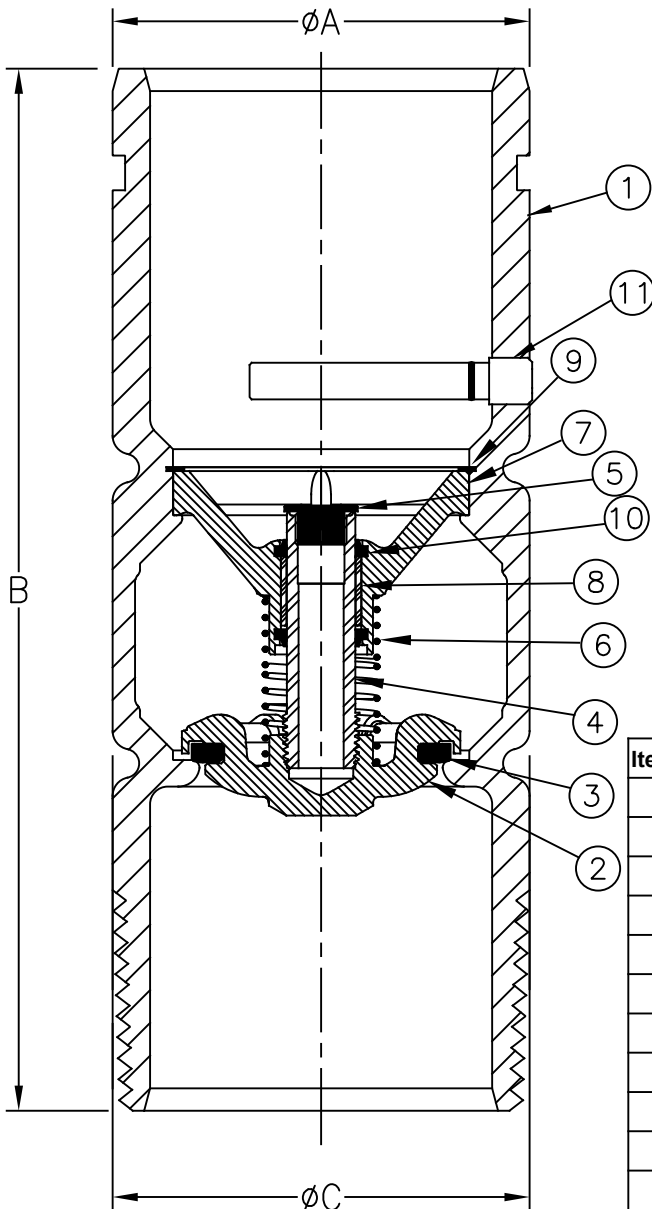
Flomatic Corporation

Sizes 3" Thru 8" / 75mm Thru 200mm

LEAD FREE  
NSF/ANSI 61



## Materials



Max Temp 180°F (82°C)  
Max Pressure 400psi (28bar)

Item #	Qty	Description	Material	ASTM
1	1	Body (Epoxy Coated)	Ductile Iron	A536 65-45-12
2	1	Poppet (Epoxy Coated)*	Ductile Iron	A536 65-45-12
3	1	Seat Disc	Buna-N	N-5007
4	1	Stem*	Stainless Steel	316
5	1	Stem Cap	Engineered Composite	Polyethylene
6	1	Spring*	Stainless Steel	316
7	1	Stem Guide (Epoxy Coated)*	Ductile Iron	A536 65-45-12
8	1	Bushing	Engineered Composite	-----
9	1	Retaining Ring	Stainless Steel	302
10	2	Wiper	Engineered Composite	Molythane
11	1	Optional Break-Off Plug	Stainless Steel or Nylon (NSF Approved)	304 or Ultramin

3" uses 316 SS Poppet  
4" uses 304 SS Stem  
6" & 8" use 302 SS Spring  
Patent # 9,032,992

## Dimensions (MNPT Inlet x Certa-Lok® Outlet)

ANSI B1.20.1

Size		Part #	A		B		C		Weight	
inch	mm		inch	mm	inch	mm	inch	mm	lbs	kg
3	75	7938MCLSVFD	3-1/2	89	9-37/64	243	4-1/8	105	10	5
4	100	7939MCLVFD	4-1/2	114	11-1/4	286	4-1/2	114	27	12
5	125	4088MCLVFD	5-3/4	146	12-3/4	324	5-9/16	141	32	15
6	150	4089MCLVFD	5-5/8	168	14-1/4	362	7-1/2	191	47	21
8	200	4090MCLVFD	8-5/8	219	19-1/2	495	9	229	90	41

Flomatic Corporation can accept no responsibility for possible errors in catalogues, brochures and other printed material. Flomatic Corporation reserves the right to alter its products without notices. This also applies to product already agreed. All trademarks in this material are property of the respective companies. All rights reserved. ©2022 Flomatic Corporation. The drawings & information on this drawing sheet are the sole & exclusive property of Flomatic Corporation. Any reproduction, distribution, display or use of these drawings or information in whole or in part without written authorization of Flomatic Corporation is strictly prohibited. [www.flomatic.com](http://www.flomatic.com)



April 2, 2013  
Dwg No: S7939DI-VFDMCL Rev: D (1/22)

FLOMATIC CORPORATION  
GLENS FALLS, N.Y. 12801  
PHONE (518) 761-9797  
FAX (518) 761-9798