

# Ductile Iron Check Valve

# Model 80DIX

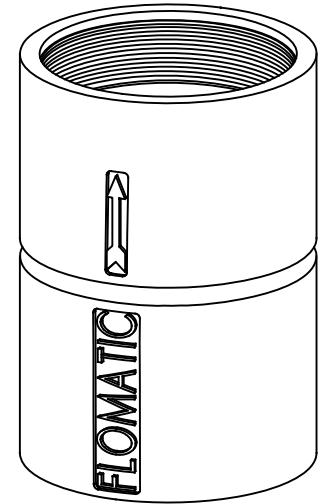
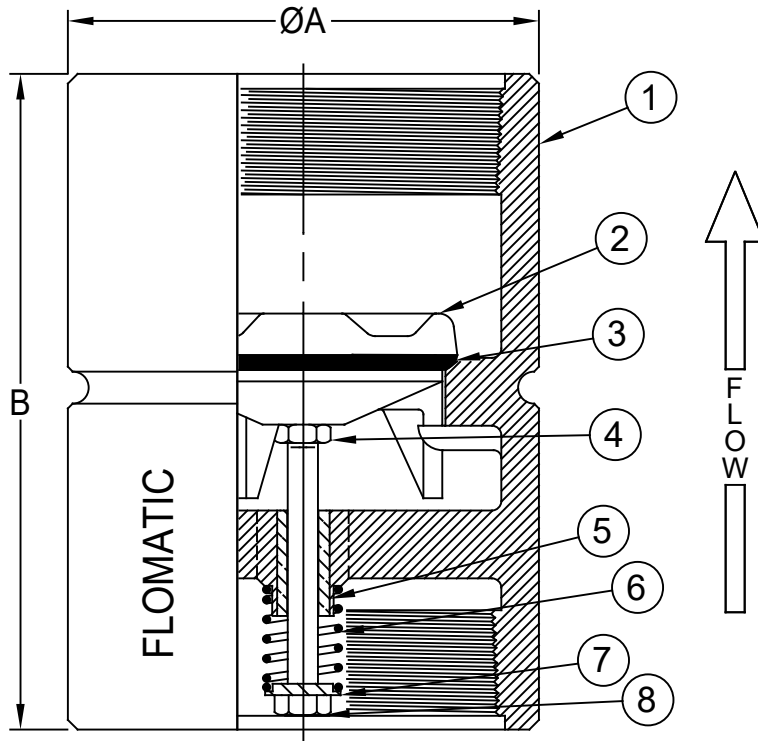


Flomatic Corporation

Sizes 3" thru 6" / 80 mm thru 150 mm

**DOUBLE GUIDED POPPET SUITABLE FOR VERTICAL & HORIZONTAL INSTALLATIONS**

## Materials



Max Temp 180°F (82°C)  
Max Pressure 400psi (28bar)

Item #	Qty	Description	Material	ASTM	Item #	Qty	Description	Material	ASTM
1	1	Body (Epoxy Coated)	Ductile Iron	A536	5	1	Bushing	Bronze	C31400
2	1	Poppet (Epoxy Coated)	Ductile Iron	A536	6	1	Spring	Stainless Steel	302
3	1	Disc	Buna-N	-----	7	1	Spring Retainer**	Bronze	C31400
4	1	Nut*	Stainless Steel	18-8	8	1	Bolt	Stainless Steel	18-8

\*3" HAS NO NUT

\*\*6" use Bronze C93200

## Dimensions (FNPT X FNPT)

ANSI B1.20.1

Size		Part #	ØA		B		Weight	
inch	mm		inch	mm	inch	mm	lbs	kg
3*	80	7938DIX	4-15/32	114	8	203	12	5.5
4	100	7939DIX	5-11/32	136	9-55/64	250	20.5	9
6	150	4089DIX	7-3/4	197	11-5/64	281	44	20

Flomatic Corporation can accept no responsibility for possible errors in catalogues, brochures and other printed material. Flomatic Corporation reserves the right to alter its products without notices. This also applies to product already agreed. All trademarks in this material are property of the respective companies. All rights reserved. ©2022 Flomatic Corporation. The drawings & information on this drawing sheet are the sole & exclusive property of Flomatic Corporation. Any reproduction, distribution, display or use of these drawings or information in whole or in part without written authorization of Flomatic Corporation is strictly prohibited. [www.flomatic.com](http://www.flomatic.com)



January 25, 2005  
Dwg No: S80dix Rev: G (1/22)

FLOMATIC CORPORATION  
GLENS FALLS, N.Y. 12801  
PHONE (518) 761-9797  
FAX (518) 761-9798

# Ductile Iron Check Valve

# Model 80DIX

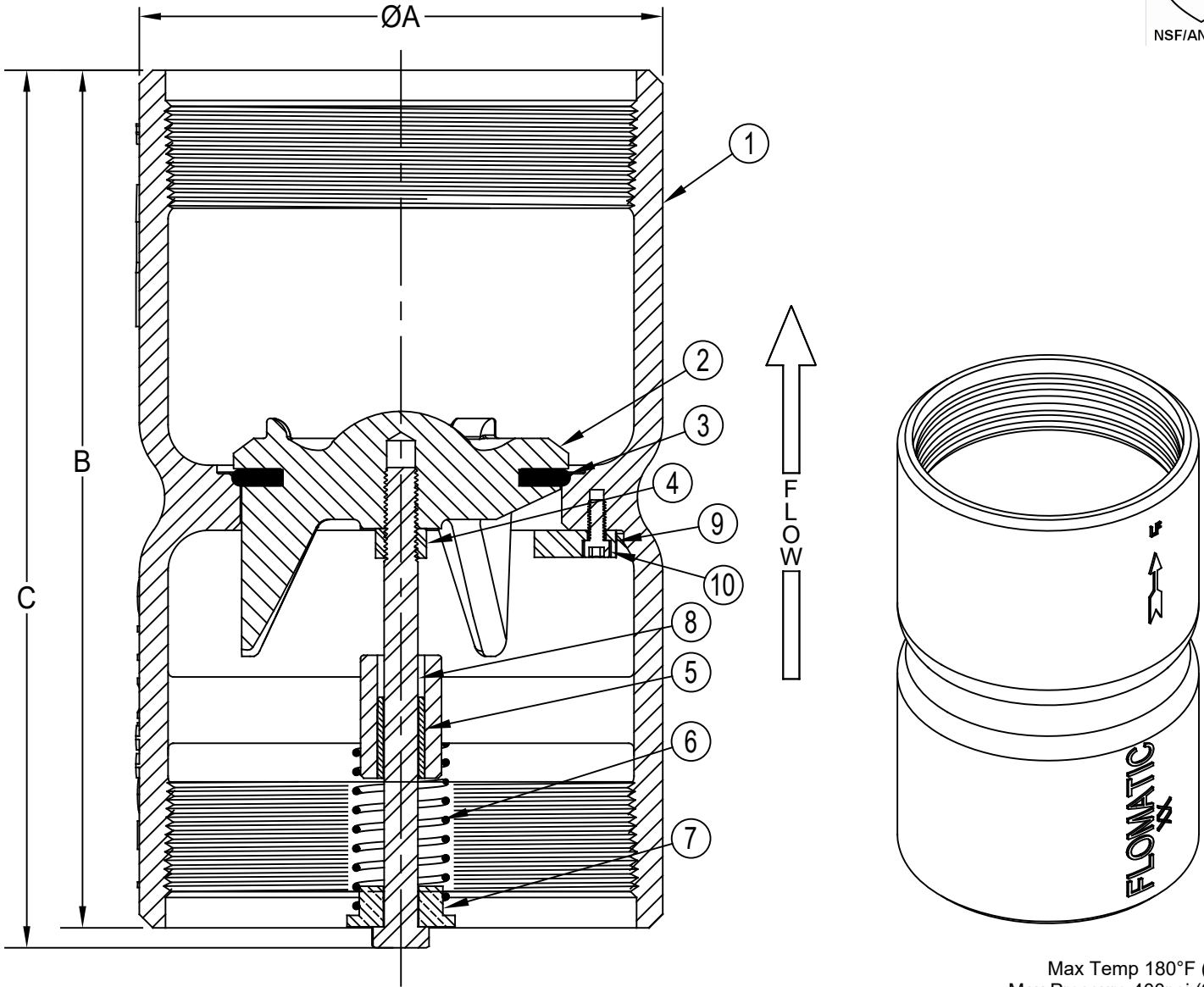


Size 8" / 200 mm

Flomatic Corporation

**DOUBLE GUIDED POPPET SUITABLE FOR VERTICAL & HORIZONTAL INSTALLATIONS**

## Materials



Max Temp 180°F (82°C)  
Max Pressure 400psi (28bar)

Item #	Qty	Description	Material	ASTM	Item #	Qty	Description	Material	ASTM
1	1	Body (Epoxy Coated)	Ductile Iron	A536	6	1	Spring	Stainless Steel	302
2	1	Poppet (Epoxy Coated)	Ductile Iron	A536	7	1	Spring Retainer**	Bronze	C93200
3	1	Disc	Buna-N	N-4039	8	1	Bolt	Stainless Steel	18-8
4	1	Nut	Stainless Steel	18-8	9	1	Anti- Sprin Lug	Stainless Steel	316
5	1	Bushing	Bronze	C31400	10	2	SHCS	Stainless Steel	18-8

## Dimensions (FNPT X FNPT)

ANSI B1.20.1

Size		Part #	A		B		C		Weight	
inch	mm		inch	mm	inch	mm	inch	mm	lbs	kg
8	200	4090DIX	9-11/16	246	15-7/8	403	16-1/4	413	84	38

Flomatic Corporation can accept no responsibility for possible errors in catalogues, brochures and other printed material. Flomatic Corporation reserves the right to alter its products without notices. This also applies to product already agreed. All trademarks in this material are property of the respective companies. All rights reserved. ©2022 Flomatic Corporation. The drawings & information on this drawing sheet are the sole & exclusive property of Flomatic Corporation. Any reproduction, distribution, display or use of these drawings or information in whole or in part without written authorization of Flomatic Corporation is strictly prohibited. [www.flomatic.com](http://www.flomatic.com)



January 21, 2022  
Dwg No: S80DIX Rev: 0

FLOMATIC CORPORATION  
GLENS FALLS, N.Y. 12801  
PHONE (518) 761-9797  
FAX (518) 761-9798