

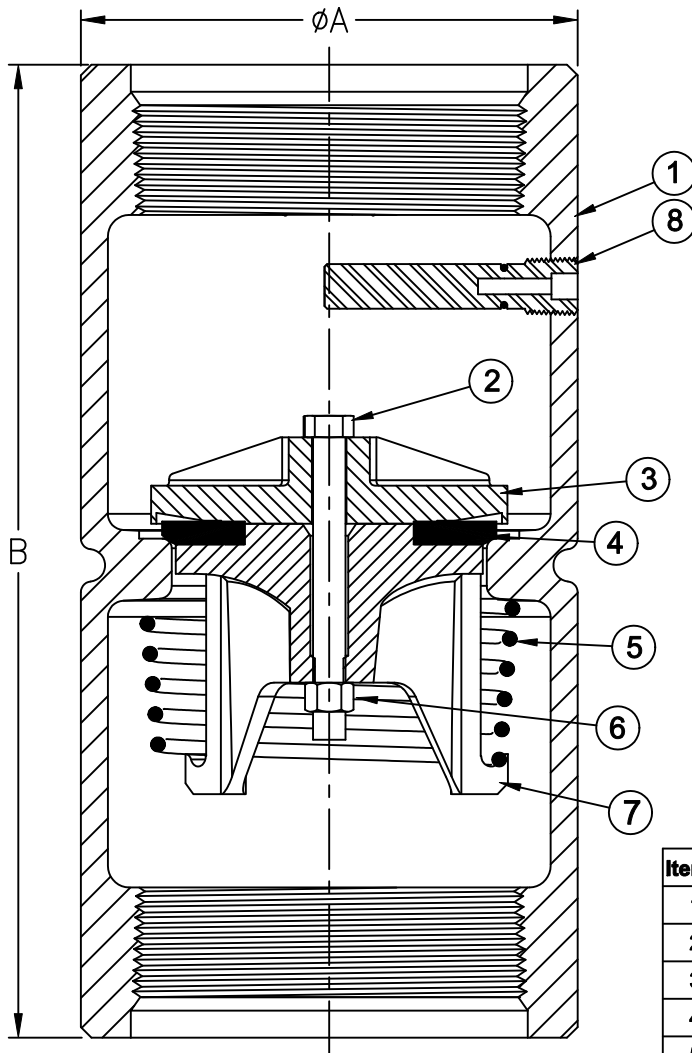
# Ductile Iron Check Valve

Model 80LDI **FLOMATIC®**

Sizes 3" & 4" / 80mm & 100mm  
with Optional Break-Off Plug

Flomatic Corporation

## Materials



Item #	Qty	Description	Material	ASTM
1	1	Body (Epoxy Coated)	Ductile Iron	65-45-12
2	1	Bolt	Stainless Steel	18-8
3	1	Dome (Epoxy Coated)	Ductile Iron	65-45-12
4	1	Rubber Disk	Buna-n	-----
5	1	Spring	Stainless Steel	302
6	1	Nut	Stainless Steel	18-8
7	1	Guide (Epoxy Coated)	Ductile Iron	65-45-12
8	1	Optional Break-Off Plug	Stainless Steel Engineered Plastic	302 Nylon

## Dimensions (FNPT x FNPT)

Max Temp 180°F (82°C)  
Max Pressure 600psi (42bar)

Size		Part #	A		B		Weight	
Inch	mm		Inch	mm	Inch	mm	lbs	kg
3	80	7938L	4-5/8	117	9-41/64	245	17	8
4	100	7939L	5-3/4	146	11-17/64	286	27	12
3	80	7938PLG	4-5/8	117	9-41/64	245	17	8
4	100	7939PLG	5-3/4	146	11-17/64	286	27	12
3	80	7938PPLG	4-5/8	117	9-41/64	245	17	8
4	100	7939PPLG	5-3/4	146	11-17/64	286	27	12

Flomatic Valves can accept no responsibility for possible errors in catalogues, brochures and other printed material. Flomatic Valves reserves the right to alter its products without notices. This also applies to product already agreed. All trademarks in this material are property of the respective companies. All right reserved. ©2016 Flomatic Valves. The drawings & information on this drawing sheet are the sole & exclusive property of Flomatic Valves. Any reproduction, distribution, display or use of these drawings or information in whole or in part without written authorization of Flomatic Valves is strictly prohibited.