

Ductile Iron Check Valve

Model 80DI



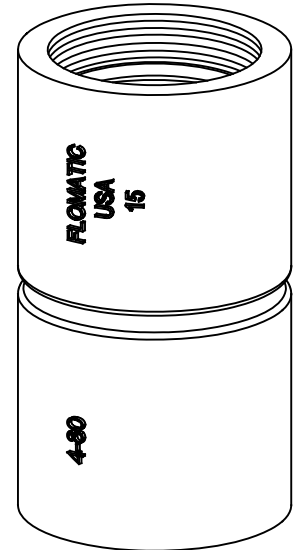
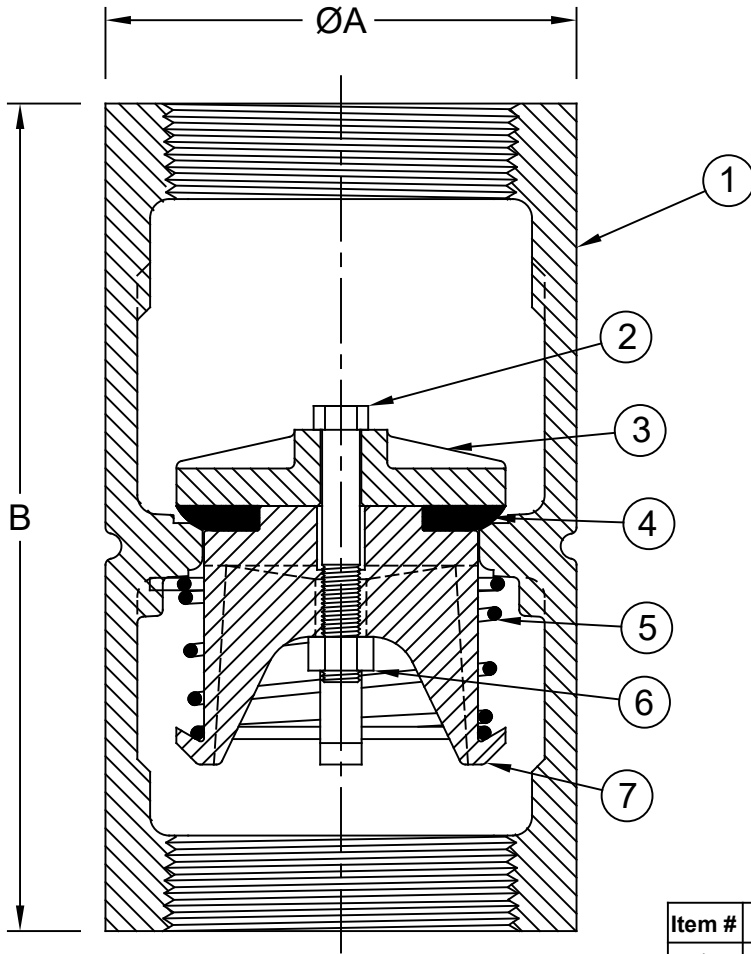
Flomatic Corporation

Sizes 3" thru 8" / 80 mm thru 200 mm

LEAD FREE
NSF/ANSI 61



Materials



Max Temp 180°F (82°C)
Max Pressure 600psi (42bar)

Item #	Qty	Description	Material	ASTM
1	1	Body (Epoxy Coated)	Ductile Iron	65-45-12
2	1	Bolt*	Stainless Steel	18-8
3	1	Dome (Epoxy Coated)	Ductile Iron	65-45-12
4	1	Disc**	Buna-N	N-5007
5	1	Spring	Stainless Steel	302
6	1	Nut*	Stainless Steel	18-8
7	1	Guide (Epoxy Coated)	Ductile Iron	65-45-12

*4" - Bolt & Nut is 304SS
*5" - Bolt is 316SS is 18-8SS
**8" - Disc is N-7039

Dimensions (FNPT x FNPT)

ANSI B1.20.1

Size		Part #	ØA		B		Weight	
inch	mm		inch	mm	inch	mm	lbs	kg
3*	80	7938	4-5/8	117	8-1/8	206	14	6
4*	100	7939	5-3/4	146	10-11/64	258	23	11
5	125	4088	6-3/4	171	13-5/8	346	43	20
6	150	4089	8	203	15-3/32	383	67	30
8	200	4090	9-5/8	244	15-7/8	403	92	42

*Optional Break-Off Plug is only available on the LDI model - see S80LDI spec sheet for dimensions

Flomatic Corporation can accept no responsibility for possible errors in catalogues, brochures and other printed material. Flomatic Corporation reserves the right to alter its products without notices. This also applies to product already agreed. All trademarks in this material are property of the respective companies. All rights reserved. ©2021 Flomatic Corporation. The drawings & information on this drawing sheet are the sole & exclusive property of Flomatic Corporation. Any reproduction, distribution, display or use of these drawings or information in whole or in part without written authorization of Flomatic Corporation is strictly prohibited. www.flomatic.com



January 25, 2005
Dwg No: S80DI3-8 Rev: G (2/21)

FLOMATIC CORPORATION
GLENS FALLS, N.Y. 12801
PHONE (518) 761-9797
FAX (518) 761-9798