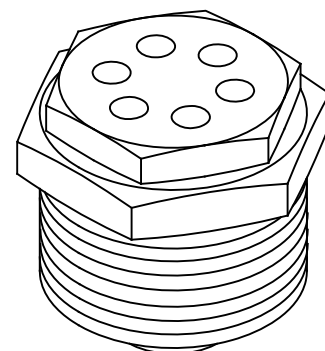
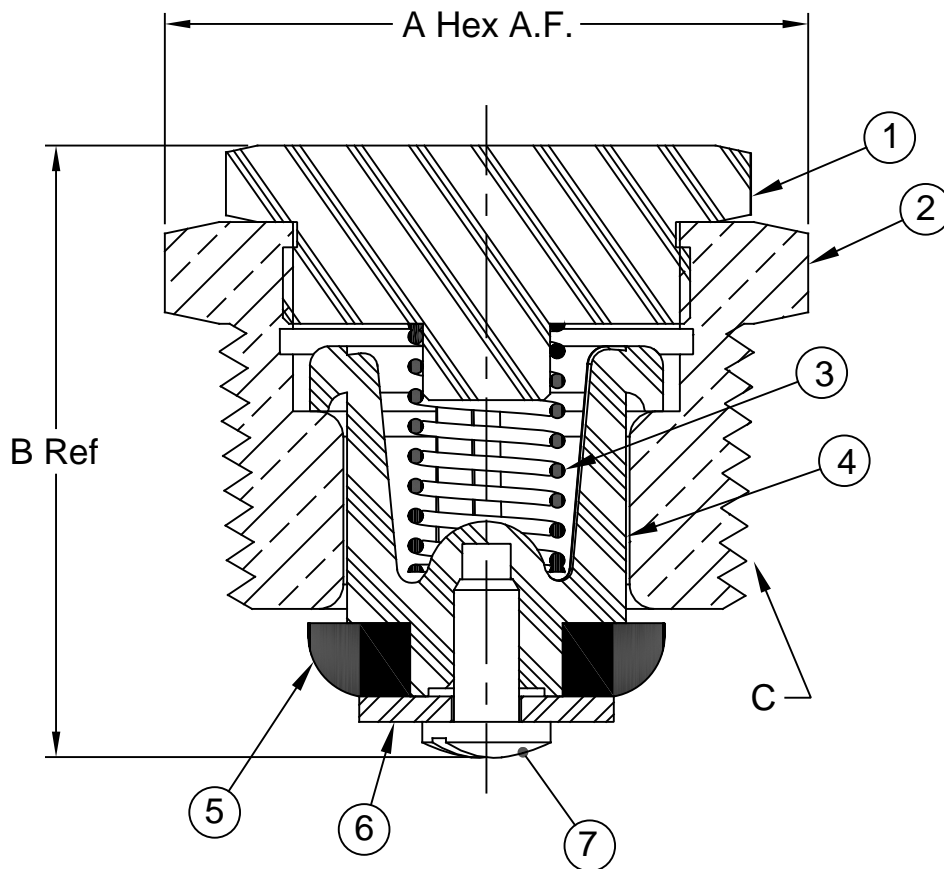
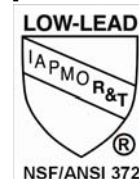


Sizes 1" / 25 mm
5 psi Opening Pressure

Flomatic Corporation

Materials



Description	Material	ASTM
4501PX Body	PVC (grey)	-----
4501SSX Body	Stainless Steel	304

Item #	Qty	Description	Material	ASTM
1	1	Retaining Cover	PVC (grey)	-----
2	1	Body	See Chart	-----
3	1	Spring	Stainless Steel	302
4	1	Guide	Delrin	-----
5	1	Disc	Buna-n	-----
6	1	Washer	Stainless Steel	18-8
7	1	Screw	Stainless Steel	18-8

Dimensions

Size		Part #	A		B		C	Weight	
inch	mm		inch	mm	inch	mm		NPT	lbs
1	25	4501PX	1-3/8	35	1-1/2	38	1	.1	.05
1	25	4501SSX	1-3/8	35	1-1/2	38	1	.3	.14

Flomatic Corporation can accept no responsibility for possible errors in catalogues, brochures and other printed material. Flomatic Corporation reserves the right to alter its products without notices. This also applies to product already agreed. All trademarks in this material are property of the respective companies. All right reserved. ©2017 Flomatic Corporation. The drawings & information on this drawing sheet are the sole & exclusive property of Flomatic Corporation. Any reproduction, distribution, display or use of these drawings or information in whole or in part without written authorization of Flomatic Corporation is strictly prohibited.