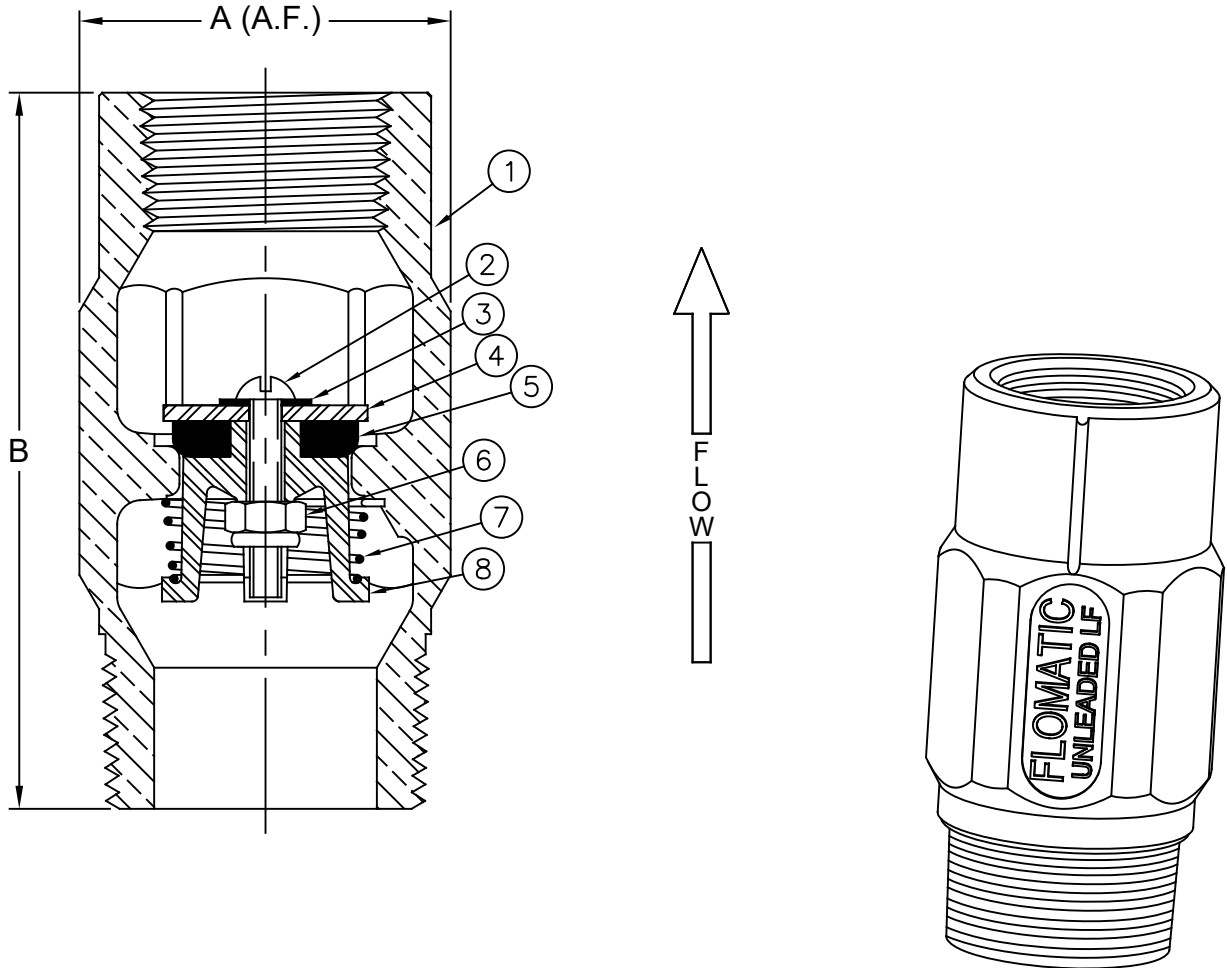




Materials



Temp Max: 180°F
Pressure Max: 400 psi

Item #	Qty	Description	Material	ASTM	Item #	Qty	Description	Material	ASTM
1	1	Body	Unleaded Bronze	C89833	5	1	Disc	Buna-n	N-5007
2	1	Screw	Stainless Steel	316	6	1	Nut	SS / Nylon	304
3	1	Washer	Nylon	-----	7	1	Spring	Stainless Steel	302
4	1	Washer	Stainless Steel	304	8	1	Guide	Stainless Steel	316

Dimensions (MNPT X FNPT)

Patent # 6,581,633

ANSI B1.20.1

Size		Part #	A		B		Weight	
inch	mm		inch	mm	inch	mm	lbs	kg
1	25	4221LES	1-29/32	48	3-7/8	98	1-3/16	.54

Fromatic Corporation can accept no responsibility for possible errors in catalogues, brochures and other printed material. Fromatic Corporation reserves the right to alter its products without notices. This also applies to product already agreed. All trademarks in this material are property of the respective companies. All rights reserved. ©2021 Fromatic Corporation. The drawings & information on this drawing sheet are the sole & exclusive property of Fromatic Corporation. Any reproduction, distribution, display or use of these drawings or information in whole or in part without written authorization of Fromatic Corporation is strictly prohibited. www.lomatic.com