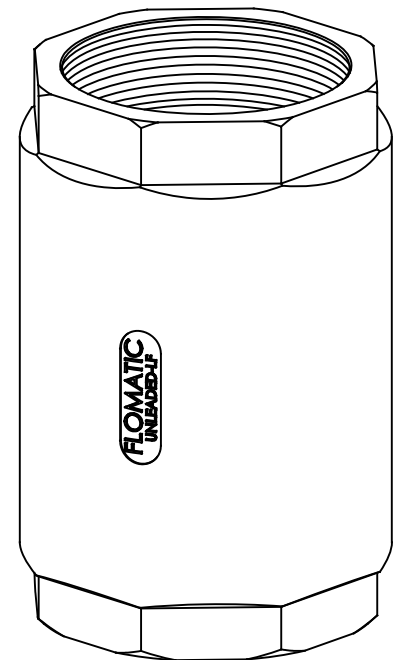
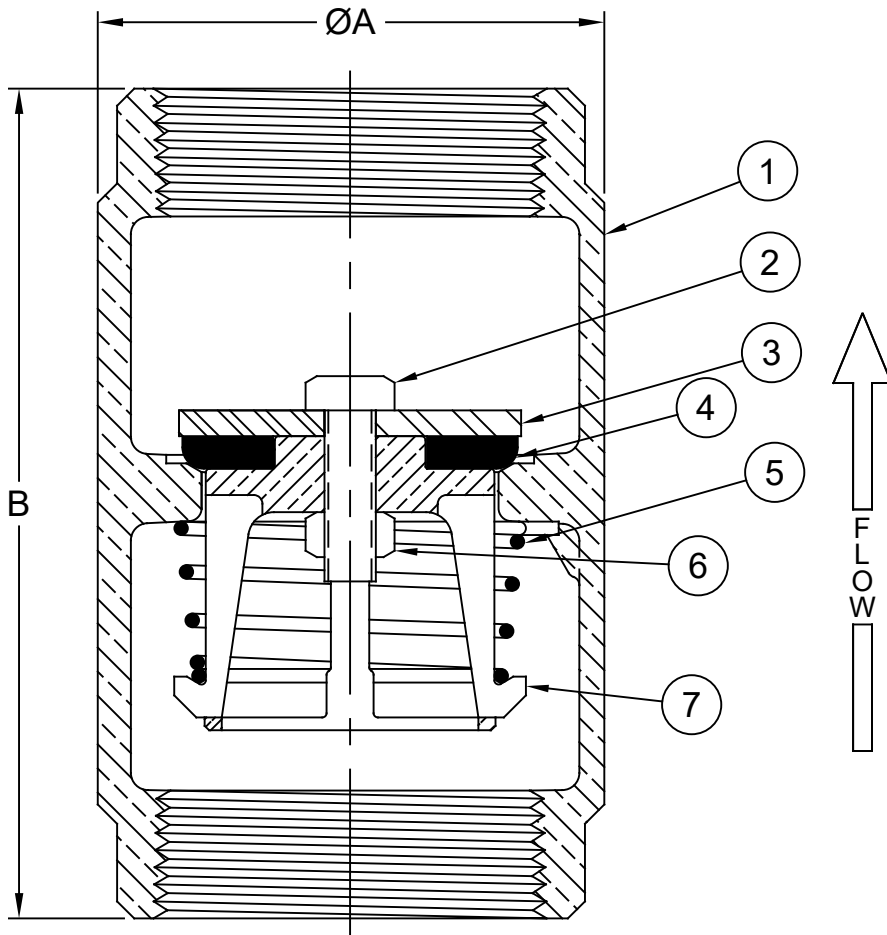




Materials



Temp Max: 400°F  
Pressure Max: 100 psi

Item #	Qty	Description	Material	ASTM	Item #	Qty	Description	Material	ASTM
1	1	Body	Unleaded Bronze	C89833	5	1	Spring	Stainless Steel	304
2	1	Bolt	Stainless Steel	304	6	1	Nut	Stainless Steel	302
3	1	Washer**	Stainless Steel	304	7	1	Guide*	Stainless Steel	316
4	1	Disc	Viton	-----					

\* 2-1/2" is Unleaded Bronze C89833  
\*\*3" is Unleaded 18-8SS

Dimensions (FNPT)

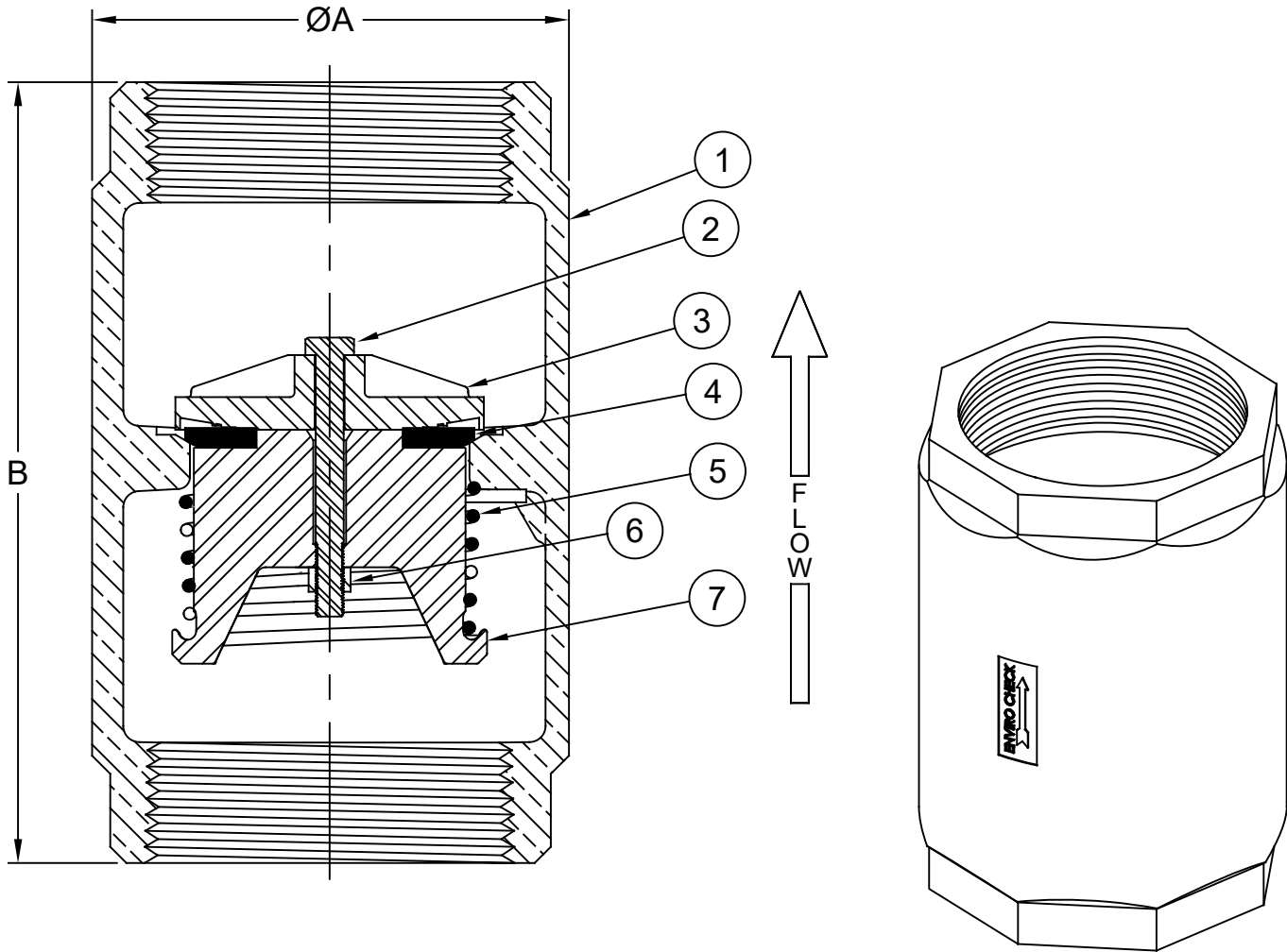
ANSI B1.20.1

Size		Part #	A		B		Weight	
inch	mm		inch	mm	inch	mm	lbs	kg
2-1/2	65	4035HTE	3-11/16	94	6-1/16	154	6-1/2	3
3	80	4036HTE	4-17/32	115	7	178	13	5.9

Flomatic Corporation can accept no responsibility for possible errors in catalogues, brochures and other printed material. Flomatic Corporation reserves the right to alter its products without notices. This also applies to product already agreed. All trademarks in this material are property of the respective companies. All rights reserved. ©2021 Flomatic Corporation. The drawings & information on this drawing sheet are the sole & exclusive property of Flomatic Corporation. Any reproduction, distribution, display or use of these drawings or information in whole or in part without written authorization of Flomatic Corporation is strictly prohibited. www.flomatic.com



**Materials**



Temp Max: 400°F  
Pressure Max: 100 psi

Item #	Qty	Description	Material	ASTM	Item #	Qty	Description	Material	ASTM
1	1	Body	Unleaded Bronze	C89833	5	1	Spring	Stainless Steel	316
2	1	Bolt	Stainless Steel	316	6	1	Nut	Stainless Steel	316
3	1	Dome	Stainless Steel	316	7	1	Guide	Stainless Steel	316
4	1	Disc	Viton	-----					

**Dimensions (FNPT)**

ANSI B1.20.1

Size		Part #	A		B		Weight	
inch	mm		inch	mm	inch	mm	lbs	kg
4	100	4037HTE	5-3/4	146	8-1/4	210	24-1/2	11

Flomatic Corporation can accept no responsibility for possible errors in catalogues, brochures and other printed material. Flomatic Corporation reserves the right to alter its products without notices. This also applies to product already agreed. All trademarks in this material are property of the respective companies. All rights reserved. ©2021 Flomatic Corporation. The drawings & information on this drawing sheet are the sole & exclusive property of Flomatic Corporation. Any reproduction, distribution, display or use of these drawings or information in whole or in part without written authorization of Flomatic Corporation is strictly prohibited. [www.flomatic.com](http://www.flomatic.com)