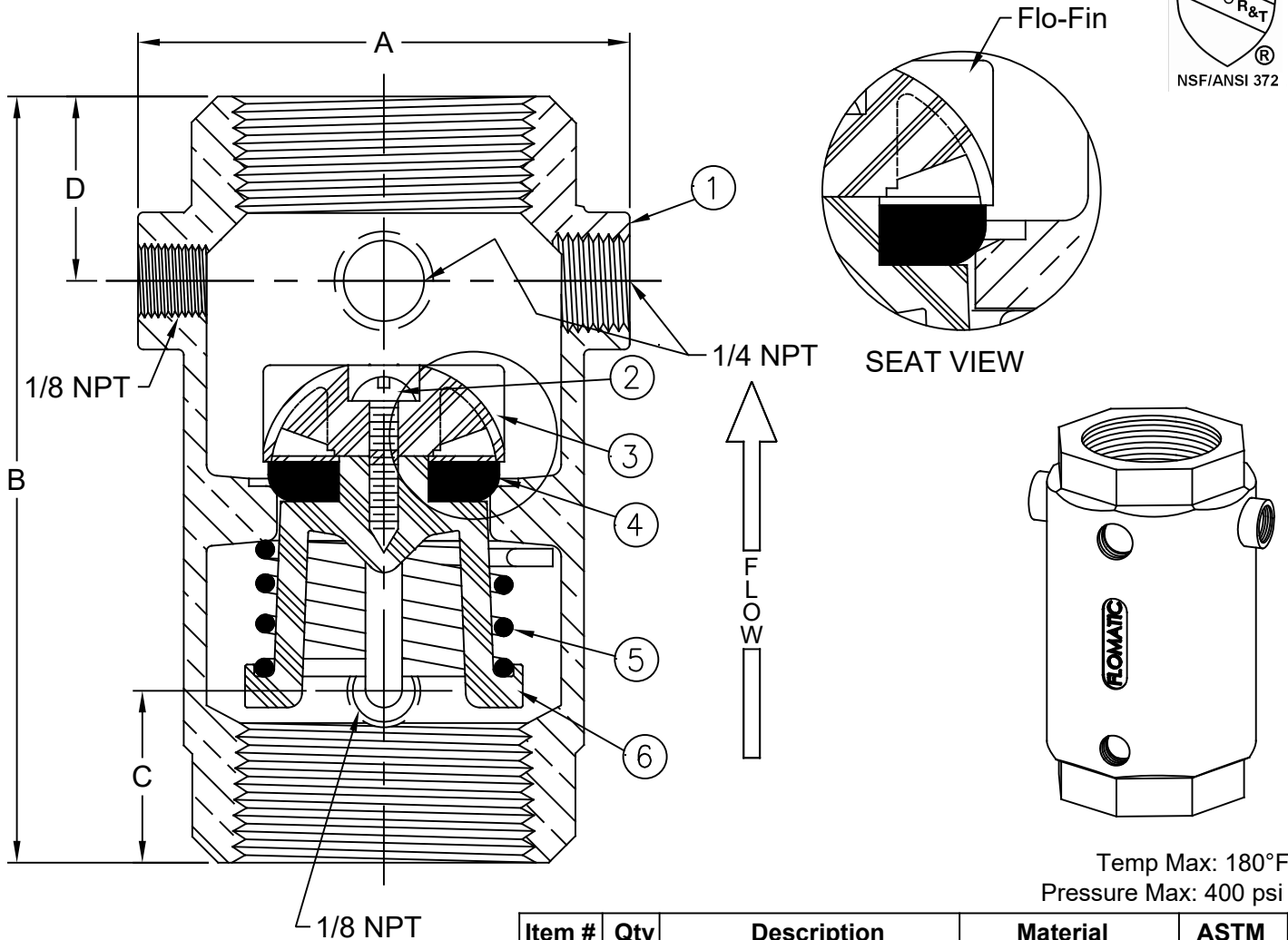
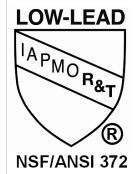


**Materials**



Temp Max: 180°F  
Pressure Max: 400 psi

| Item # | Qty | Description | Material        | ASTM   |
|--------|-----|-------------|-----------------|--------|
| 1      | 1   | Body        | Unleaded Bronze | C89833 |
| 2      | 1   | Screw       | Stainless Steel | 302    |
| 3      | 1   | Dome*       | Delrin®         | 500P   |
| 4      | 1   | Disc        | Buna-n          | N-5007 |
| 5      | 1   | Spring      | Stainless Steel | 302    |
| 6      | 1   | Guide*      | Delrin®         | M90    |

1/8" NPT PIPE PLUG INCLUDED

\* 1-1/2" uses Celcon® M90 & SS/Nylon nut

Patent # 4,971,093 & 6,581,633

**Dimensions (FNPT)**

ANSI B1.20.1

| Size  |    | Part # | A       |    | B      |     | C      |    | D     |    | Weight  |      |
|-------|----|--------|---------|----|--------|-----|--------|----|-------|----|---------|------|
| inch  | mm |        | inch    | mm | inch   | mm  | inch   | mm | inch  | mm | lbs     | kg   |
| 1     | 25 | 4061E  | 1-29/32 | 48 | 3-3/4  | 95  | 15/16  | 24 | 15/16 | 24 | 1-13/64 | .55  |
| 1-1/4 | 32 | 4062E  | 2-11/16 | 68 | 4-3/16 | 106 | 15/16  | 24 | 1     | 25 | 1-13/16 | .82  |
| 1-1/2 | 40 | 4063E  | 3       | 76 | 4-5/8  | 117 | 1-1/32 | 26 | 1-1/8 | 29 | 2-11/16 | 1.22 |

Flomatic Corporation can accept no responsibility for possible errors in catalogues, brochures and other printed material. Flomatic Corporation reserves the right to alter its products without notices. This also applies to product already agreed. All trademarks in this material are property of the respective companies. All rights reserved. ©2021 Flomatic Corporation. The drawings & information on this drawing sheet are the sole & exclusive property of Flomatic Corporation. Any reproduction, distribution, display or use of these drawings or information in whole or in part without written authorization of Flomatic Corporation is strictly prohibited. www.flomatic.com