

Submersible Pump Check Valve

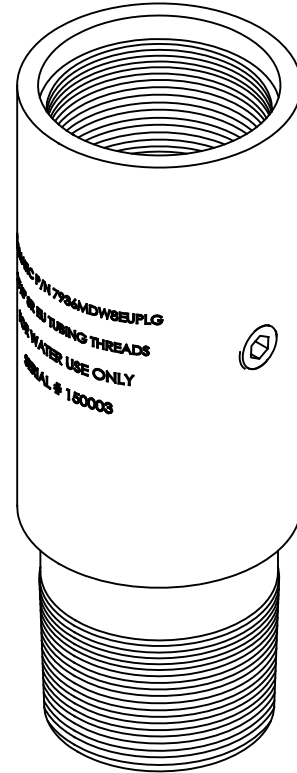
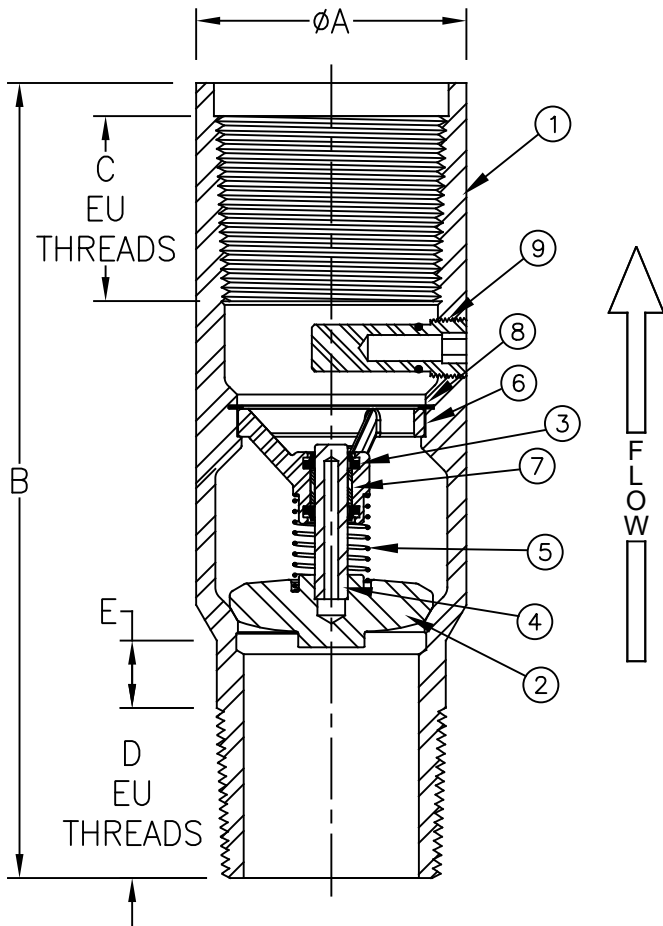
Model 80MDW-VFD **FLOMATIC®**

Sizes 2-7/8" / 73mm
8 Round External-Upset Tubing Threads

Flomatic Corporation



Materials



Max Temp 200°F (93°C)
Max Pressure 4400psi (303bar)

Item #	Qty	Description	Material	ASTM
1	1	Body (Epoxy Coated*)	Hot Rolled Steel	A519
2	1	Poppet	Hot Rolled Steel	A332
3	2	Wiper	Engineered Composite	-----
4	1	Stem	Stainless Steel	316
5	1	Spring	Stainless Steel	304
6	1	Stem Guide	Stainless Steel	316
7	1	Bushing	Engineered Composite	-----
8	1	Retaining Ring	Stainless Steel	302
9	1	3/8" Break-Off Plug	Stainless Steel	304

Epoxy Coating is NSF61 approved

Dimensions (MEU x FEU Tubing Threads)

API Spec 5B
External-upset

Thread Size		Part #	A		B		C		D		E		Weight	
inch	mm		inch	mm	inch	mm	inch	mm	inch	mm	inch	mm	lbs	kg
2-7/8	73	7936MDW8EUPLG	3-45/64	94	9-7/8	250	2-25/64	61	2-1/8	54	3/4	19	12.5	5.7

Flomatic Corporation can accept no responsibility for possible errors in catalogues, brochures and other printed material. Flomatic Corporation reserves the right to alter its products without notices. This also applies to product already agreed. All trademarks in this material are property of the respective companies. All rights reserved. ©2021 Flomatic Corporation. The drawings & information on this drawing sheet are the sole & exclusive property of Flomatic Corporation. Any reproduction, distribution, display or use of these drawings or information in whole or in part without written authorization of Flomatic Corporation is strictly prohibited. www.flomatic.com



March 10, 2015
Dwg No: S47936MDE8EUPLG Rev: B (12/21)

FLOMATIC CORPORATION
GLENS FALLS, N.Y. 12801
PHONE (518) 761-9797
FAX (518) 761-9798