

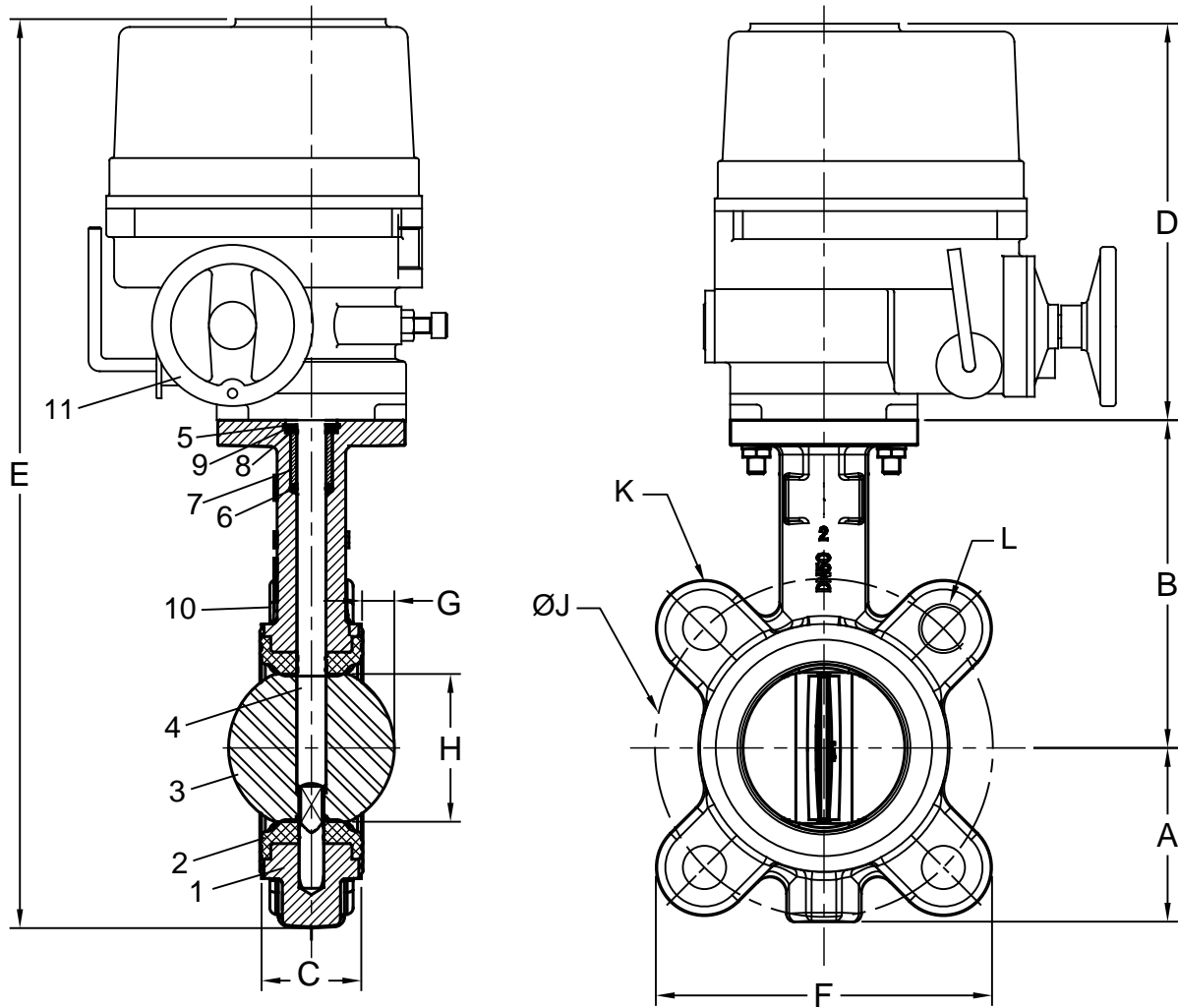
Butterfly Valve Lug with Actuator

Sizes 2" Thru 3" / 50 mm Thru 75 mm

Sylax® 3 **FLOMATIC®**

Flomatic Corporation

Materials (Lug with Actuator)



Max Temp 220°F (104°C)

Max Pressure 250psi (17bar)

Bi-Directional & Dead End Service Pressure Rating 250psi (17 bar)

Item #	Qty	Description	Material	Item #	Qty	Description	Material
1	1	Body	Ductile Iron A536 65-45-12	7	1	Bushing	Nylon 1010
2	1	Seat	EPDM	8	1	Circlip	Steel XC 75/Stainless Steel
3	1	Disc	Stainless Steel 316	9	1	Washer	Stainless Steel 304
4	1	Stem	Stainless Steel 420	10	1	Metal Tag	Aluminium
5	1	Circlip	Steel XC 75/Stainless Steel	11	1	Actuator*	Details on Spec Sheet SRCEL
6	1	O'Ring	NBR				

***Actuators are sized @ 145 psi ΔP and 50% safety factor**

Flomatic Corporation can accept no responsibility for possible errors in catalogues, brochures and other printed material. Flomatic Corporation reserves the right to alter its products without notices. This also applies to product already agreed. All trademarks in this material are property of the respective companies. All rights reserved. ©2020 Flomatic Corporation. The drawings & information on this drawing sheet are the sole & exclusive property of Flomatic Corporation. Any reproduction, distribution, display or use of these drawings or information in whole or in part without written authorization of Flomatic Corporation is strictly prohibited. www.flomatic.com

Butterfly Valves

Lug with Actuator

Sizes 2" Thru 3" / 50 mm Thru 75 mm

Dimensions (ASME B16.42 150# Flange / ISO 5211 Top Flange)

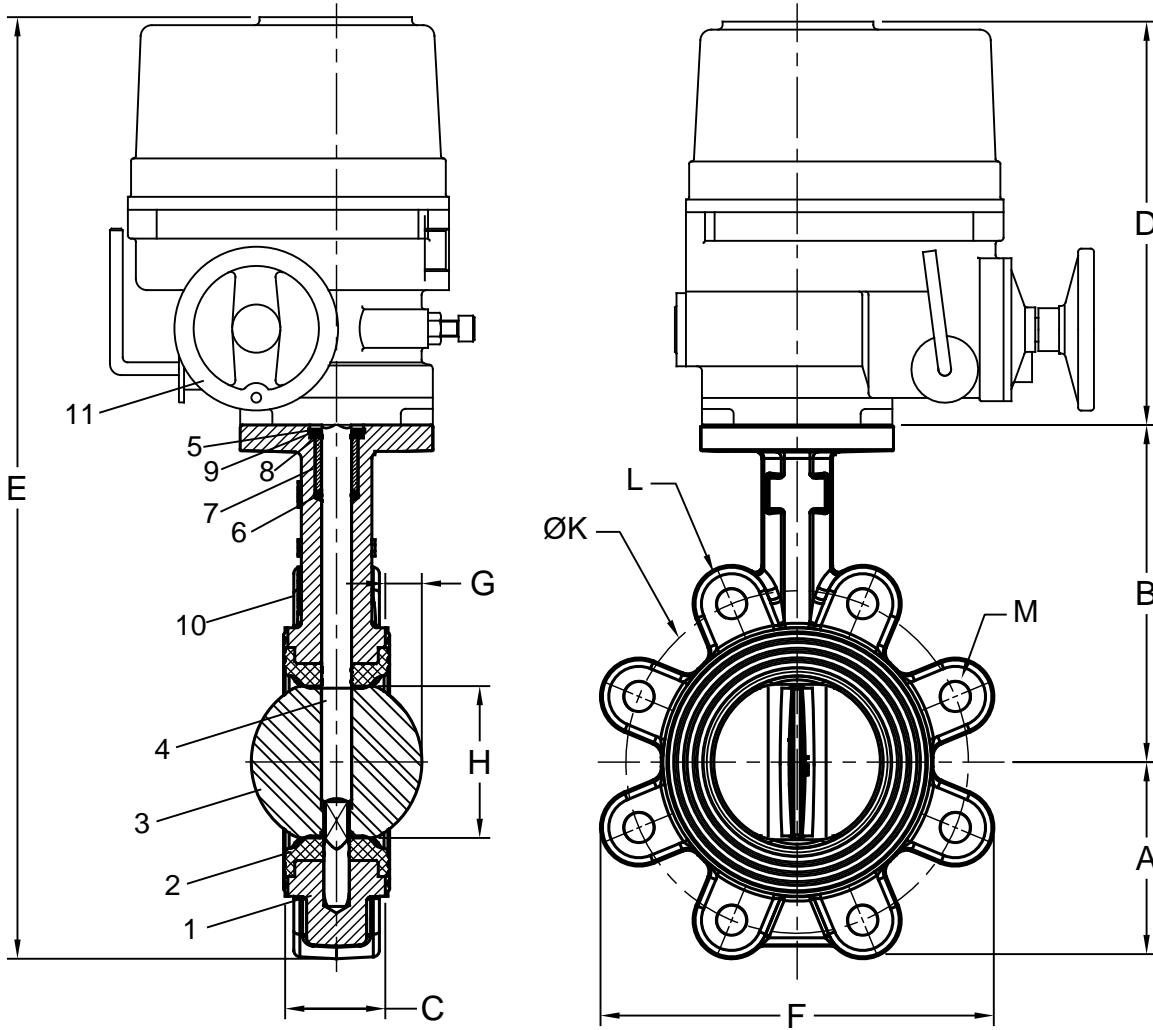
Size		Part #	A		B	
inch	mm		inch	mm	inch	mm
2	50	S3L04A	2.5	65	5.67	144
2-1/2	65	S3L05A	2.8	72	6.02	153
3	80	S3L06A	3.4	86	6.22	158

Size		C		D		E		F		G		H		ØJ		K	L	*Actuator #	Wgt Lug	
inch	mm	inch	mm	inch	mm	inch	mm	inch	mm	inch	mm	inch	mm	inch	mm	# of Holes	Thread		lbs	kg
2	50	1.69	43	10.75	273	18.80	273	4.93	125	.21	5	2.12	54	4.75	120.7	4	5/8-11	FCEL-9ALS	33	15
2-1/2	65	1.81	46	10.75	273	19.57	273	5.47	139	.38	10	2.57	65	5.50	139.7	4	5/8-11	FCEL-9ALS	35	16
3	80	1.81	46	10.75	273	20.37	273	5.63	143	.66	17	3.14	80	6.00	152.4	4	5/8-11	FCEL-9ALS	36	17

Flomatic Corporation can accept no responsibility for possible errors in catalogues, brochures and other printed material. Flomatic Corporation reserves the right to alter its products without notices. This also applies to product already agreed. All trademarks in this material are property of the respective companies. All rights reserved. ©2020 Flomatic Corporation. The drawings & information on this drawing sheet are the sole & exclusive property of Flomatic Corporation. Any reproduction, distribution, display or use of these drawings or information in whole or in part without written authorization of Flomatic Corporation is strictly prohibited. www.flomatic.com



Materials (Lug with Actuator)



Max Temp 220°F (104°C)
Max Pressure 250psi (17bar)

Bi-Directional & Dead End Service Pressure Rating 250psi (17 bar)

Item #	Qty	Description	Material	Item #	Qty	Description	Material
1	1	Body	Ductile Iron A536 65-45-12	7	1	Bushing	Nylon 1010
2	1	Seat	EPDM	8	1	Circlip	Steel XC 75/Stainless Steel
3	1	Disc	Stainless Steel 316	9	1	Washer	Stainless Steel 304
4	1	Stem	Stainless Steel 420	10	1	Metal Tag	Aluminium
5	1	Circlip	Steel XC 75/Stainless Steel	11	1	Actuator*	Details on Spec Sheet SRCEL
6	1	O'Ring	NBR				

***Actuators are sized @ 145 psi ΔP and 50% safety factor**

Flomatic Corporation can accept no responsibility for possible errors in catalogues, brochures and other printed material. Flomatic Corporation reserves the right to alter its products without notices. This also applies to product already agreed. All trademarks in this material are property of the respective companies. All rights reserved. ©2020 Flomatic Corporation. The drawings & information on this drawing sheet are the sole & exclusive property of Flomatic Corporation. Any reproduction, distribution, display or use of these drawings or information in whole or in part without written authorization of Flomatic Corporation is strictly prohibited. www.flomatic.com

Butterfly Valves

Lug with Actuator

Sizes 4" Thru 8" / 100 mm Thru 200 mm

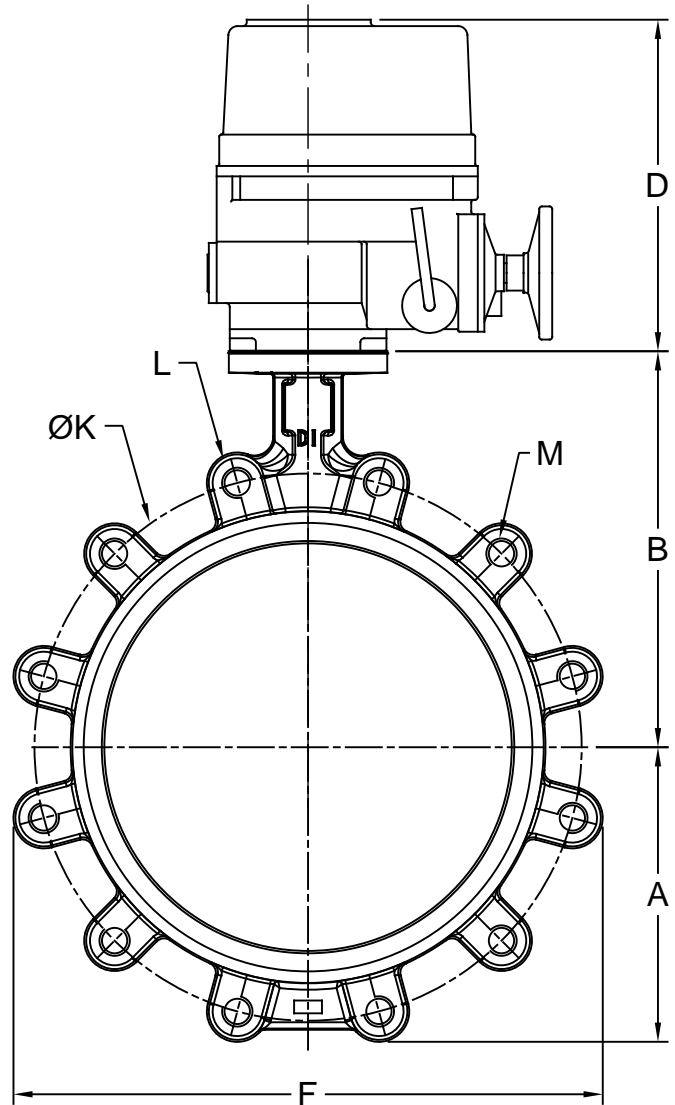
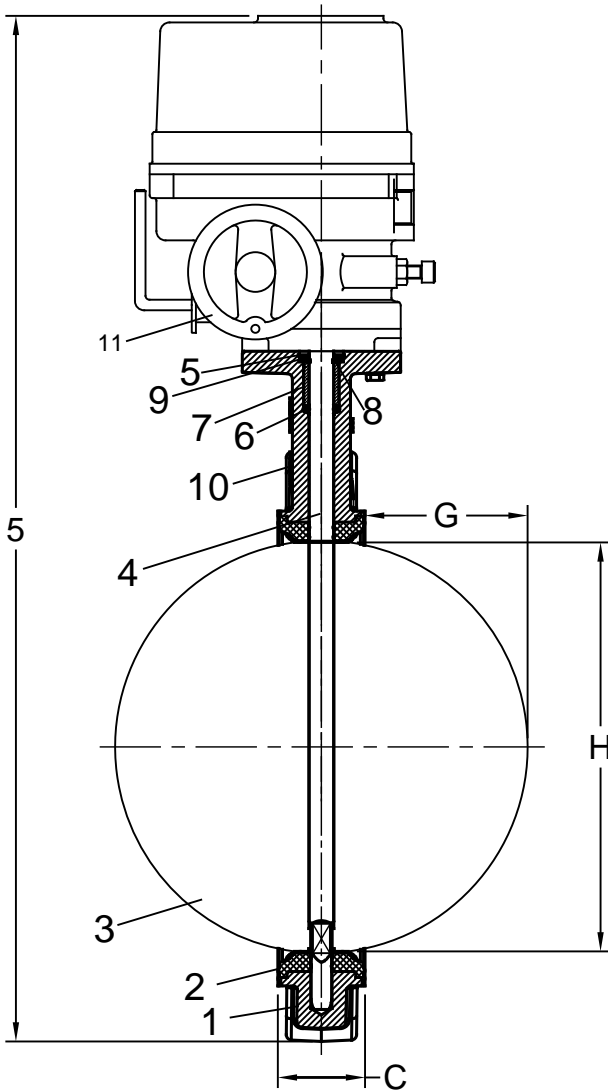
Dimensions (ASME B16.42 150# Flange / ISO 5211 Top Flange)

Size		Part #	A		B		C	
inch	mm		inch	mm	inch	mm	inch	mm
4	100	S3L07A	4.2	107	6.93	176	2.05	52
5	125	S3L08A	4.7	119	7.52	191	2.20	56
6	150	S3L09A	5.0	128	7.97	203	2.20	56
8	200	S3L10A	6.4	162	9.59	244	2.36	60

Size		D		E		F		G		H		J		ØK		L # of Holes	M Thread	*Actuator #	Wgt Lug	
inch	mm	inch	mm	inch	mm	inch	mm	inch	mm	inch	mm	inch	mm	inch	mm				lbs	kg
4	100	10.75	273	21.58	273	8.34	212	1.04	27	4.14	105	1.15	29	7.50	190.5	8	5/8-11	FCEL-9ALS	46	21
5	125	10.75	273	22.67	273	9.40	239	1.46	37	5.13	130	1.15	29	8.50	215.9	8	3/4-10	FCEL-9ALS	46	21
6	150	10.75	273	23.72	273	10.50	267	1.97	50	6.14	156	1.15	29	9.50	241.3	8	3/4-10	FCEL-15ALS	53	24
8	200	12.60	320	28.59	125	12.70	323	2.95	75	8.14	207	1.33	34	11.75	298.5	8	3/4-10	FCEL-28ALS	103	48

Flomatic Corporation can accept no responsibility for possible errors in catalogues, brochures and other printed material. Flomatic Corporation reserves the right to alter its products without notices. This also applies to product already agreed. All trademarks in this material are property of the respective companies. All rights reserved. ©2020 Flomatic Corporation. The drawings & information on this drawing sheet are the sole & exclusive property of Flomatic Corporation. Any reproduction, distribution, display or use of these drawings or information in whole or in part without written authorization of Flomatic Corporation is strictly prohibited. www.flomatic.com

Materials (Lug with Actuator)



Max Temp 220°F (104°C)
 Max Pressure 250psi (17bar)
 Bi-Directional & Dead End Service Pressure Rating 250psi (17 bar)

Item #	Qty	Description	Material	Item #	Qty	Description	Material
1	1	Body	Ductile Iron A536 65-45-12	7	1	Bushing	Nylon 1010
2	1	Seat	EPDM	8	1	Circlip	Steel XC 75/Stainless Steel
3	1	Disc	Stainless Steel 316	9	1	Washer	Stainless Steel 304
4	1	Stem	Stainless Steel 420	10	1	Metal Tag	Aluminium
5	1	Circlip	Steel XC 75/Stainless Steel	11	1	Actuator*	Details on Spec Sheet SRCEL
6	1	O'Ring	NBR				

*Actuators are sized @ 145 psi ΔP and 50% safety factor

Flomatic Corporation can accept no responsibility for possible errors in catalogues, brochures and other printed material. Flomatic Corporation reserves the right to alter its products without notices. This also applies to product already agreed. All trademarks in this material are property of the respective companies. All rights reserved. ©2020 Flomatic Corporation. The drawings & information on this drawing sheet are the sole & exclusive property of Flomatic Corporation. Any reproduction, distribution, display or use of these drawings or information in whole or in part without written authorization of Flomatic Corporation is strictly prohibited. www.flomatic.com

Butterfly Valves

Lug with Actuator

Sizes 10" & 12" / 250 mm & 300 mm

Dimensions

Dimensions (ASME B16.42 150# Flange / ISO 5211 Top Flange)

Size		Part #	A		B		C	
inch	mm		inch	mm	inch	mm	inch	mm
10	250	S3L11A	7.6	194	10.75	273	2.68	68
12	300	S3L12A	8.8	223	12.24	311	3.07	78

Size		D		E		F		G		H		J		ØK		L	M	*Actuator #	Wgt Lug	
inch	mm	inch	mm	inch	mm	inch	mm	inch	mm	inch	mm	inch	mm	inch	mm	# of Holes	Thread		lbs	kg
10	250	12.60	320	30.95	125	15.59	396	3.70	94	9.97	253	1.33	34	14.25	362.0	12	7/8-9	FCEL-50ALS	125	57
12	300	14.21	361	35.25	895	18.18	462	4.46	113	11.90	302	1.42	36	17.00	431.8	12	7/8-9	FCEL-60ALS	159	72

Flomatic Corporation can accept no responsibility for possible errors in catalogues, brochures and other printed material. Flomatic Corporation reserves the right to alter its products without notices. This also applies to product already agreed. All trademarks in this material are property of the respective companies. All rights reserved. ©2020 Flomatic Corporation. The drawings & information on this drawing sheet are the sole & exclusive property of Flomatic Corporation. Any reproduction, distribution, display or use of these drawings or information in whole or in part without written authorization of Flomatic Corporation is strictly prohibited. www.flomatic.com