

Butterfly Valve

Lug with Lever

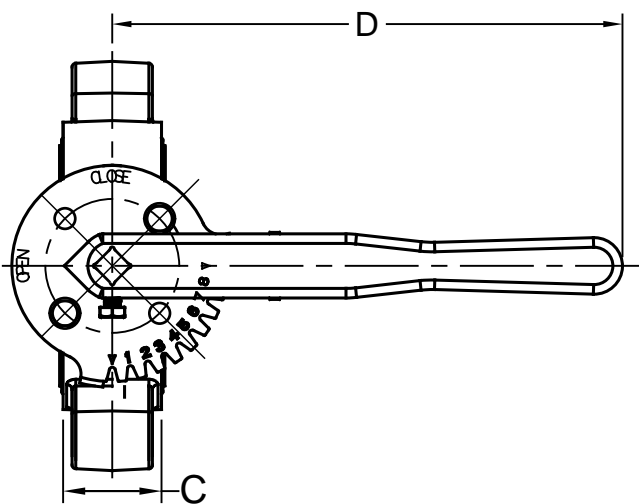
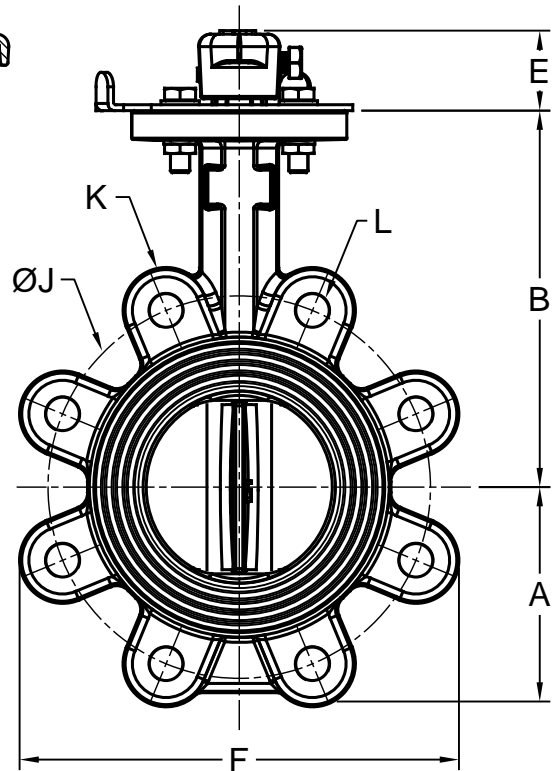
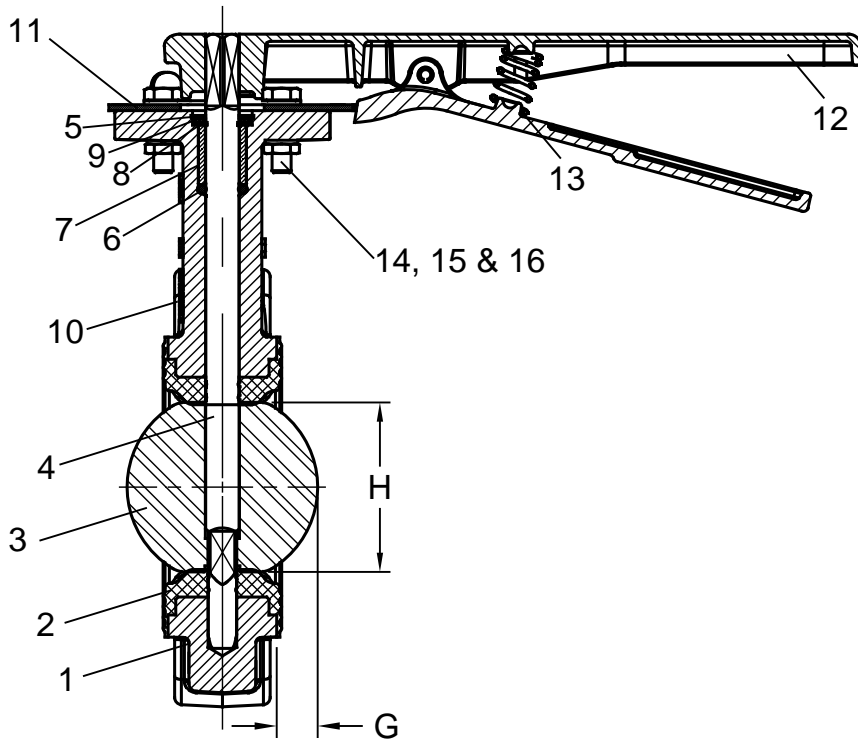
Sizes 6" & 8" / 150 mm & 300 mm

Sylax® 3 **FLOMATIC®**

Flomatic Corporation



Materials



Flomatic Corporation can accept no responsibility for possible errors in catalogues, brochures and other printed material. Flomatic Corporation reserves the right to alter its products without notices. This also applies to product already agreed. All trademarks in this material are property of the respective companies. All rights reserved. ©2020 Flomatic Corporation. The drawings & information on this drawing sheet are the sole & exclusive property of Flomatic Corporation. Any reproduction, distribution, display or use of these drawings or information in whole or in part without written authorization of Flomatic Corporation is strictly prohibited. www.flomatic.com

Butterfly Valves

Lug with Lever

Sizes 6" & 8"/ 150 mm & 200 mm

Materials

Max Temp 220°F (104°C)
Max Pressure 250psi (17bar)
Bi-Directional & Dead End Service Pressure Rating 250psi (17 bar)

Item #	Qty	Description	Material	Item #	Qty	Description	Material
1	1	Body	Ductile Iron A536 65-45-12	9	1	Washer	Stainless Steel 304
2	1	Seat	EPDM	10	1	Metal Tag	Aluminium
3	1	Disc	Stainless Steel 316	11	1	Cover	Nickle Plated Carbon Steel
4	1	Shaft	Stainless Steel 420	12	1	Lever Assembly	Ductile Iron A536 65-45-12
5	1	Circlip	Steel XC 75/Stainless Steel	13	1	Spring	Carbon Steel
6	1	O'Ring	NBR	14	4	SHC Screw	Zinc Plated Carbon Steel
7	1	Bushing	Nylon 1010	15	4	Stop Washer	Zinc Plated Carbon Steel
8	1	Circlip	Steel XC 75/Stainless Steel	16	4	Nut	Zinc Plated Carbon Steel

Dimensions (ASME B16.42 150# Flange / ISO 5211 Top Flange)

Size		Part #	A		B	
inch	mm		inch	mm	inch	mm
6	150	S3L09	5.0	128	7.97	203
8	200	S3L10	6.4	162	9.59	244

Size		C		D		E		F		G		H		ØJ		K	L	Wgt Lug	
inch	mm	inch	mm	inch	mm	inch	mm	inch	mm	inch	mm	inch	mm	inch	mm	# of Holes	Thread	lbs	kg
6	150	2.20	56	10.51	267	1.18	30	10.50	267	1.97	50	6.14	156	9.50	241.3	8	3/4-10	27.3	12.4
8	200	2.36	60	14.02	356	1.58	40	12.70	323	2.95	75	8.14	207	11.75	298.5	8	3/4-10	45	20.4

Flomatic Corporation can accept no responsibility for possible errors in catalogues, brochures and other printed material. Flomatic Corporation reserves the right to alter its products without notices. This also applies to product already agreed. All trademarks in this material are property of the respective companies. All rightd reserved. ©2020 Flomatic Corporation. The drawings & information on this drawing sheet are the sole & exclusive property of Flomatic Corporation. Any reproduction, distribution, display or use of these drawingsor information in whole or in part without written authorization of Flomatic Corporation is strictly prohibited. www.flomatic.com

Butterfly Valve

Lug with Lever

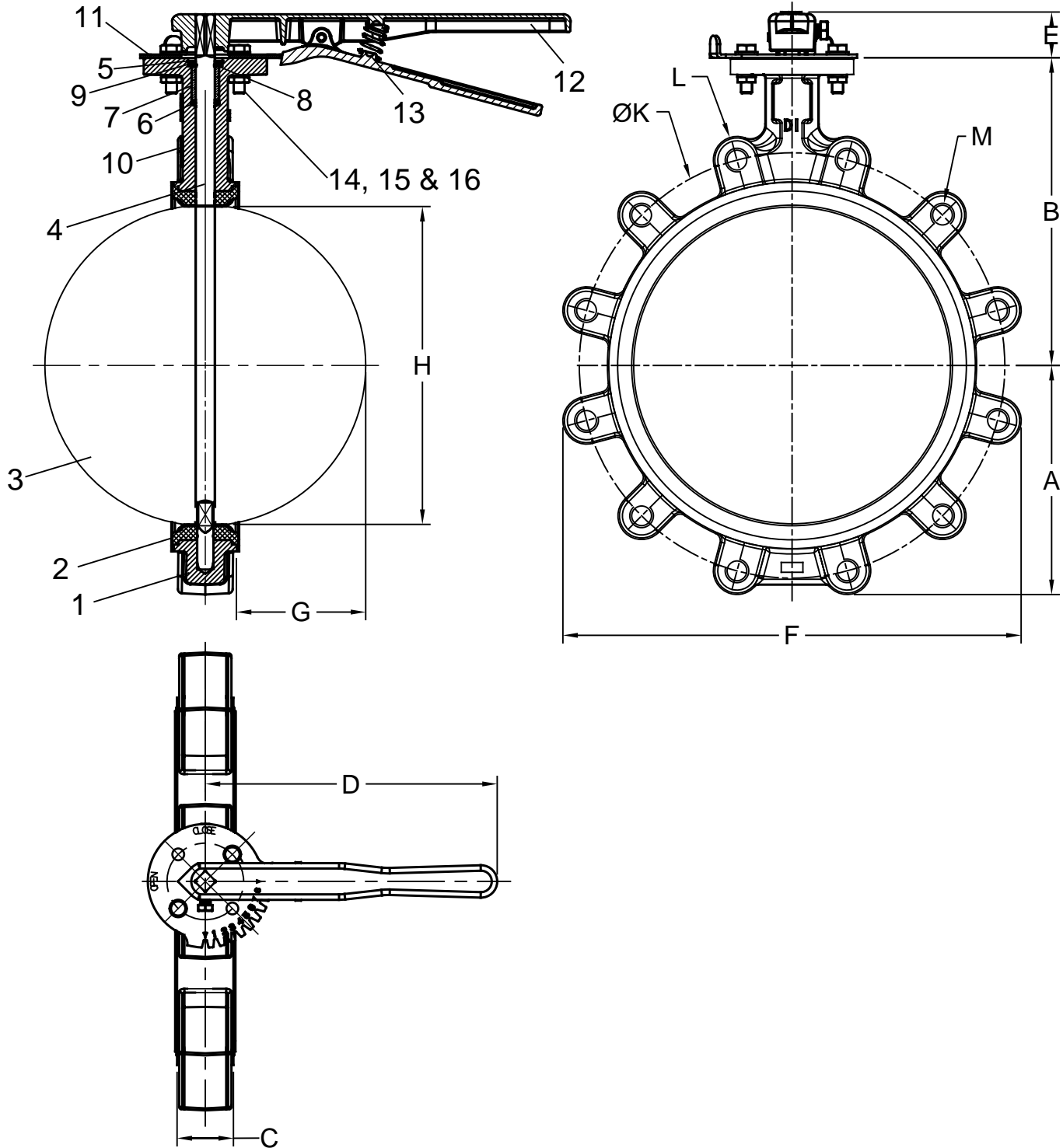
Sizes 10" Thru 12"/ 250 mm Thru 300 mm

Sylax® 3 **FLOMATIC**®

Flomatic Corporation



Materials



Flomatic Corporation can accept no responsibility for possible errors in catalogues, brochures and other printed material. Flomatic Corporation reserves the right to alter its products without notices. This also applies to product already agreed. All trademarks in this material are property of the respective companies. All rights reserved. ©2020 Flomatic Corporation. The drawings & information on this drawing sheet are the sole & exclusive property of Flomatic Corporation. Any reproduction, distribution, display or use of these drawings or information in whole or in part without written authorization of Flomatic Corporation is strictly prohibited. www.flomatic.com

Butterfly Valves

Lug with Lever

Sizes 10" & 12"/ 250 mm & 300 mm

Materials

Max Temp 220°F (104°C)
Max Pressure 250psi (17bar)
Bi-Directional & Dead End Service Pressure Rating 250psi (17 bar)

Item #	Qty	Description	Material	Item #	Qty	Description	Material
1	1	Body	Ductile Iron A536 65-45-12	9	1	Washer	Stainless Steel 304
2	1	Seat	EPDM	10	1	Metal Tag	Aluminium
3	1	Disc	Stainless Steel 316	11	1	Cover	Nickle Plated Carbon Steel
4	1	Shaft	Stainless Steel 420	12	1	Lever Assembly	Ductile Iron A536 65-45-12
5	1	Circlip	Steel XC 75/Stainless Steel	13	1	Spring	Carbon Steel
6	1	O'Ring	NBR	14	4	SHC Screw	Zinc Plated Carbon Steel
7	1	Bushing	Nylon 1010	15	4	Stop Washer	Zinc Plated Carbon Steel
8	1	Circlip	Steel XC 75/Stainless Steel	16	4	Nut	Zinc Plated Carbon Steel

Dimensions (ASME B16.42 150# Flange / ISO 5211 Top Flange)

Size		Part #	A		B	
inch	mm		inch	mm	inch	mm
10	250	S3L11	7.6	194	10.75	273
12	300	S3L12	8.8	223	12.24	311

Size		C		D		E		F		G		H		ØJ		K	L	Wgt Lug	
inch	mm	inch	mm	inch	mm	inch	mm	inch	mm	inch	mm	inch	mm	inch	mm	# of Holes	Thread	lbs	kg
10	250	2.68	68	19.29	490	1.58	40	15.59	396	3.70	94	9.97	253	14.25	362.0	12	7/8-9	66.5	30.2
12	300	3.07	78	19.29	490	1.58	40	18.18	462	4.46	113	11.90	302	17.00	431.8	12	7/8-9	92.7	42

Flomatic Corporation can accept no responsibility for possible errors in catalogues, brochures and other printed material. Flomatic Corporation reserves the right to alter its products without notices. This also applies to product already agreed. All trademarks in this material are property of the respective companies. All rights reserved. ©2020 Flomatic Corporation. The drawings & information on this drawing sheet are the sole & exclusive property of Flomatic Corporation. Any reproduction, distribution, display or use of these drawings or information in whole or in part without written authorization of Flomatic Corporation is strictly prohibited. www.flomatic.com