

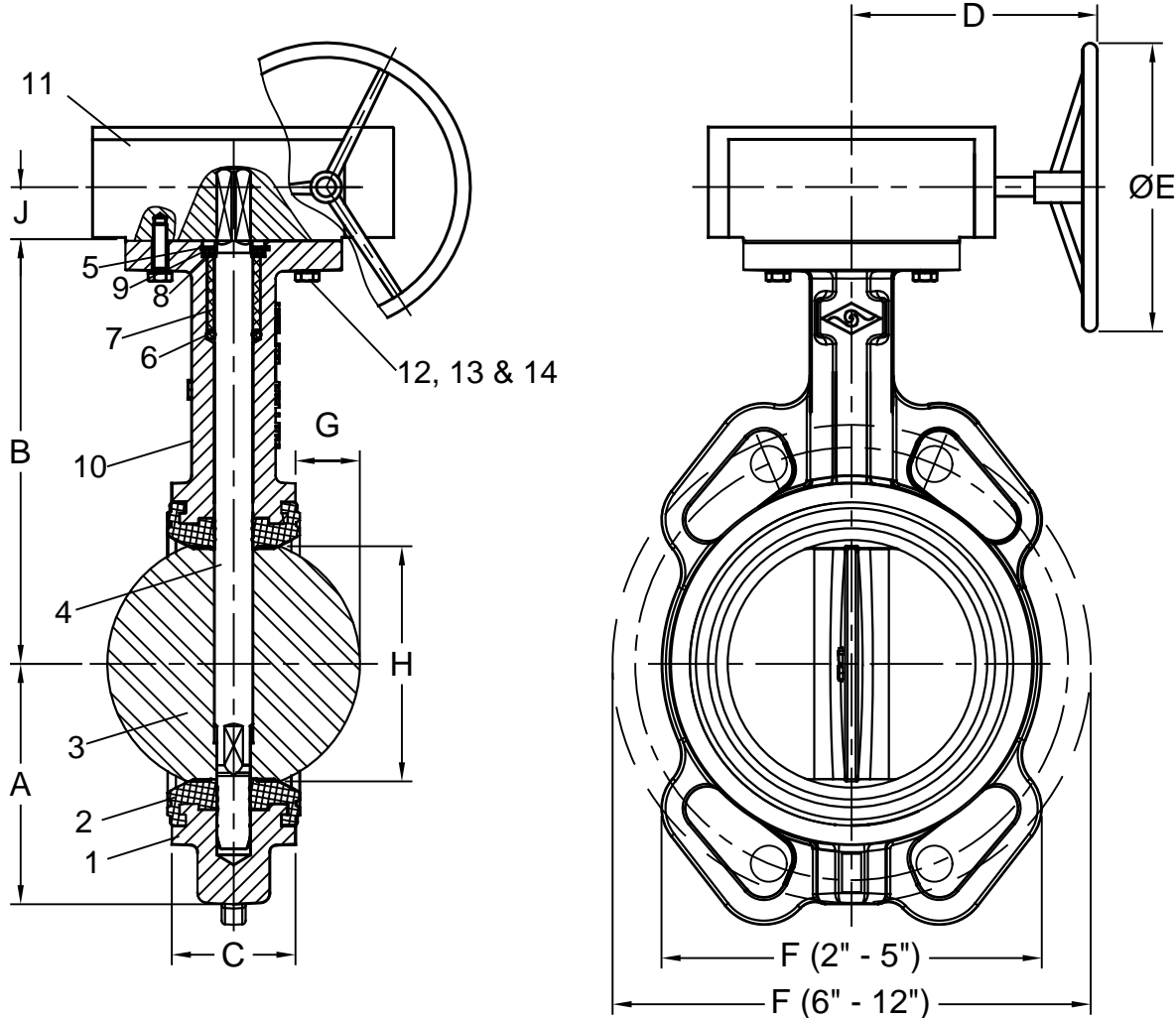
# Butterfly Valve Wafer with Gear Box

Sizes 2" Thru 12"/ 50 mm Thru 300 mm

Sylax® 3 **FLOMATIC®**

Flomatic Corporation

## Materials



Max Temp 220°F (104°C)  
 Max Pressure 250psi (17bar)  
 Bi-Directional & Dead End Service Pressure Rating 250psi (17 bar)

Item #	Qty	Description	Material	Item #	Qty	Description	Material
1	1	Body	Ductile Iron A536 65-45-12	8	1	Circlip	Steel XC 75/Stainless Steel
2	1	Seat	EPDM	9	1	Washer	Stainless Steel 304
3	1	Disc	Stainless Steel 316	10	1	Metal Tag	Aluminium
4	1	Shaft	Stainless Steel 420	11	1	Gear Box	Ductile Iron A536 65-45-12
5	1	Circlip	Steel XC 75/Stainless Steel	12	2	SHC Screw	Zinc Plated Carbon Steel
6	1	O'Ring	MBR	13	2	Stop Washer	Zinc Plated Carbon Steel
7	1	Bushing	Nylon 1010	14	2	Nut	Zinc Plated Carbon Steel

Flomatic Corporation can accept no responsibility for possible errors in catalogues, brochures and other printed material. Flomatic Corporation reserves the right to alter its products without notices. This also applies to product already agreed. All trademarks in this material are property of the respective companies. All right reserved. ©2018 Flomatic Corporation. The drawings & information on this drawing sheet are the sole & exclusive property of Flomatic Corporation. Any reproduction, distribution, display or use of these drawings or information in whole or in part without written authorization of Flomatic Corporation is strictly prohibited. [www.flomatic.com](http://www.flomatic.com)

# Butterfly Valves

# Wafer with Gear Box

Sylax® 3



Sizes 2" Thru 12"/ 50 mm Thru 300 mm

## Dimensions



### ASME B16.5 150# Flange / ISO 5211 Top Flange

Size		Part #	A		B		C		D		ØE		F*		G		H		J		Wgt Lug	
inch	mm		inch	mm	inch	mm	inch	mm	inch	mm	inch	mm	inch	mm	inch	mm	inch	mm	inch	mm	lbs	kg
2	50	S3W04G	2.5	65	5.67	141	1.69	43	6.22	158	5.91	150	5.15	131	.21	5	2.12	54	1.15	29	11.6	5.3
2-1/2	65	S3W05G	2.8	72	6.02	156	1.81	46	6.22	158	5.91	150	5.66	144	.38	10	2.57	64	1.15	29	12.6	5.7
3	80	S3W06G	3.4	86	6.22	158	1.81	46	6.22	158	5.91	150	5.86	149	.66	17	3.14	80	1.15	29	13.3	6.1
4	100	S3W07G	3.9	100	7	178	2.05	52	6.22	158	5.91	150	6.27	159	1.04	27	4.13	105	1.15	29	15.8	7.2
5	125	S3W08G	4.4	112	7.52	191	2.20	56	6.22	158	5.91	150	7.17	182	1.46	37	5.12	130	1.15	29	22.3	10.1
6	150	S3W09G	5.0	128	7.97	203	2.20	56	6.22	158	5.91	150	8.36	212	1.97	50	6.14	156	1.15	29	23.8	10.8
8	200	S3W10G	6.4	162	9.59	244	2.36	60	9.41	239	11.81	300	10.50	267	2.95	75	8.14	207	1.33	34	51.6	23.4
10	250	S3W11G	7.6	194	10.75	273	2.68	68	9.41	239	11.81	300	12.66	322	3.70	94	9.97	253	1.33	34	64.5	29.3
12	300	S3W12G	8.8	223	12.24	311	3.07	78	9.41	239	11.81	300	14.72	374	4.46	113	11.89	302	1.42	36	97.9	44.4

F\* - 6" THRU 12" BODY IS WIDER THAN THE BOLT LUGS - SEE SPEC SS3W04

Flomatic Corporation can accept no responsibility for possible errors in catalogues, brochures and other printed material. Flomatic Corporation reserves the right to alter its products without notices. This also applies to product already agreed. All trademarks in this material are property of the respective companies. All right reserved. ©2018 Flomatic Corporation. The drawings & information on this drawing sheet are the sole & exclusive property of Flomatic Corporation. Any reproduction, distribution, display or use of these drawings or information in whole or in part without written authorization of Flomatic Corporation is strictly prohibited. www.flomatic.com

