

Butterfly Valve

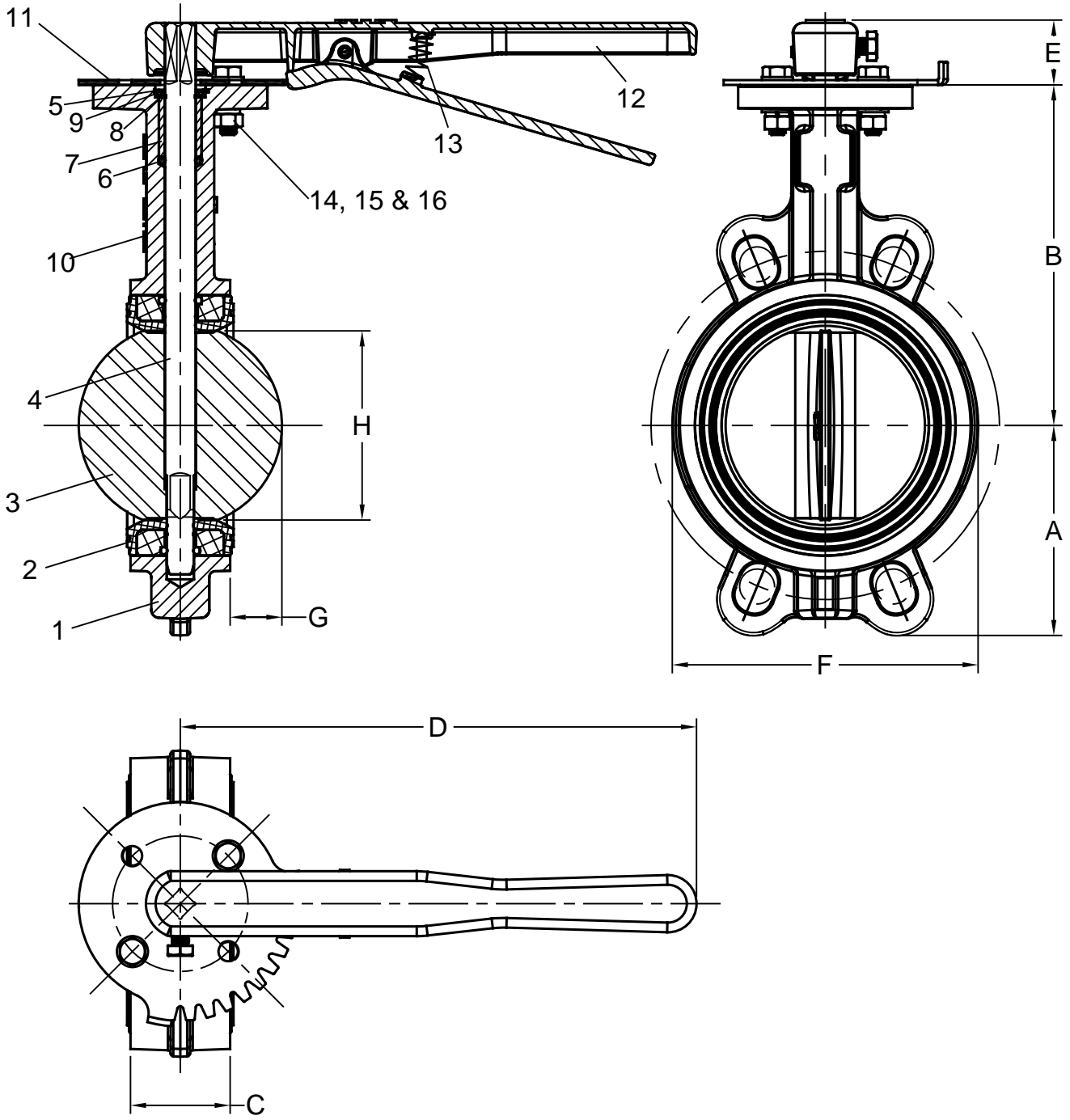
Wafer with Lever

Sizes 6" Thru 12"/ 150 mm Thru 300 mm

Sylax® 3 **FLOMATIC**®

Flomatic Corporation

Materials



Flomatic Corporation can accept no responsibility for possible errors in catalogues, brochures and other printed material. Flomatic Corporation reserves the right to alter its products without notices. This also applies to product already agreed. All trademarks in this material are property of the respective companies. All right reserved. ©2018 Flomatic Corporation. The drawings & information on this drawing sheet are the sole & exclusive property of Flomatic Corporation. Any reproduction, distribution, display or use of these drawings or information in whole or in part without written authorization of Flomatic Corporation is strictly prohibited. www.flomatic.com

Butterfly Valves

Wafer with Lever

Sizes 6" Thru 12"/ 150 mm Thru 300 mm

Materials



Max Temp 220°F (104°C)
Max Pressure 250psi (17bar)
Bi-Directional & Dead End Service Pressure Rating 250psi (17 bar)

Item #	Qty	Description	Material	Item #	Qty	Description	Material
1	1	Body	Ductile Iron A536 65-45-12	9	1	Washer	Stainless Steel 304
2	1	Seat	EPDM	10	1	Metal Tag	Aluminium
3	1	Disc	Stainless Steel 316	11	1	Plate	Nickle Plated Carbon Steel
4	1	Shaft	Stainless Steel 420	12	1	Lever Assembly	Ductile Iron A536 65-45-12
5	1	Circlip	Steel XC 75/Stainless Steel	13	1	Spring	Carbon Steel
6	1	O'Ring	NBR	14	2	SHC Screw	Zinc Plated Carbon Steel
7	1	Bushing	Nylon 1010	15	2	Stop Washer	Zinc Plated Carbon Steel
8	1	Circlip	Steel XC 75/Stainless Steel	16	2	Nut	Zinc Plated Carbon Steel

Dimensions (ASME B16.5 150# Flange / ISO 5211 Top Flange)

Size		Part #	A		B		C		D		E		F		G		H		Wgt Lug	
inch	mm		inch	mm	inch	mm	inch	mm	inch	mm	inch	mm	inch	mm	inch	mm	inch	mm	lbs	kg
6	150	S3W09	5.0	128	7.97	203	2.20	56	10.51	267	1.18	30	8.36	212	1.97	50	6.14	156	17	7.7
8	200	S3W10	6.4	162	9.59	244	2.36	60	14.02	356	1.58	40	10.50	267	2.95	75	8.14	207	32.1	14.6
10	250	S3W11	7.6	194	10.75	273	2.68	68	19.29	490	1.58	40	12.66	322	3.70	94	9.97	253	45	20.4
12	300	S3W12	8.8	223	12.24	311	3.07	78	19.29	490	1.58	40	14.72	374	4.46	113	11.90	302	72.4	32.8

Flomatic Corporation can accept no responsibility for possible errors in catalogues, brochures and other printed material. Flomatic Corporation reserves the right to alter its products without notices. This also applies to product already agreed. All trademarks in this material are property of the respective companies. All right reserved. ©2018 Flomatic Corporation. The drawings & information on this drawing sheet are the sole & exclusive property of Flomatic Corporation. Any reproduction, distribution, display or use of these drawings or information in whole or in part without written authorization of Flomatic Corporation is strictly prohibited. www.flomatic.com