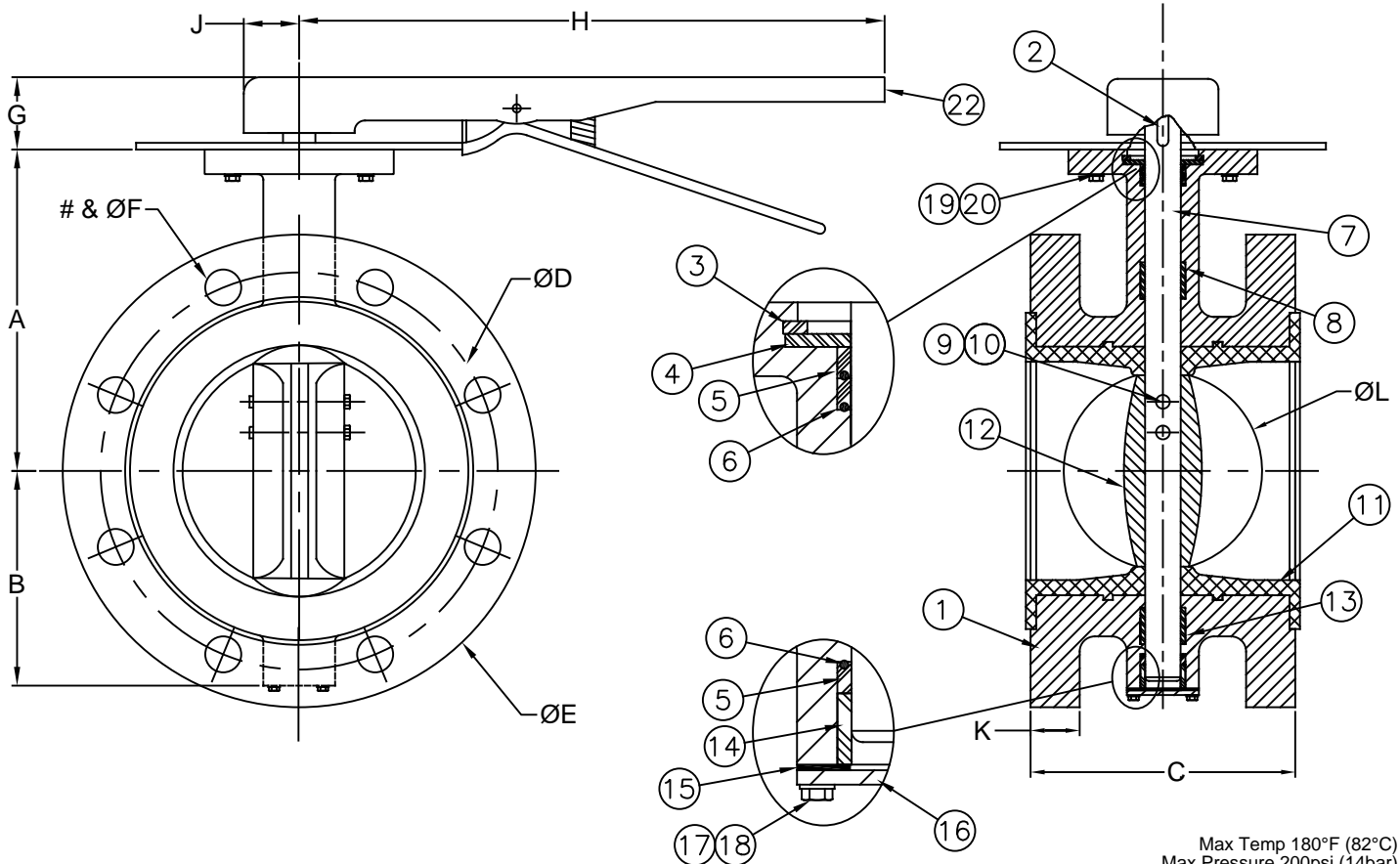


Sizes 3" Thru 6" / 80 mm Thru 150 mm
150 ANSI B16.5 FLANGE

Materials (with Lever & Buna-N Seat)



Max Temp 180°F (82°C)
Max Pressure 200psi (14bar)
Max Pressure Differential 150psi (10bar)

Item #	Description	Material	Item #	Description	Material
1	Body	Ductile Iron A536	12	Disc	Ductile Iron & 316SS Trim
2	Key	ASTM 1045	13	Lower Bushing	ASTM S304+F4
3	C Clip	AISI 1066	14	Lower Bearing	Nylon
4	Washer	Stainless Steel	15	Bottom Cover Gasket	Buna-N
5	U-Cup	Buna-N	16	Bottom Cover	Ductile Iron A536
6	O'Ring	Buna-N	17	Washer	Stainless Steel 304
7	Shaft	Stainless Steel 316	18	Bolt	Stainless Steel 304
8	Upper Bushing	ASTM S304+F4	19	Washer	Stainless Steel 304
9	Threaded Taper Pin	Stainless Steel 304	20	Bolt	Stainless Steel 304
10	Nut	Stainless Steel 304	21	Lever	Various
11	Gasket*	Buna-N			

* EPDM Optional

Flomatic Corporation can accept no responsibility for possible errors in catalogues, brochures and other printed material. Flomatic Corporation reserves the right to alter its products without notices. This also applies to product already agreed. All trademarks in this material are property of the respective companies. All rights reserved. ©2020 Flomatic Corporation. The drawings & information on this drawing sheet are the sole & exclusive property of Flomatic Corporation. Any reproduction, distribution, display or use of these drawings or information in whole or in part without written authorization of Flomatic Corporation is strictly prohibited. www.flomatic.com

Dimensions



Size		Part #	A		B		C		ØD		ØE		# & ØF	
inch	mm		inch	mm	inch	mm	inch	mm	inch	mm	inch	mm	inch	mm
3	80	450000061	6.25	159	3.54	90	5.00	127	6.0	152	7.50	190	4-.75	19
4	100	450000071	7.00	178	3.98	101	5.00	127	7.5	191	9.06	230	8-.75	19
6	150	450000091	8.00	203	5.87	149	5.00	127	9.5	241	11.00	280	8-.88	22

Size		G		H		J		K		ØL		Weight	
inch	mm	inch	mm	inch	mm	inch	mm	inch	mm	inch	mm	lbs	kg
3	80	1.57	40	10.24	260	.98	25	.75	19	2.93	74.6	27	12.2
4	100	1.57	40	10.24	260	.98	25	.94	24	3.71	94.3	39	17.7
6	150	2.05	52	17.72	450	1.50	38	1.00	25	5.63	142.9	65	29.4

Flomatic Corporation can accept no responsibility for possible errors in catalogues, brochures and other printed material. Flomatic Corporation reserves the right to alter its products without notices. This also applies to product already agreed. All trademarks in this material are property of the respective companies. All rights reserved. ©2020 Flomatic Corporation. The drawings & information on this drawing sheet are the sole & exclusive property of Flomatic Corporation. Any reproduction, distribution, display or use of these drawings or information in whole or in part without written authorization of Flomatic Corporation is strictly prohibited. www.flomatic.com