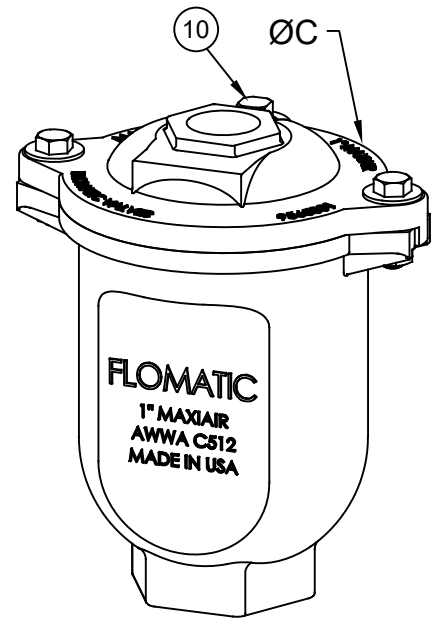
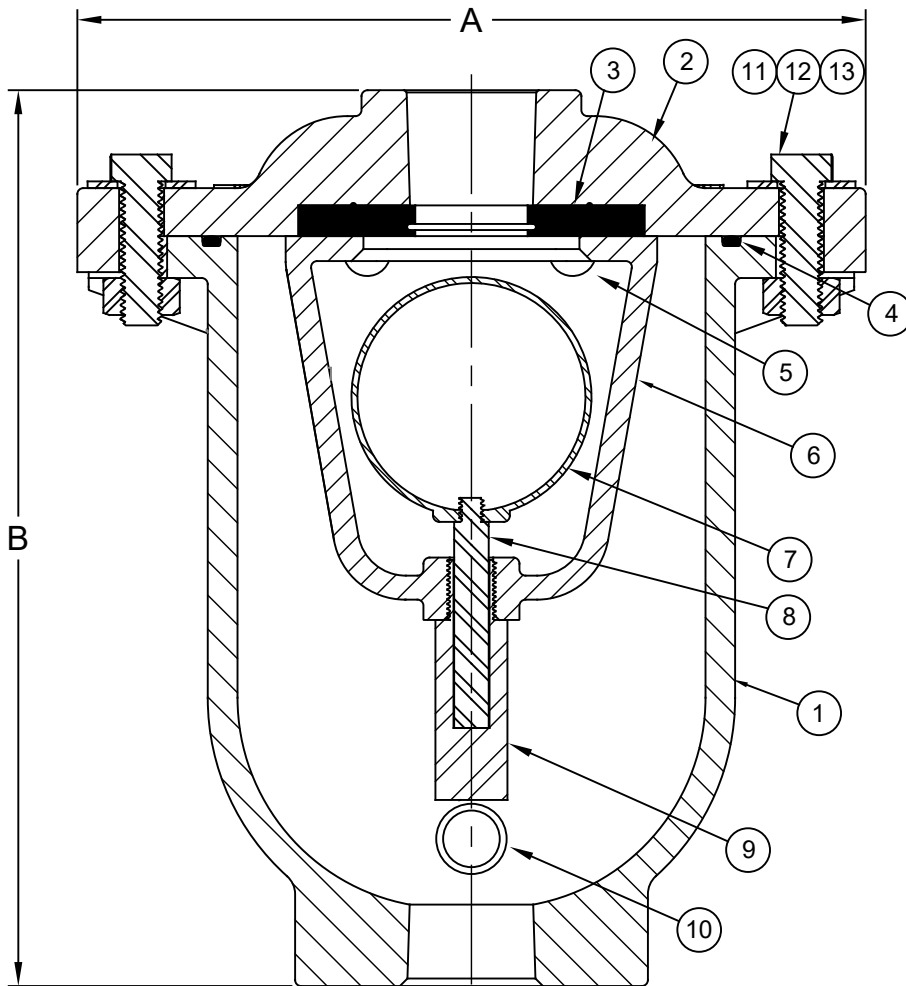


# Air Release Valve

Sizes 1" / 25 mm  
AIS COMPLIANT-MADE IN THE USA

## Materials



Standard operating pressure is:  
minimum 20 psig & maximum 150 psig.  
Consult factory for pressure outside this range.

Item #	Qty	Description	Material	ASTM	Item #	Qty	Description	Material	ASTM
1	1	Body	Ductile Iron	65-45-12	8	1	Stem	Stainless Steel	316
2	1	Cover	Ductile Iron	65-45-12	9	1	Bushing	Stainless Steel	316
3	1	Seat	Buna	-----	10	2	Pipe Plug 1/2" NPT	Stainless Steel	316
4	1	Cover O-Ring	Viton	-----	11	1	Cover Bolt	Stainless Steel	316
5	4	Button Head Cap Screw	Stainless Steel	316	12	6	Cover Washer	Stainless Steel	316
6	1	Guide	Ductile Iron	65-45-12	13	1	Cover Nut	Stainless Steel	316
7	1	Float	Stainless Steel	316					

## Dimensions (FNPT)

Max. Temp 150°F (65C)  
Max. Inlet Pressure 150 psi (10 bar)

### ANSI B1.20.1

Size		Part #	A		B		ØC		INLET SIZE		OUTLET SIZE		Weight	
inch	mm		inch	mm	inch	mm	inch	mm	inch	mm	inch	mm	lbs	kg
1	25	3521	8-7/32	209	9-21/64	237	6-1/4	159	1	25	1	25	20	9

Flomatic Corporation can accept no responsibility for possible errors in catalogues, brochures and other printed material. Flomatic Corporation reserves the right to alter its products without notices. This also applies to product already agreed. All trademarks in this material are property of the respective companies. All rights reserved. ©2022 Flomatic Corporation. The drawings & information on this drawing sheet are the sole & exclusive property of Flomatic Corporation. Any reproduction, distribution, display or use of these drawings or information in whole or in part without written authorization of Flomatic Corporation is strictly prohibited. [www.flomatic.com](http://www.flomatic.com)