

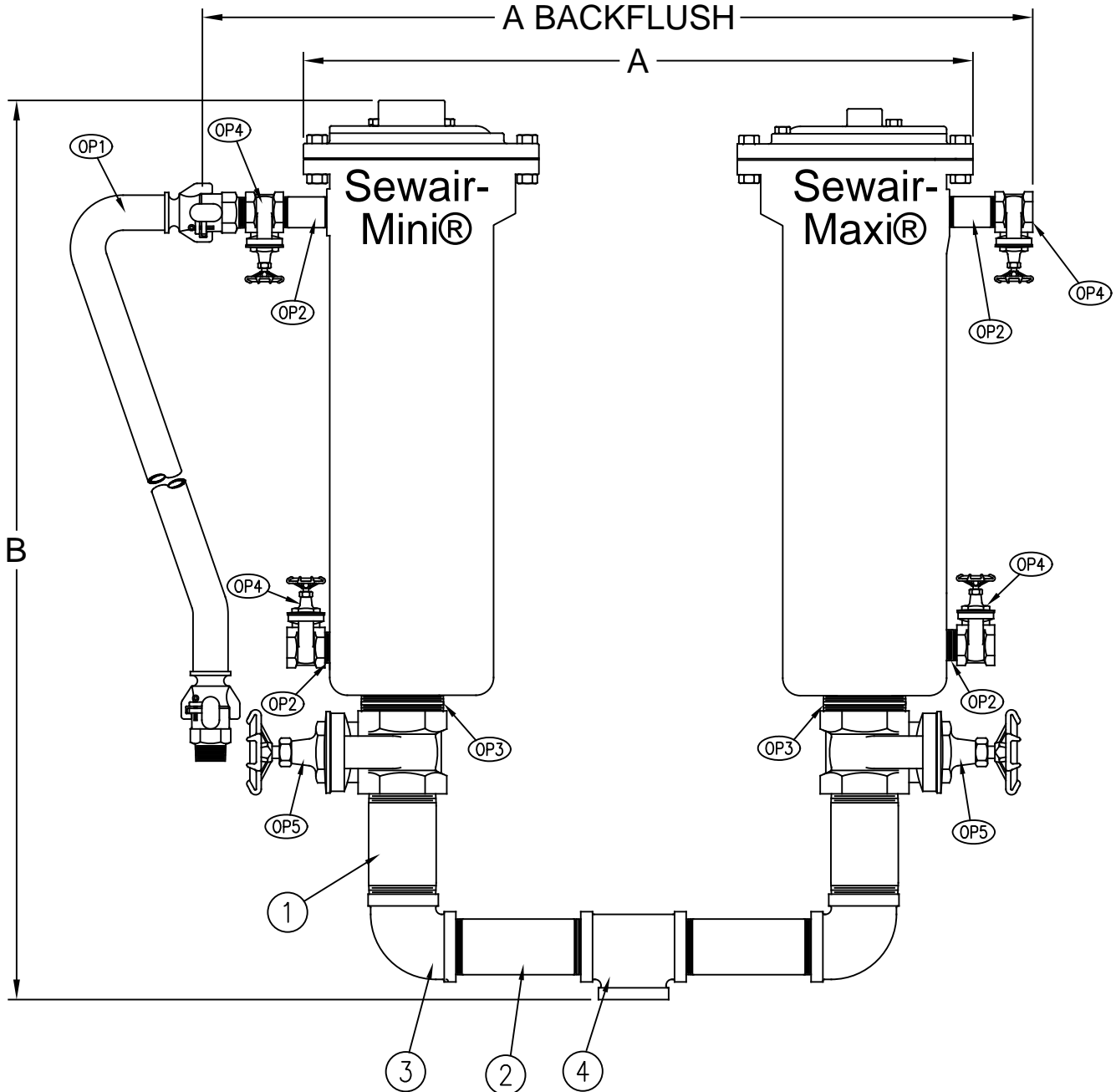
# Air Release Valve

Sizes 2" / 50mm

Sewair-Dual® **FLOMATIC®**

Flomatic Corporation

## Materials



Drawing shown with optional backflush

Flomatic Corporation can accept no responsibility for possible errors in catalogues, brochures and other printed material. Flomatic Corporation reserves the right to alter its products without notices. This also applies to product already agreed. All trademarks in this material are property of the respective companies. All right reserved. ©2018 Flomatic Corporation. The drawings & information on this drawing sheet are the sole & exclusive property of Flomatic Corporation. Any reproduction, distribution, display or use of these drawings or information in whole or in part without written authorization of Flomatic Corporation is strictly prohibited. [www.flomatic.com](http://www.flomatic.com)

# Air Release Valve

Sizes 2" / 50mm

## Materials

\*Standard operating pressure is:  
minimum 20 psig & maximum 150 psig.  
Consult factory for pressure outside this range.

Optional Backflush			
Item #	Description	Material	ASTM
OP1	Backflush Assembly	See SBF2-3	-----
OP2	Nipple	Steel	A53
OP3	Nipple	Steel	A53
OP4	Shut-Off Valve	Brass	N/A
OP5	Shut-Off Valve	Brass	N/A

Item #	Description	Material	ASTM	Item #	Description	Material	ASTM
1	Nipple	Steel	A53	3	Elbow	Maleable Iron	A338
2	Nipple	Steel	A53	4	Tee	Maleable Iron	A338

Drawing shown with optional backflush  
For valve details see sheets S6600-1 & S6620-2

## Dimensions (NPT x NPT)

Max. Temp 150°F (65C)  
Max. Inlet Pressure 150 psi (10 bar)

Size		Part #	BF Part #	A		A with Backflush		B		INLET SIZE		OUTLET SIZE		Weight		Weight Backflush	
inch	mm			inch	mm	inch	mm	inch	mm	inch	mm	inch	mm	lbs	kg	lbs	kg
2	50	6640	BF2	23	584	26-5/8	676	25	635	2	50	1	25	110	50	122	56
2	50	6641	BF2	23	584	26-5/8	676	25	635	2	50	2	50	110	50	122	56

Meets AWWA C-512

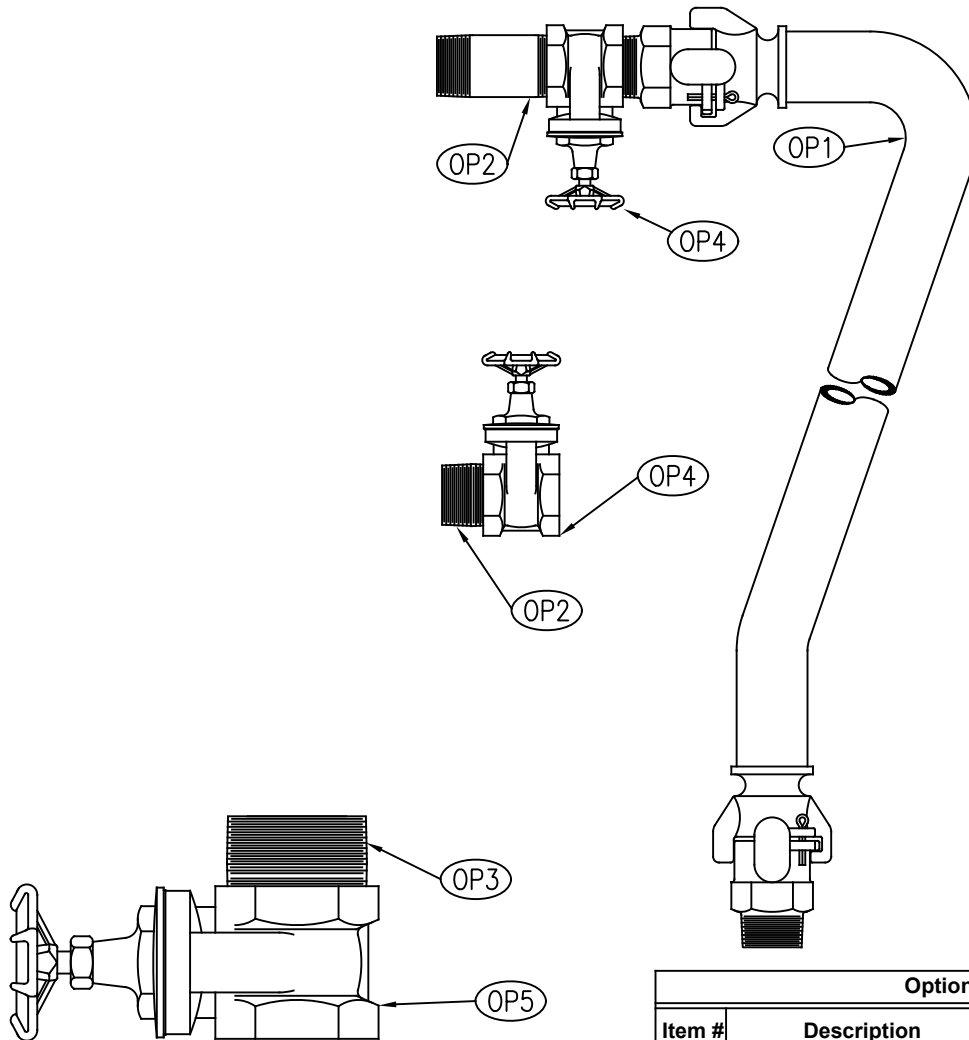
Flomatic Corporation can accept no responsibility for possible errors in catalogues, brochures and other printed material. Flomatic Corporation reserves the right to alter its products without notices. This also applies to product already agreed. All trademarks in this material are property of the respective companies. All right reserved. ©2018 Flomatic Corporation. The drawings & information on this drawing sheet are the sole & exclusive property of Flomatic Corporation. Any reproduction, distribution, display or use of these drawings or information in whole or in part without written authorization of Flomatic Corporation is strictly prohibited. [www.flomatic.com](http://www.flomatic.com)

# Air Release Valve

Sizes 2" thru 6" / 50mm thru 150mm

## Materials

Backflush is optional and shown for reference only.



Optional Backflush			
Item #	Description	Material	ASTM
OP1	Backflush Assembly	Reinforced Nylon w/ Plated Steel	-----
OP2	Blow-Off Nipple	Steel	A53
OP3	Inlet Nipple*	Steel	A53
OP4	Blow Off Shut-Off Valve	Brass	N/A
OP5	Inlet Shut-Off Valve	Brass	N/A

\*6" No nipple - flange & gasket use

## Dimensions

Valve Size		Part #	NPT OP2	Weight	
inch OP3	mm			lbs	kg
2	50	BF2	1"	12	6
3	75	BF3	1"	17	9
4	100	BF4	1"	29	6
6*	150*	BF6*	1"	140	64

\*6" Inlet Shut-Off Valve is 125# flanged.

When ordering backflush kit, size must match the air release valve inlet size.

Flomatic Corporation can accept no responsibility for possible errors in catalogues, brochures and other printed material. Flomatic Corporation reserves the right to alter its products without notices. This also applies to product already agreed. All trademarks in this material are property of the respective companies. All rights reserved. ©2022 Flomatic Corporation. The drawings & information on this drawing sheet are the sole & exclusive property of Flomatic Corporation. Any reproduction, distribution, display or use of these drawings or information in whole or in part without written authorization of Flomatic Corporation is strictly prohibited. [www.flomatic.com](http://www.flomatic.com)