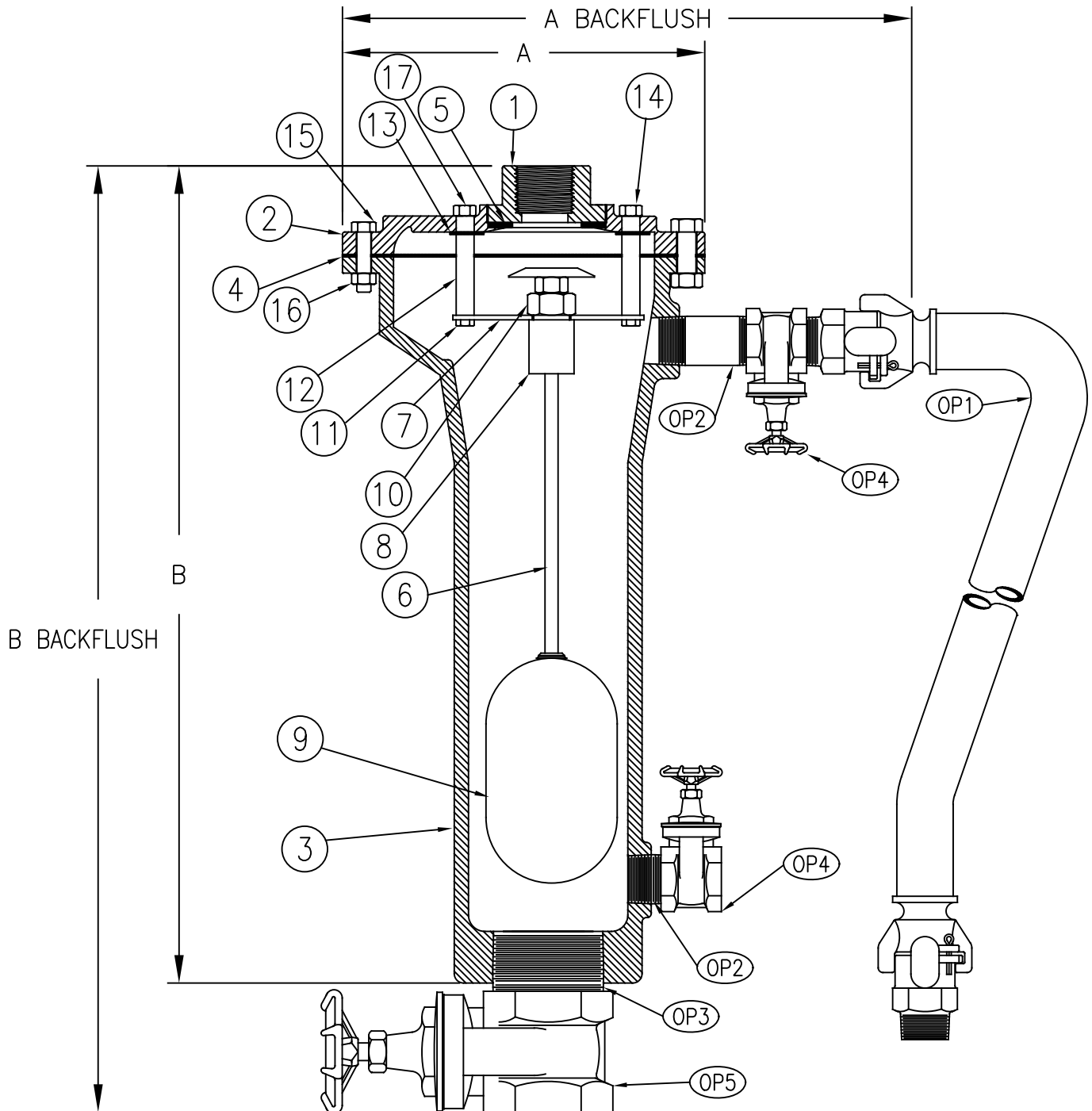


# Air Release Valve

Size 2" thru 4" / 50mm thru 100mm

## Materials



Drawing Shown with Optional Backflush

Flomatic Corporation can accept no responsibility for possible errors in catalogues, brochures and other printed material. Flomatic Corporation reserves the right to alter its products without notices. This also applies to product already agreed. All trademarks in this material are property of the respective companies. All right reserved. ©2018 Flomatic Corporation. The drawings & information on this drawing sheet are the sole & exclusive property of Flomatic Corporation. Any reproduction, distribution, display or use of these drawings or information in whole or in part without written authorization of Flomatic Corporation is strictly prohibited. [www.flomatic.com](http://www.flomatic.com)

# Air Release Valve

Size 2" thru 4" / 50mm thru 100mm

## Materials

\*Standard operating pressure is:  
minimum 20 psig & maximum 150 psig.  
Consult factory for pressure outside this range.

Optional Backflush			
Item #	Description	Material	ASTM
OP1	Backflush Assembly	See SBF2-3	-----
OP2	Nipple	Steel	A53
OP3	Nipple	Steel	A53
OP4	Shut-Off Valve	Brass	N/A
OP5	Shut-Off Valve	Brass	N/A

Item #	Description	Material	ASTM	Item #	Description	Material	ASTM
1	*Top	Cast Iron	A126	10	Jam Nut	Stainless Steel	A276
2	*Flange	Cast Iron	A126	11	Screw	Stainless Steel	A276
3	*Body	Cast Iron	A126	12	Stand Rod	Stainless Steel	A582
4	Flange Gasket	Armstrong	N-8092	13	Stand Rod Gasket	Fibre	-----
5	Seat	Buna-n	D2000	14	Stand Rod Nut	Steel	D2000
6	Float Rod	Stainless Steel	A582	15	Bolt	Steel	A563
7	Rod Guide Stand	Stainless Steel	A240	16	Nut	Steel	J429
8	Float Rod Guide	Nylantron	-----	17	Bolt	Steel	A563
9	Float	Stainless Steel	A240	*Optional Material Ductile Iron Drawing Shown with Optional Backflush			

## Dimensions (NPT x NPT)

Max. Temp 150°F (65C)  
Max. Inlet Pressure 150 psi (10 bar)

Size		Part #	BF Part #	A		A with Backflush		B		B with Backflush		Inlet Size		Outlet Size		Weight		Weight with Backflush	
inch	mm			inch	mm	inch	mm	inch	mm	inch	mm	inch	mm	inch	mm	inch	mm	lbs	kg
2	50	6620	BF2	9-11/16	246	11-3/4	299	21-1/2	546	25-1/4	641	2	50	1	25	49	23	60	28
2	50	6621	BF2	10-1/4	260	13-1/2	343	25-1/2	648	29-1/4	743	2	50	2	50	93	43	105	48
3	75	6622	BF3	10	254	13-1/2	343	21-3/4	552	27-1/4	692	3	75	3	75	100	46	117	53
4	100	6623	BF4	11-1/2	292	16	406	23-1/4	591	29	737	4	100	4	100	120	55	149	68

Meets AWWA C-512

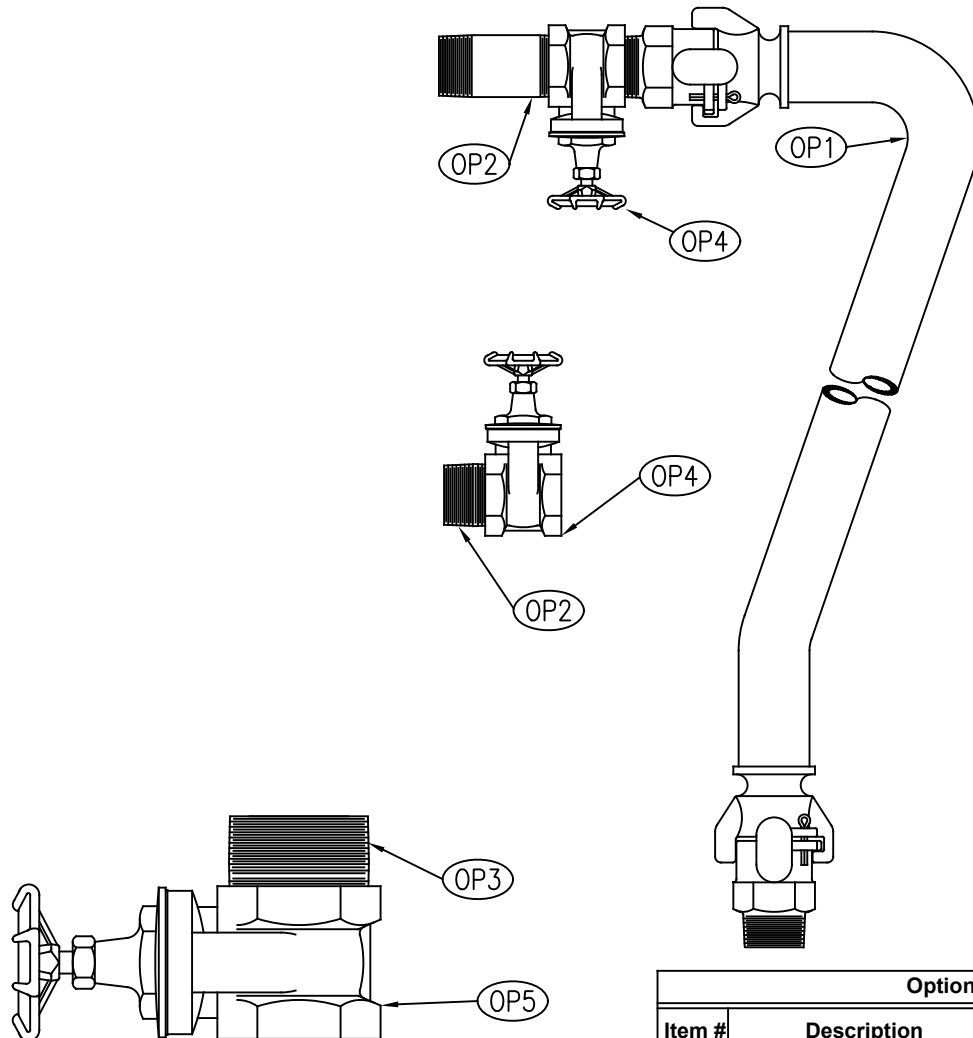
Flomatic Corporation can accept no responsibility for possible errors in catalogues, brochures and other printed material. Flomatic Corporation reserves the right to alter its products without notices. This also applies to product already agreed. All trademarks in this material are property of the respective companies. All right reserved. ©2018 Flomatic Corporation. The drawings & information on this drawing sheet are the sole & exclusive property of Flomatic Corporation. Any reproduction, distribution, display or use of these drawings or information in whole or in part without written authorization of Flomatic Corporation is strictly prohibited. www.flomatic.com

# Air Release Valve

Sizes 2" thru 6" / 50mm thru 150mm

## Materials

Backflush is optional and shown for reference only.



Optional Backflush			
Item #	Description	Material	ASTM
OP1	Backflush Assembly	Reinforced Nylon w/ Plated Steel	-----
OP2	Blow-Off Nipple	Steel	A53
OP3	Inlet Nipple*	Steel	A53
OP4	Blow Off Shut-Off Valve	Brass	N/A
OP5	Inlet Shut-Off Valve	Brass	N/A

\*6" No nipple - flange & gasket use

## Dimensions

Valve Size		Part #	NPT OP2	Weight	
inch OP3	mm			lbs	kg
2	50	BF2	1"	12	6
3	75	BF3	1"	17	9
4	100	BF4	1"	29	6
6*	150*	BF6*	1"	140	64

\*6" Inlet Shut-Off Valve is 125# flanged.

When ordering backflush kit, size must match the air release valve inlet size.

Flomatic Corporation can accept no responsibility for possible errors in catalogues, brochures and other printed material. Flomatic Corporation reserves the right to alter its products without notices. This also applies to product already agreed. All trademarks in this material are property of the respective companies. All rights reserved. ©2022 Flomatic Corporation. The drawings & information on this drawing sheet are the sole & exclusive property of Flomatic Corporation. Any reproduction, distribution, display or use of these drawings or information in whole or in part without written authorization of Flomatic Corporation is strictly prohibited. [www.flomatic.com](http://www.flomatic.com)