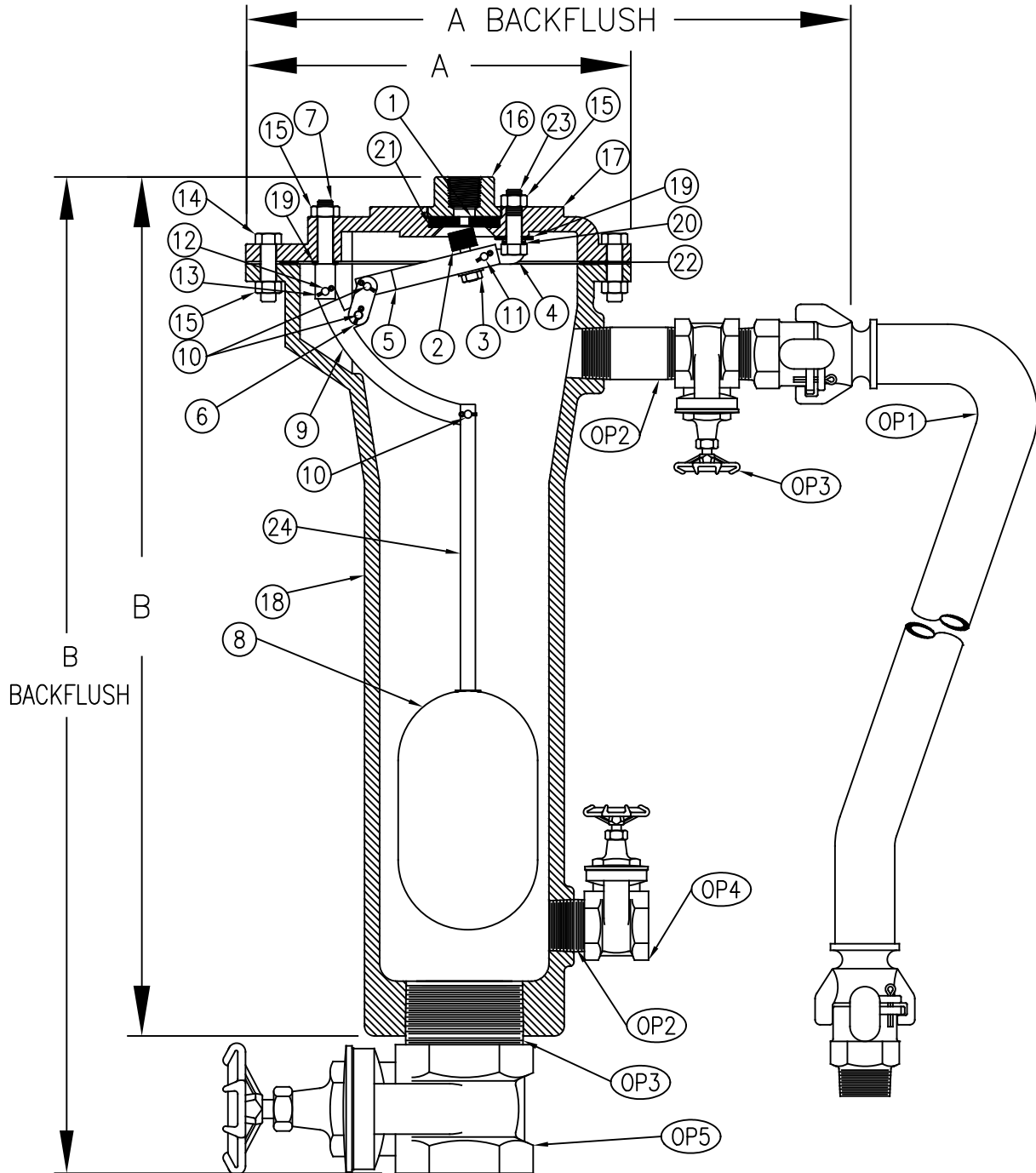


Air Release Valve

Size 2" & 3" / 50mm & 75mm

Materials



Drawing Shown with Optional Backflush

Flomatic Corporation can accept no responsibility for possible errors in catalogues, brochures and other printed material. Flomatic Corporation reserves the right to alter its products without notices. This also applies to product already agreed. All trademarks in this material are property of the respective companies. All right reserved. ©2018 Flomatic Corporation. The drawings & information on this drawing sheet are the sole & exclusive property of Flomatic Corporation. Any reproduction, distribution, display or use of these drawings or information in whole or in part without written authorization of Flomatic Corporation is strictly prohibited. www.flomatic.com

Air Release Valve

Size 2" & 3" / 50mm & 75mm

Materials

Optional Orifice Ø	Max. Working Pressure
* 1/4"	150 PSIG
1/8"	300 PSIG

*Standard operating pressure is: minimum 20 psig & maximum 150 psig. Consult factory for pressure outside this range.

Optional Backflush			
Item #	Description	Material	ASTM
OP1	Backflush Assembly	See SBF2-3	-----
OP2	Nipple	Steel	A53
OP3	Nipple	Steel	A53
OP4	Shut-Off Valve	Brass	N/A
OP5	Shut-Off Valve	Brass	N/A

Item #	Description	Material	ASTM	Item #	Description	Material	ASTM
1	Seat	PVC	1784	13	Cotter Pin	Stainless Steel	A240
2	Valve Plunger	Buna-n/SS	D2000/A193	14	Bolt	Steel	A307
3	Nut	Stainless Steel	A194	15	Nut	Steel	A563
4	Valve Fulcrum	Stainless Steel	A240	16	*Top	Cast Iron	A126
5	Valve Lever	Stainless Steel	A582	17	*Flange	Cast Iron	A126
6	Link	Stainless Steel	A240	18	*Body	Cast Iron	A126
7	Ball Fulcrum	Stainless Steel	A582	19	Fulcrum Washer	Fibre	D710
8	Float	Stainless Steel	A240	20	Fulcrum Washer	Fibre	D710
9	Ball Lever	Stainless Steel	A240	21	Seat Washer	Fibre	D2000
10	Bearing Pin	Stainless Steel	A582	22	Flange Gasket	Armstrong	N-8090
11	Bearing Pin	Stainless Steel	A582	23	Bolt	Stainless Steel	A193
12	Bearing Pin	Stainless Steel	A582	24	Float Rod	Stainless Steel	A582

*Optional Material Ductile Iron
Drawing Shown with Optional Backflush

Dimensions (NPT x NPT)

Max. Temp 150°F (65C)

Size		Part #	BF Part #	A		A with Backflush		B		B with Backflush		Inlet Size		Outlet Size		Weight		Weight with Backflush	
inch	mm			inch	mm	inch	mm	inch	mm	inch	mm	inch	mm	inch	mm	lbs	kg	lbs	kg
2	50	6600	BF2	9-11/16	246	11-1/4	286	21-1/2	546	25-1/4	641	2	50	1/2	15	49	23	60	28
3	75	6601	BF3	9-11/16	246	11-1/4	286	21-1/2	546	27-1/4	692	3	75	1/2	15	49	23	66	30

Meets AWWA C-512

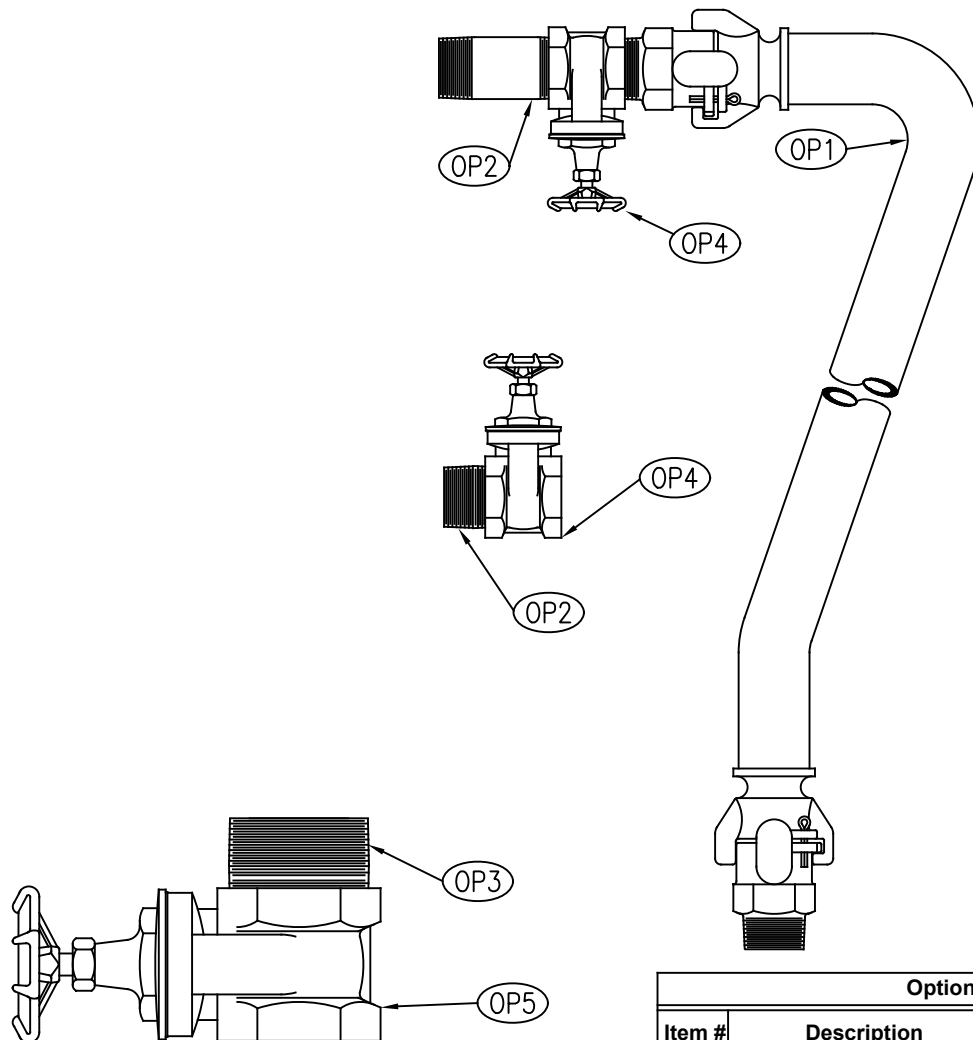
Flomatic Corporation can accept no responsibility for possible errors in catalogues, brochures and other printed material. Flomatic Corporation reserves the right to alter its products without notices. This also applies to product already agreed. All trademarks in this material are property of the respective companies. All right reserved. ©2018 Flomatic Corporation. The drawings & information on this drawing sheet are the sole & exclusive property of Flomatic Corporation. Any reproduction, distribution, display or use of these drawings or information in whole or in part without written authorization of Flomatic Corporation is strictly prohibited. www.flomatic.com

Air Release Valve

Sizes 2" thru 6" / 50mm thru 150mm

Materials

Backflush is optional and shown for reference only.



Optional Backflush			
Item #	Description	Material	ASTM
OP1	Backflush Assembly	Reinforced Nylon w/ Plated Steel	-----
OP2	Blow-Off Nipple	Steel	A53
OP3	Inlet Nipple*	Steel	A53
OP4	Blow Off Shut-Off Valve	Brass	N/A
OP5	Inlet Shut-Off Valve	Brass	N/A

*6" No nipple - flange & gasket use

Dimensions

Valve Size		Part #	NPT OP2	Weight	
inch OP3	mm			lbs	kg
2	50	BF2	1"	12	6
3	75	BF3	1"	17	9
4	100	BF4	1"	29	6
6*	150*	BF6*	1"	140	64

*6" Inlet Shut-Off Valve is 125# flanged.

When ordering backflush kit, size must match the air release valve inlet size.

Flomatic Corporation can accept no responsibility for possible errors in catalogues, brochures and other printed material. Flomatic Corporation reserves the right to alter its products without notices. This also applies to product already agreed. All trademarks in this material are property of the respective companies. All rights reserved. ©2022 Flomatic Corporation. The drawings & information on this drawing sheet are the sole & exclusive property of Flomatic Corporation. Any reproduction, distribution, display or use of these drawings or information in whole or in part without written authorization of Flomatic Corporation is strictly prohibited. www.flomatic.com