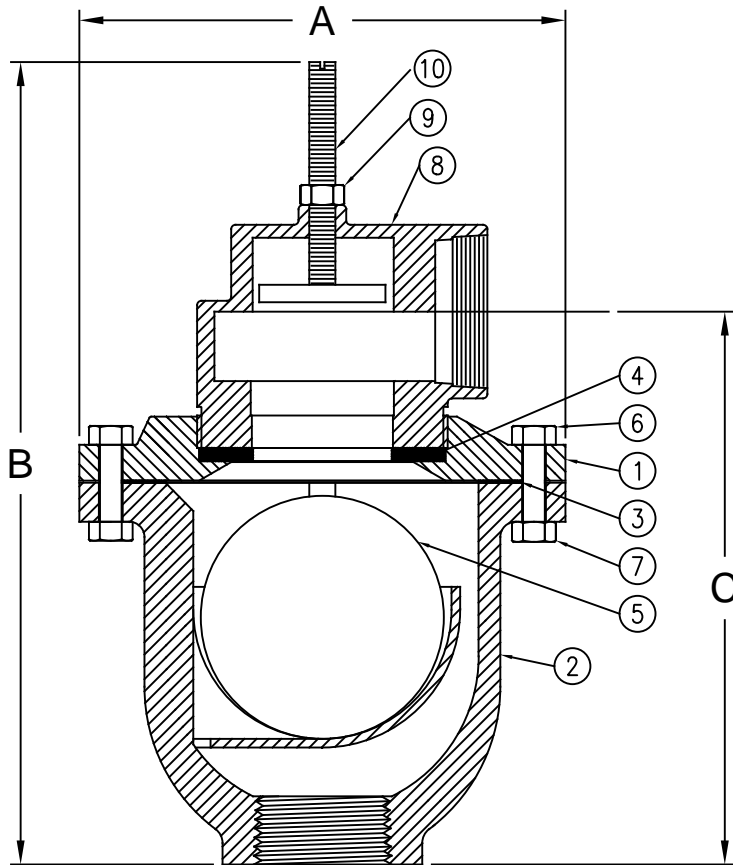


Air Release Valve

Sizes 1/2" thru 3" / 15mm thru 75mm



Materials



*Standard operating pressure is:
minimum 20 psig & maximum 150 psig.
Consult factory for pressure outside this range.

Item #	Description	Material	ASTM	Item #	Description	Material	ASTM
1	*Flange	Cast Iron	A126	6	Bolt	Steel	J429
2	*Body	Cast Iron	A126	7	Nut	Steel	A563
3	Gasket	Armstrong	N-8090	8	*Top	Cast Iron	A126
4	Seat	Buna-n	----	9	Nut	Steel	A563
5	Float	Stainless Steel	A240	10	Stem	Steel	A307/A36

*Optional Material Ductile Iron

Dimensions

Max. Temp 150°F (65C)
Max. Inlet Pressure 150 psi (10 bar)

Size		Part #	ØA		B		C		INLET SIZE		OUTLET SIZE		Weight	
inch	mm		inch	mm	inch	mm	inch	mm	inch	mm	inch	mm	lbs	kg
1/2	15	6560	4-3/4	121	7	178	5	127	1/2	15	1/2	15	8	4
1	25	6561	6-1/4	159	9-1/4	235	6-3/8	162	1	25	1	25	18	8
2	50	6562	8-3/4	222	14-1/4	362	10-1/2	267	2	50	2	50	50	23
3	75	6563	11-1/2	292	19-7/8	505	13	330	3	75	3	75	109	50

Meets AWWA C512

Flomatic Corporation can accept no responsibility for possible errors in catalogues, brochures and other printed material. Flomatic Corporation reserves the right to alter its products without notices. This also applies to product already agreed. All trademarks in this material are property of the respective companies. All right reserved. ©2018 Flomatic Corporation. The drawings & information on this drawing sheet are the sole & exclusive property of Flomatic Corporation. Any reproduction, distribution, display or use of these drawings or information in whole or in part without written authorization of Flomatic Corporation is strictly prohibited. www.flomatic.com